

Technical Data

Specifications & Capacities

218|V

Lattice Crawler Crane
110 Ton (100 metric ton)



CAUTION: This material is supplied for reference use only. Operator must refer to in-cab Crane Rating Manual and Operator's Manual to determine allowable crane lifting capacities and assembly and operating procedures.

Table Of Contents

Upper Structure	1
Frame	1
Engine	1
Hydraulic System	1
Load Hoist Drums	1
Optional Front–Mounted Third Hoist Drum	1
Optional Rear–Mounted Fourth Hoist Drum	2
Boom Hoist Drum	2
Swing System	2
Counterweight	2
Operator Cab	2
Rated Capacity Limiter System	2
Boom Hoist System	2
Machinery Cab	3
Catwalks	3
Lower Structure	3
Carbody	3
Side Frames	3
Travel and Steering	3
Attachment and Options	4
Conventional Tube Boom	4
Tube Jib	4
Auxiliary Tip Extension	4
Dimensions	5
Base Crane	7
Side Frames	7
Upper Counterweights	8
Carbody Counterweights	8
Boom	9
Jib	10
Hook Balls	11
Hook Blocks	11
Working Weights	12
Transport Weights	13
Transport Drawings – Tube Boom	14
Load Hoist Performance	16
Attachments	17
Main Boom Make–up	18
Main Boom Working Range Diagram	19
Main Boom Load Chart	20
Jib Attachment Make–up	22
Jib Attachment Working Range Diagram	23
Jib Attachment Load Charts	24

Upper Structure

Frame

All welded steel frame with precision machined surfaces for mating parts.

Turntable Bearing

- Inner race with internal swing gear is bolted to lower frame.
- Outer race is bolted to upper frame.

Engine

Engine

Full pressure lubrication, oil filter, air cleaner, hour meter, throttle, and electric control shutdown.

Cummins QSB6.7 Stage V

Number of cylinders	6
Bore and stroke	4.21 in x 4.88 in (107 x 124mm)
Piston displacement	408 in ³ (6.8L)
Engine rpm at full load speed	2,000 rpm
Hi-idle rpm	2,000 rpm
Gross engine hp	280 hp (209kw)
Peak torque	950 ft lb (1,300 Nm) @ 1,500 rpm
Electrical system	24 volt
Fuel tank capacity	122 gal (460L)
Batteries	2–12 volt
Block Heater	1

Fuel Tank

Equipped with fuel sight level gauges, flame arrester, and self-closing cap with door lock.

Alternator

Equipped with a large-capacity, 140A alternator.

Hydraulic System

Hydraulic Pumps

The pump arrangement is designed to provide hydraulically powered functions allowing positive, precise control with independent or simultaneous operation of all crane functions.

- Two variable displacement pumps operating at 4,551 psi (320kg/cm²) and 74 gal/min (280L/min) powers load hoist drums, boom hoist drum, optional 3rd drum, optional 4th drum, and travel.
- One variable displacement pump operating at 3,983 psi (280kg/cm²) and 42.3 gal/min (160L/min) powers the swing motors, counterweight removal, self assembly, side frame extend/retract.
- Two fixed displacement gear type pump operating at 99.6 psi (7kg/cm²) and 10.8 gal/min (41L/min) powers hoist brake cooling.
- One fixed displacement gear type pump operating at 1,422 psi (100kg/cm²) and 10.8 gal/min (41L/min) powers the pilot control system, clutches, brakes, and pump controls.

Hydraulic Reservoir

84 gal (318L), equipped with sight level gauge. Diffusers built in for deaeration.

Filtration

Ten micron, full flow, line filter in the control circuit. All oil is filtered prior to entering the reservoir.

Counterbalance Valves

All hoist motors are equipped with counterbalance valves to provide positive load lowering and prevent accidental load drop if the hydraulic pressure is suddenly lost.

Load Hoist Drums

Each drum contains an axial piston, variable speed hydraulic motor with individual automatic winch motor brakes. Power flow is directed through a patented, semi-outboard mounted, wet style multi-disc brake. The brake is mounted on the output side of the planetary, which greatly reduces drag associated with most wet style brakes in free-fall mode.

- Power up/down & free-fall operation modes
- Automatic brake mode (spring applied, hydraulically released, wet type brake)
- Drum lagging grooved for wire rope
- Drum pawl controlled manually
- Electronic drum rotation indicators
- Mounted on anti-friction bearings
- 21.81 in (0.55m) root diameter
- 37.81 in (0.96m) flange diameter
- 25.25 in (0.64m) width

The free-fall operation mode is designed to prevent load lowering even if the free-fall switch is accidentally activated.

The automatic brake mode meets all OSHA requirements for personnel handling.

Optional Front-Mounted Third Hoist Drum

The hydraulic winch is pinned to the front of the upper frame and is used in conjunction with a fleeting sheave and 3-sheave idler assembly to run the wire rope over the boom top section.

- Controlled free spooling capability for pile driving applications
- 12.75 in (0.32m) root diameter
- 22.75 in (0.58m) flange diameter
- 17 in (0.43m) width
- Mounted on anti-friction bearings
- 0.75 in (19mm) grooved lagging

Optional Rear—Mounted Fourth Hoist Drum

Drum contains an axial piston, variable speed hydraulic motor with individual automatic winch motor brakes. Power flow is directed through a patented, semi—outboard mounted, “wet” style multi—disc brake.

- Power up/down & free—fall operation modes
- Automatic brake mode (spring applied, hydraulically released, wet type brake)
- Drum lagging grooved for wire rope
- Drum pawl controlled manually
- Electronic drum rotation indicators
- Mounted on anti—friction bearings
- 21.50 in (0.54m) root diameter
- 40.94 in (1.04m) flange diameter
- 24.63 in (0.62m) width
- Pins to rear of upper frame
- Plumbing and valving standard with main unit

The free—fall operation mode is designed to prevent load lowering even if the free—fall switch is accidentally activated.

The automatic brake mode meets all OSHA requirements for personnel handling.

Boom Hoist Drum

Contains a pilot controlled, bi—directional, axial piston motor and a planetary gear reduction unit to provide positive control under all load conditions.

- Spring applied, hydraulically released, disc type brake controlled automatically
- Drum lagging grooved for wire rope
- Drum pawl controlled automatically
- Mounted on anti—friction bearings
- 18.35 in (0.47m) root diameter
- 30.40 in (0.77m) flange diameter
- 11.16 in (0.28m) width

Swing System

Pilot controlled bi—directional axial piston motors and planetary gear reduction units to provide positive control under all load conditions.

- Spring applied, hydraulically released, 360° multi—plate brake
- Free swing mode when lever is in neutral position
- Four position positive house lock
- Two—speed swing
- Audio/Visual swing alarm
- Maximum swing speed is 2.5 rpm

Counterweight

Consists of a four—piece design that can be easily lowered to the ground using the removal cylinders.

- “A” upper counterweight consists of one base slab and two installation cylinders, 30,330 lb (13,760kg)
- “B” upper counterweight consists of two wing weights
Left:9,410 lb (4,270kg)
Right:9,440 lb (4,280kg)
- “C” upper counterweight consists of two wing weights
Left:9,410 lb (4,270kg)
Right:9,440 lb (4,280kg)
- Two carbody counterweights – 15,100 lb (6,850kg) each

Total combined counterweight, “ABC” plus carbody counterweights is 98,230 lb (44 560kg).

Operator Cab

Fully enclosed modular steel compartment is independently mounted and padded to protect against vibration and noise.

- All tinted/tempered safety glass
- Folding hinge entry door and sliding front glass window
- 19,000 BTU hot water heater
- 18,600 BTU air conditioner
- Door and window locks
- Circulating fan
- Sun visor
- Cloth seat
- Defroster
- Windshield wipers and washer
- Dry chemical fire extinguisher
- Engine instrumentation panel (voltmeter, engine oil pressure, engine water temperature, fuel level, hydraulic oil temperature, hour meter, and service monitor system)
- Electronic drum rotation indicators for front and rear hoist drums
- Six way adjustable seat
- Hand and foot throttle
- Ergonomic foot pedals
- Fully adjustable single axis controls
- Swing lever with swing brake and horn located on handle
- Bubble type level
- Ergonomic gauge layout
- Controls shut off lever
- Control stand is adjustable for operator comfort.

Rated Capacity Limiter System

The rated capacity limiter system is a total crane operating system that utilizes a 12 in touch screen color display with geometrical data, engine data, advanced diagnostics and systems monitoring. The system provides the operator with:

- Main Boom Length
- Main Boom Angle
- Jib Length
- Jib Angle
- Operating Mode
- Load Radius
- Boom Tip Height
- List and Trim Angle
- Swing Angle
- Audible Alarm
- Pre—Warning Light
- Overload Light
- Load On Hook
- Live ground bearing pressure
- Function kick—outs including over load
- Operator settable stops (ramped stops)
- Anti—Two Block Indicator
- Boom hoist dead end load cell (no lineriders)
- Engine Monitoring

Boom Hoist System

Designed to lift off maximum boom or maximum boom plus jib unassisted. Operates up to a maximum boom angle of 80° for conventional boom. Boom hoist limit system limits maximum boom angle operation.

- Pin on bail frame
- 12—part reeving with 20mm (0.787 in) wire rope
- 22 ft (6.71m) live mast
- Two 1.25 in (32mm) pendants
- Tubular boom backstops (telescopic type)
- Sheaves contain sealed anti—friction bearings
- Boom speed from 10°—70° is 60 seconds with no load. Speed was determined using 110 ft (33.53m) of tube boom

Machinery Cab

Hinged doors (four on right side, five on left side) for machinery access. Storage/rigging box mounted on operator's side of upper house. Equipped with rooftop access ladders and skid resistant finish on roof.

Catwalks

Standard on right and left sides. Catwalks can be folded up or removed for reduced travel width.

Lower Structure

Carbody

Lower Frame

All welded high strength steel [65,000 psi (448.16MPa) yield] box construction frame with precision machined surfaces for turntable bearing and rotating joint.

- 8 ft 10 in (2.69m) overall width
- 11 ft 8 in (3.55m) overall length

Side Frames

All welded, precision machined, steel frames can be hydraulically extended and retracted by a hydraulic cylinder mounted in the lower frame.

- 14 ft 2 in (4.32m) extended gauge
- 9 ft (2.74m) retracted gauge
- 20 ft 6 in (6.25m) overall length
- 36 in (0.91m) wide track shoes
- Sealed (oil filled) drive planetaries
- Compact travel drives

Track Rollers

- Ten sealed (oil filled) track rollers per side frame
- Heat treated, mounted on oil filled anti-friction bearings

Tracks

Heat treated, self-cleaning, multiple hinged track shoes joined by one-piece full floating pins; 53 shoes per side frame

Take Up Idlers

Cast steel, heat treated, self-cleaning, mounted on aluminum/bronze bushings. Lubricated through idler shaft.

- **Track Tension Adjustment** – Idler wheel adjusted by means of hydraulic cylinder and hand pump. Idler wheel shaft held in position with shims after adjustment is made.

Travel and Steering

Each side frame contains a pilot controlled, bi-directional, axial piston motor and a planetary gear reduction unit to provide positive control under all load conditions.

- Individual control provides smooth, precise maneuverability including full counter-rotation.
- Spring applied, hydraulically released disc type brake controlled automatically
- Maximum travel speed is 1.1 mph (1.8km/h).
- Designed to 30% gradeability

Attachment and Options

Conventional Tube Boom 40–230 ft (12.19–70.10m)

Basic Boom

40 ft (12.19m) two-piece design that utilizes a 20 ft (6.10m) base section and a 20 ft (6.10m) open throat, quick reeve, top section with in-line connecting pins on 60 in (1.52m) wide and 50 in (1.27m) deep centers.

- Boom foot on 55.12 in (1.40m) centers
- 3 in (7.62cm) diameter chords
- Lugs on base section for self assembly and boom assembly
- Permanent skid pads mounted on top section to protect head machinery
- Four, 21.53 in, (54.69cm) root diameter polyamide sheaves mounted on sealed anti-friction bearings
- Tip extension and jib connecting lugs on top section
- Mechanical boom angle indicator
- Self assembly cylinder – optional

Tube Boom Extensions

The following table provides the lengths available and the suggested quantity to obtain maximum boom in 10 ft (3.05m) increments. Midpoint pendant connections are required at 100 ft (30.48m) for boom lengths of 210 ft (64.01m), 220 ft (67.06m), and 230 ft (70.10m).

- Polyamide wear blocks on top of each extension

Tube Boom Extensions		Quantity For Max Boom
ft	m	
10	3.05	1
20	6.10	2
30	9.14	2
40	12.19	2

- Maximum tip height of 233 ft 11 in (71.30m)
- Boom connecting pins storage on each extension
- Wire rope pendant storage on each extension

Tube Jib 30–75 ft (9.14–22.86m)

Basic Tube Jib

30 ft (9.14m) two-piece design that utilizes a 15 ft (4.57m) base section and a 15 ft (4.57m) quick reeve top section with in-line connecting pins on 32 in (0.81m) wide and 24 in (0.61m) deep centers.

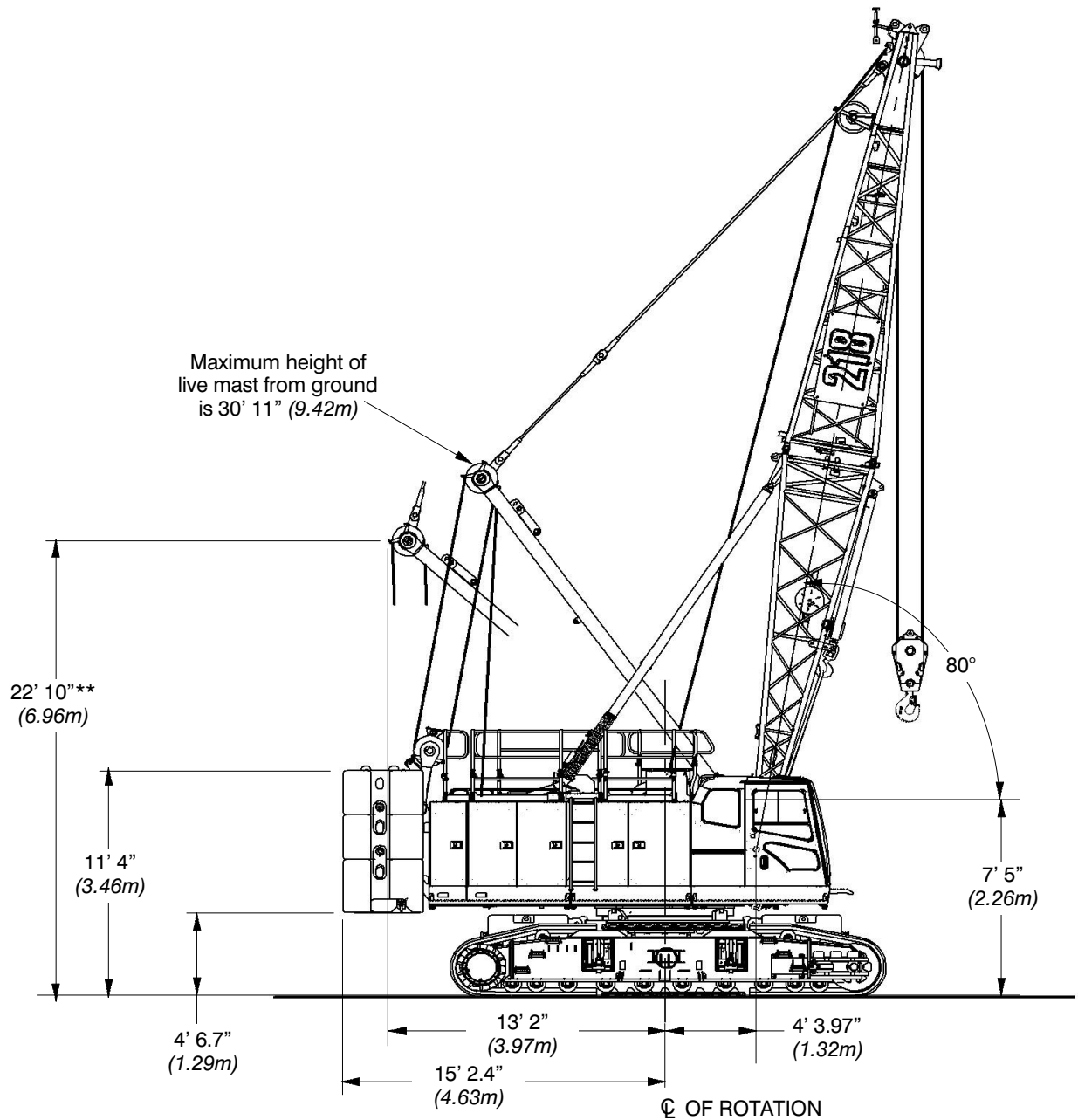
- 2 in (50.8mm) diameter chords
- One 18.50 in (0.47m) root diameter steel sheave mounted on sealed anti-friction bearings
- 15 ft (4.57m) jib extensions provide jib lengths of 45 ft (13.72m), 60 ft (18.29m), and 75 ft (22.86m).
- Jib offset angles at 5°, 15°, and 25°
- The maximum tip height of boom + jib [200 ft + 75 ft (60.96 + 22.86m)] is 278 ft. 7 in (84.92m).

Auxiliary Tip Extension

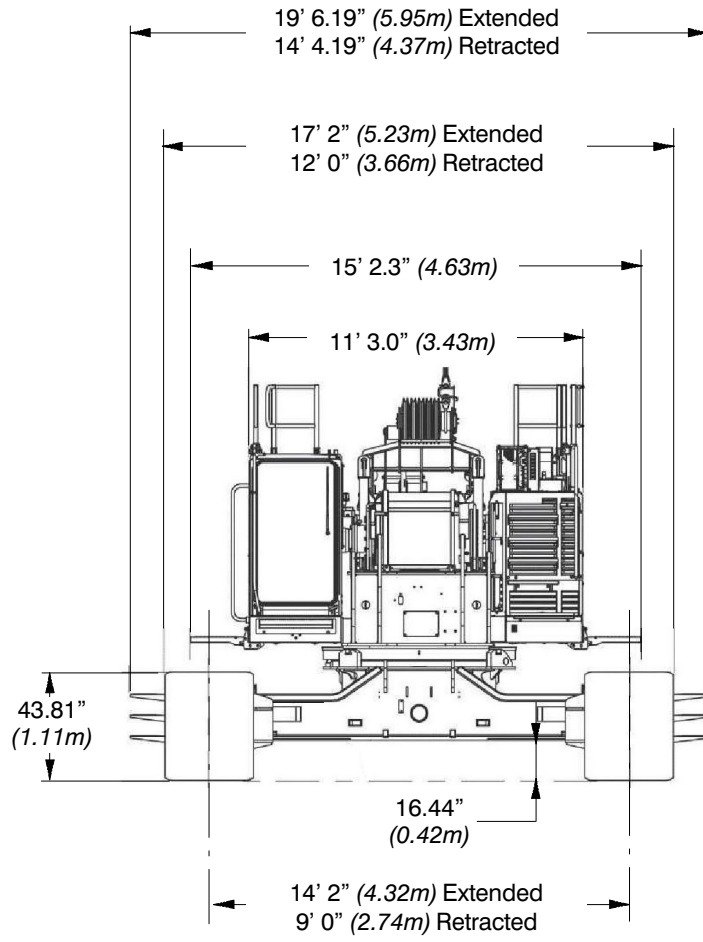
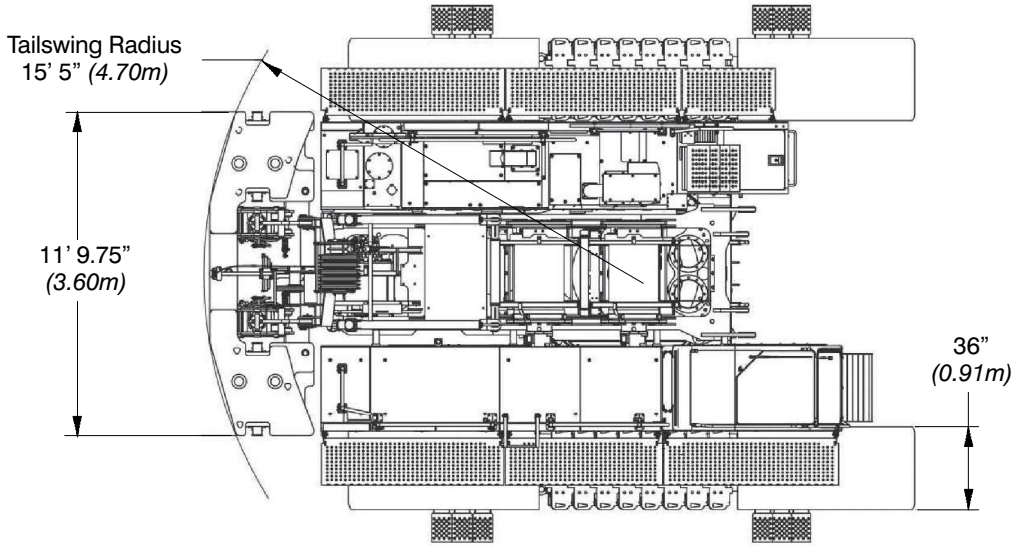
Designed to use in place of jib to provide clearance between working hoist lines. The extension is equipped with two nylon 18 in (45.72cm) root diameter sheaves mounted on sealed anti-friction bearings. Maximum capacity is 18.5 Ton (16.78mt).

Dimensions

General Dimensions	English	Metric
Basic Boom	40 ft	12.19m
Minimum Load Radius	11.28 ft	3.44m
Maximum Boom Angle	80°	80°
Track Shoe Width	36 in	0.91m



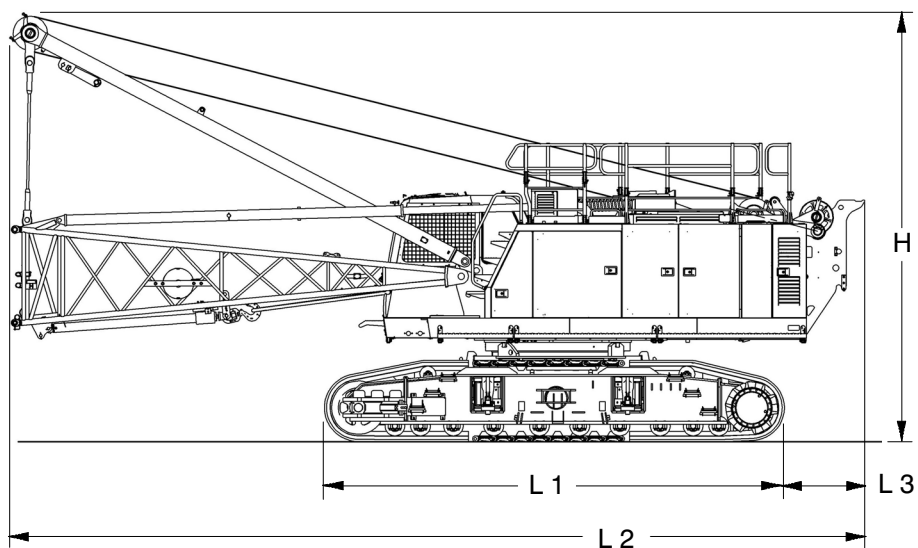
Note: **@ Maximum boom angle (80°) with maximum boom [230 ft (70.1m)], maximum rotation radius occurs.



Base Crane

Base Crane 1

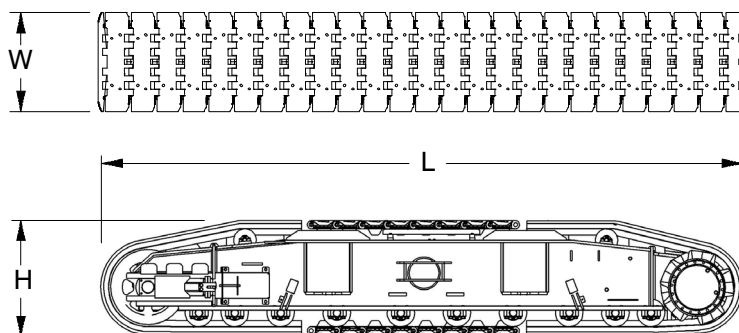
Length 1	20 ft 6.25 in	(6.25m)
Length 2	38 ft 3.06 in	(11.66m)
Length 3	3 ft 7 in	(1.09m)
Height	19 ft 1.93 in	(5.84m)
Weight:	99,960 lb	(45 341kg)



Side Frames

Side Frames 2

Length	20 ft 6.25 in	(6.25m)
Width	36 in	(0.91m)
Height	43.81 in	(1.11m)
Weight	18,430 lb	(8 358kg)

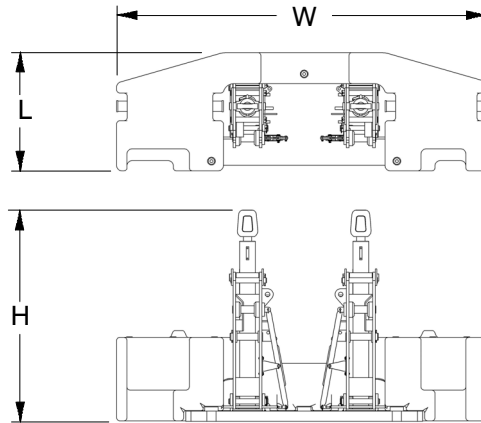


Number inside black circle “1” = # of components

Upper Counterweights

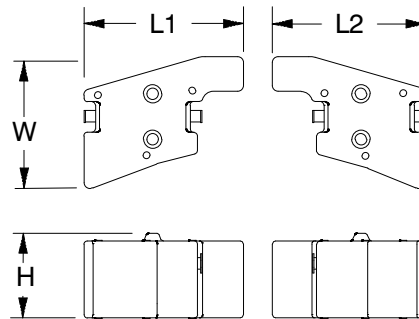
“A” Slab Counterweight ①

Length	45.44 in	(1.15m)
Width	11 ft 9.75 in	(3.60m)
Height	6 ft 9 in	(2.06m)
Weight	30,330 lb	(13 760kg)



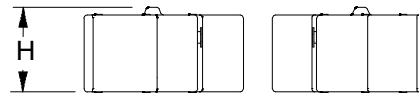
“B” Wing Counterweights ②

Length 1	55.12 in	(1.40m)
Length 2	53 in	(1.35m)
Width	45.44 in	(1.15m)
Height	29.44 in	(0.75m)
Weight	9,410 lb	(4 268kg)



“C” Wing Counterweights ②

Length 1	55.12 in	(1.40m)
Length 2	53 in	(1.35m)
Width	45.44 in	(1.15m)
Height	29.44 in	(0.75m)
Weight	9,410 lb	(4 268kg)

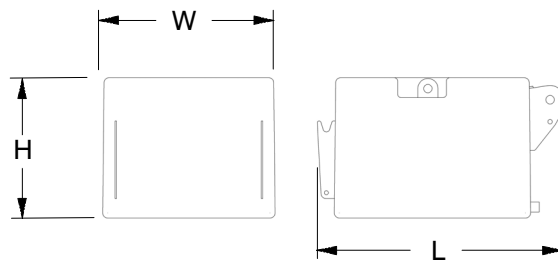


Carbody Counterweights

Carbody Counterweights ②

Length	57.81 in	(1.47m)
Width	40.33 in	(1.02m)
Height	32.75 in	(0.83m)
Weight	15,100 lb	(6 850kg)

Number inside black circle “①” = # of components



Boom

60 in (1.52m) x 50 in (1.27m)

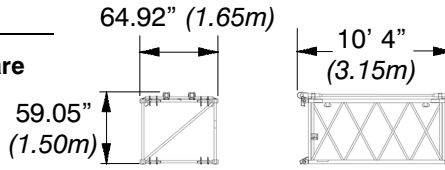
Tube Boom

Extensions

Weights include pendants and hardware

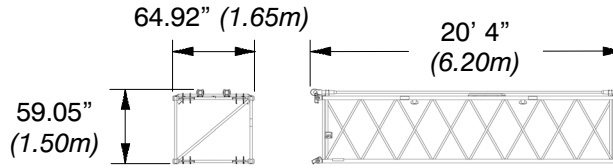
10 ft (3.05m) Extension

Weight: 829 lb (376kg)



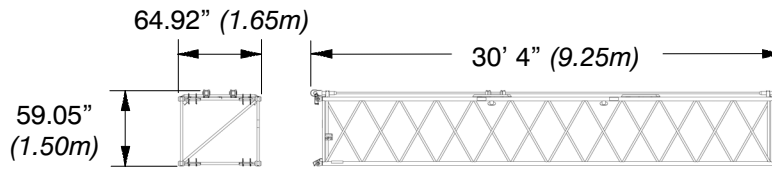
20 ft (6.10m) Extension

Weight: 1,332 lb (604kg)



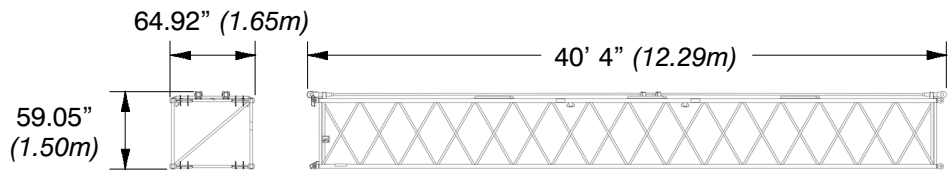
30 ft (9.14m) Extension

Weight: 1,826 lb (828kg)



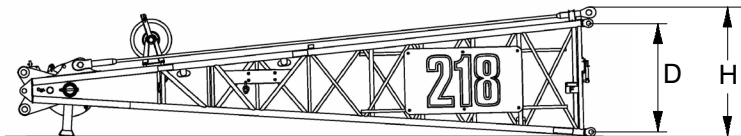
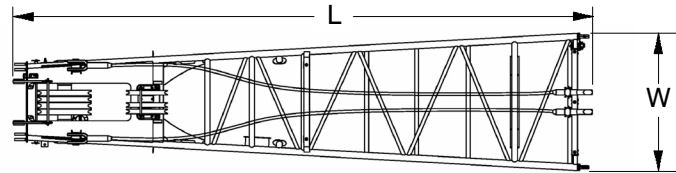
40 ft (12.19m) Extension

Weight: 2,322 lb (1,053kg)



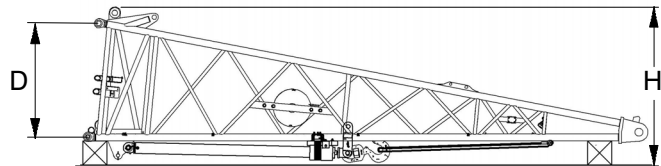
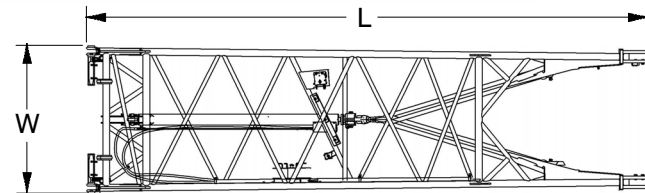
20 ft (6.10m) Tube Boom Top Section

Length	22 ft 2 in	(6.76m)
Width	63.12 in	(1.60m)
Deep	50 in	(1.27m)
Height	59.5 in	(1.51m)
Weight	2,327 lb	(1,056kg)



20 ft (6.10m) Tube Boom Base Section

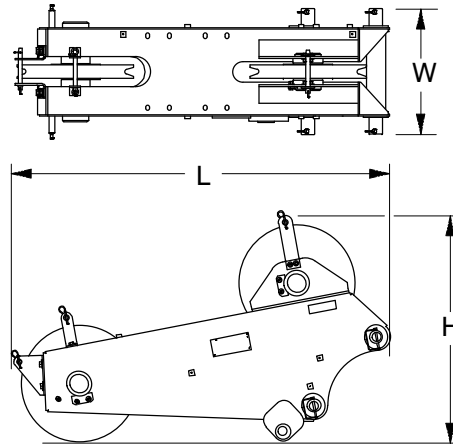
Length	20 ft 7.5 in	(6.29m)
Width	64.88 in	(1.65m)
Deep	50 in	(1.27m)
Height	67 in	(1.70m)
Weight		
w/o Self Assembly	1,747 lb	(792kg)
w/ Self Assembly	2,091 lb	(948kg)



Number inside black circle "1" = # of components
* - Optional equipment

Auxiliary Tip Extension* ①

Length	70.35 in	(1.79m)
Width	24.50 in	(0.62m)
Height	43.81 in	(1.11m)
Weight	720 lb	(327kg)

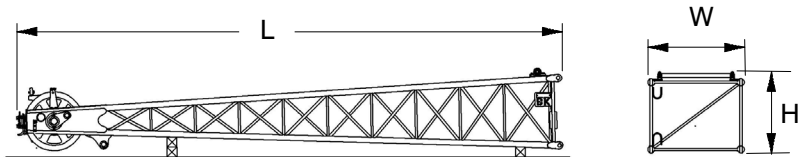


Jib

15 ft (4.57m) Jib Top Section* ①

Length	16 ft 2.50 in	(4.94m)
Width	34.50 in	(0.88m)
Height	28.75 in	(0.73m)
Weight†	493 lb	(223kg)

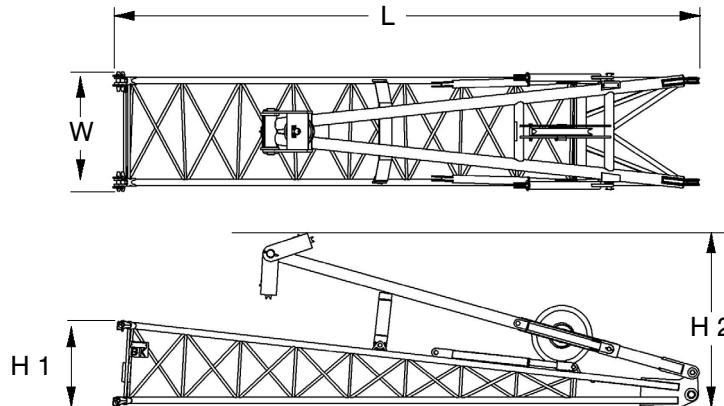
† Weight includes pendants and hardware.



15 ft (4.57m) Jib Base Section* ①

Length	15 ft 3.50 in	(4.66m)
Width	34.50 in	(0.88m)
Height 1	26.50 in	(0.67m)
Height 2	54.50 in	(1.38m)
Weight†	1,106 lb	(502kg)

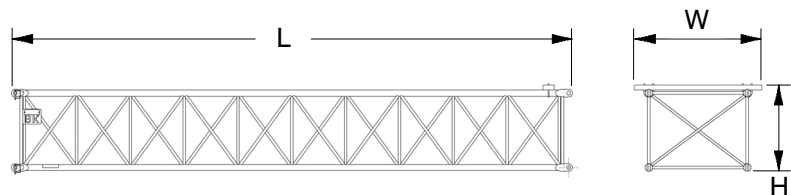
† Weight includes pins, basic frontstay & backstay pendants, and hardware.



15 ft (4.57m) Jib Extension* ①

Length	15 ft 2.50 in	(4.64m)
Width	41.50 in	(1.05m)
Height	28.25 in	(0.72m)
Weight†	330 lb	(150kg)

† Weights includes pins, pendants, and hardware.



Number inside black circle "①" = # of components

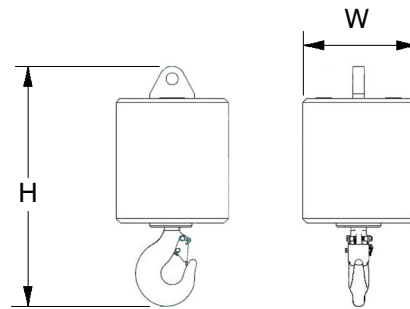
* - Optional equipment

Hook Balls

15 Ton (13.6mt) Swivel

Hook Ball* 1

Width	15.75 in	(0.40m)
Height	33.78 in	(0.86m)
Weight	996 lb	(452kg)

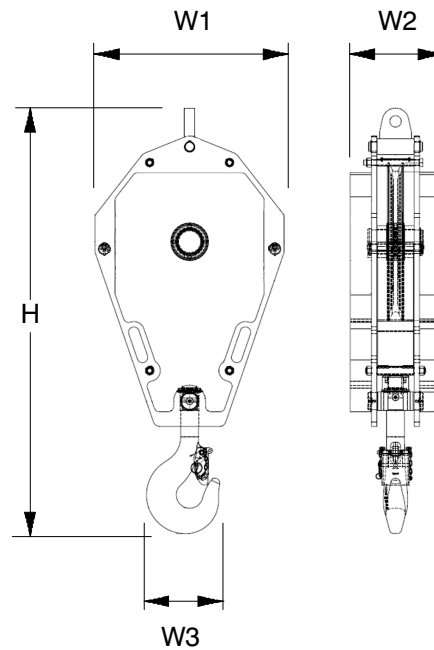


Hook Blocks

30 Ton (27.2mt)

1-Sheave Quick Reeve Hook Block* 1

Width1	13.38 in	(0.34m)
Width2	27.44 in	(0.71m)
Width3	10.03 in	(0.25m)
Height	63.06 in	(1.60m)
Weight	1,700 lb	(771kg)

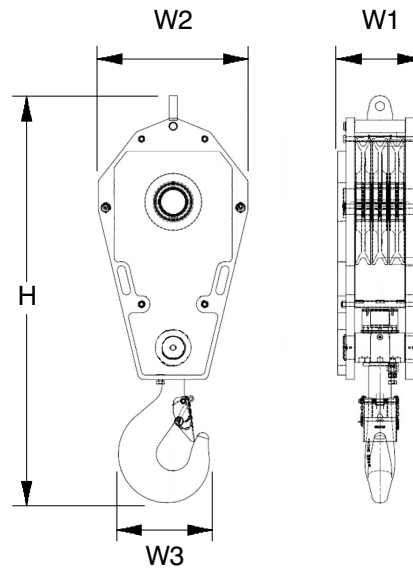


Number inside black circle “1” = # of components

* – Optional equipment

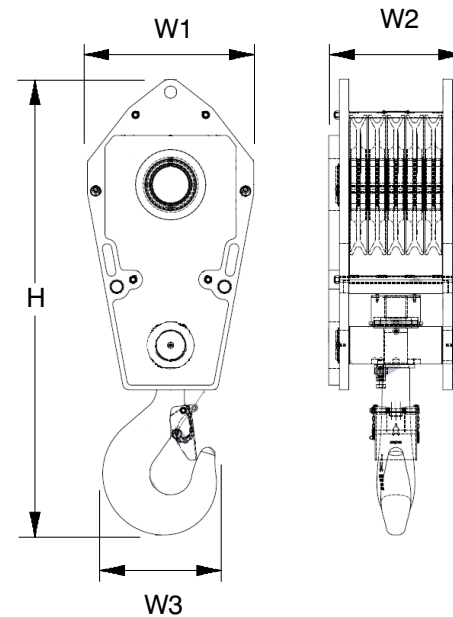
90 Ton (81.8mt)
3-Sheave Quick Reeve Hook
Block* ①

Width1	15.81 in	(0.40m)
Width2	27.94 in	(0.71m)
Width3	15.75 in	(0.4m)
Height	75.88 in	(1.93m)
Weight	2,400 lb	(1 091kg)



130 Ton (118.2mt)
5-Sheave Quick Reeve Hook
Block* ①

Width1	22.50 in	(0.57m)
Width2	27.94 in	(0.71m)
Width3	18.26 in	(0.46m)
Height	76.56 in	(1.95m)
Weight	3,300 lb	(1 500kg)



Number inside black circle “①” = # of components
 * – Optional equipment

Working Weights

Based on basic crane including Cummins QSB6.7 Stage V diesel engine, turntable bearing, live mast, 12 part boom hoist reeving, backstops, crawler lower with 36 in (0.91m) wide track shoes, sealed track rollers, and catwalks, plus the following:	Ctwt “A+0”	Ctwt “AB+0”	Ctwt “ABC+A”
	lb (kg)	lb (kg)	lb (kg)
Lifting crane – includes 40 ft (12.19m) basic tube, self assembly cylinder, 700 ft (213.36m) of 26mm type “KC” hoist rope, 650 ft (198.12m) of 26mm type “KC” hoist rope, 130 Ton (117.9mt) 5-sheave hook block, and basic pendants.	136,570 (61 947)	155,420 (70 497)	204,470 (92 746)
Average Ground Bearing Pressure	psi	9.0	10.2
	kPa	62.1	70.3
		13.4	92.4

Transport Weights

Base Crane: Boom Base Section, Self Assembly Cylinder, Telescoping Boom Backstops, 60 gal (228L) Of Fuel, 23 gal (87L) DEF, Catwalks, Side Frames, 22' (6.7m) Live Mast, 12–part Boom Hoist Reeving, 700' (265.18m) Of Type "KC" Front Hoist Rope, 650' (198.12m) Of Type "KC" Rear Hoist Rope.

Item Description	Gross Weight		Transport Loads				
	lb	kg	#1	#2	#3	#4	#5
Base Crane	99,960	45 341	1				
Base Counterweight w/Cylinders	30,330	13 760		1			
Add Upper Counterweight Wing (Right)	9,440	4 280			1		1
Add Upper Counterweight Wing (Left)	9,410	4 270				1	1
Add Lower Counterweight	15,100	6 850			1	1	
Add Hydraulic 3rd Drum Without Wire Rope	1,850	839					
Add Hydraulic 4th Drum Without Wire Rope	4,405	1 998					
Add 20' (6.1m) Tube Top Section	2,327	1 056		1			
Add 10' (3.05m) Tube Extension With Pins And Pendants	829	376					1
Add 20' (6.1m) Tube Extension With Pins And Pendants	1,332	604					2
Add 30' (9.14m) Tube Extension With Pins and Pendants	1,826	828			1	1	
Add 40' (12.19m) Tube Extension With Pins And Pendants	2,322	1 053			1	1	
Add 15' (4.6m) Tube Jib Base Section	1,106	502					1
Add 15' (4.6m) Tube Jib Top Section	493	223		1			1
Add 15' (4.6m) Tube Jib Extension With Pins And Pendants	330	150		3			
Add 5' (1.5m) Auxiliary Tip Extension	720	327					
Add Pile Driver Lead Adaptor	198	90					
Add 3rd Drum Wire Rope – 0.75" X 550' Type "DB"	572	259					
Add 4th Drum Wire Rope – 26mm X 620' Type "DB"	1,203	546					
Add 15 – ton (13.6mt) Hook Ball – Swivel	996	452					
Add 30–ton (27.2mt) 1 Sheave Hook Block	1,700	771					
Add 90–ton (81.6mt) 3 Sheave Hook Block	2,400	1 089					
Add 130–ton (117.9mt) 5 Sheave Hook Block	3,300	1 497					1
Remove Front Hoist Wire Rope – 26mm X 700' Type "KC"	–1,541	–699					
Remove Jib Wire Rope – 26mm X 650' Type "KC"	–1,431	–649					
Remove Catwalks	–438	–199					
Remove 60 gal (228L) Of Fuel	–412	–187					
Remove Self Assembly Cylinder	–344	–156					
Remove Boom Backstops	–1,331	–604					
Remove Tube Base Section	–1,747	–792					
Approximate Total Shipping Weight	lb		99,960	34,140	28,688	28,658	26,749
	kg		45 341	15 486	13 013	12 999	12 133

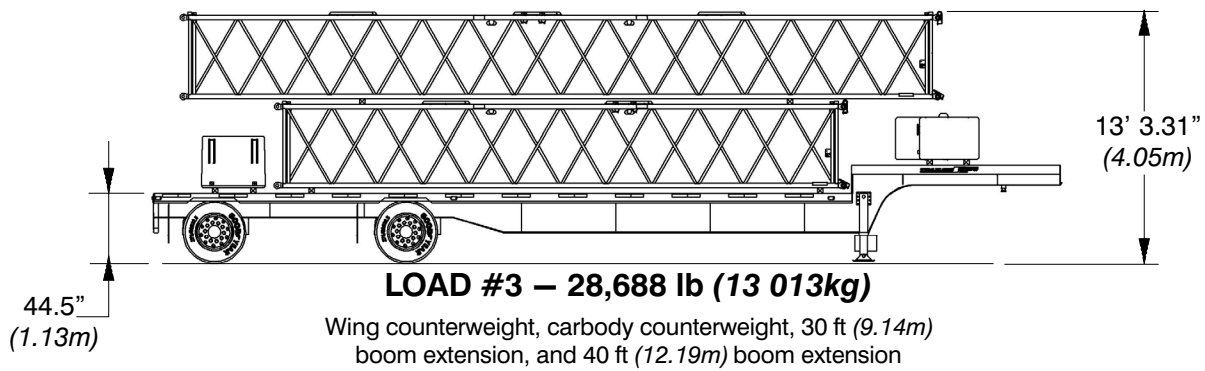
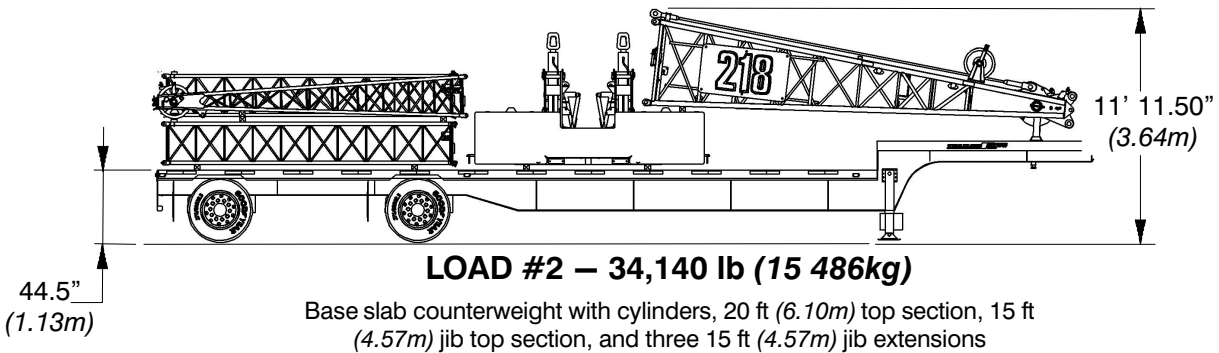
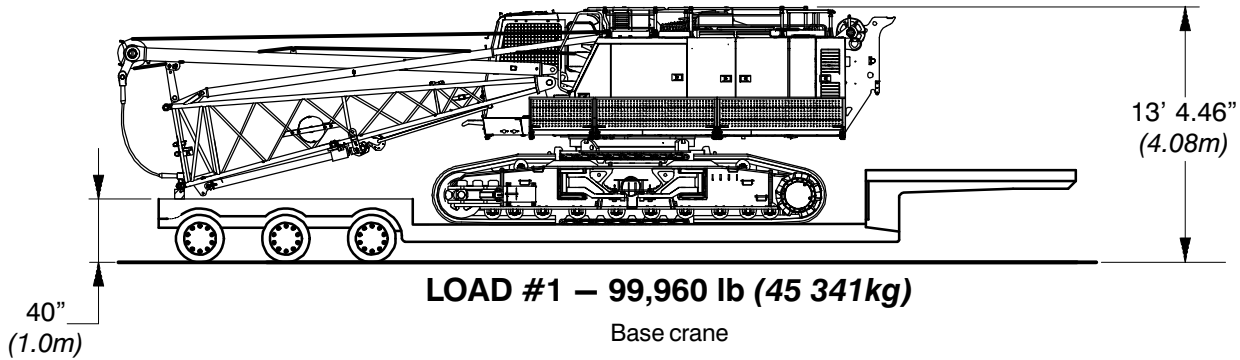
Notes:

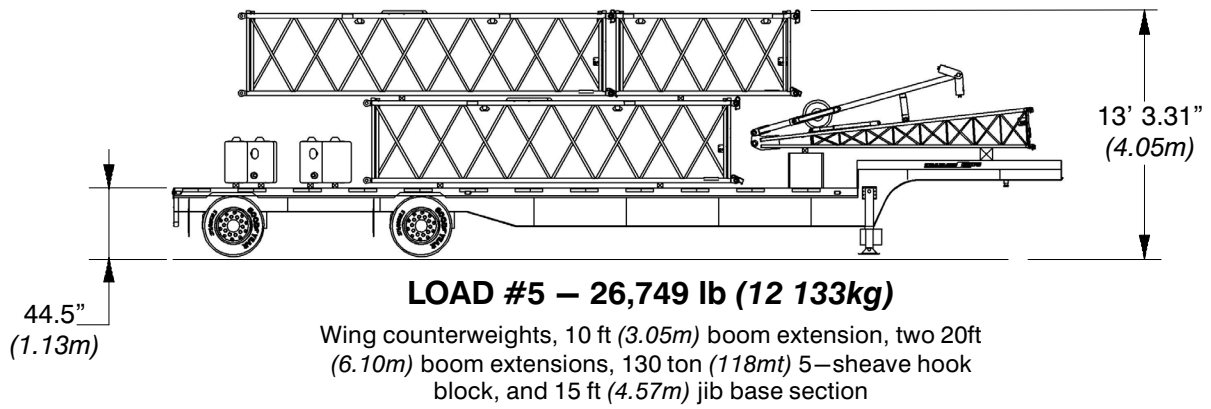
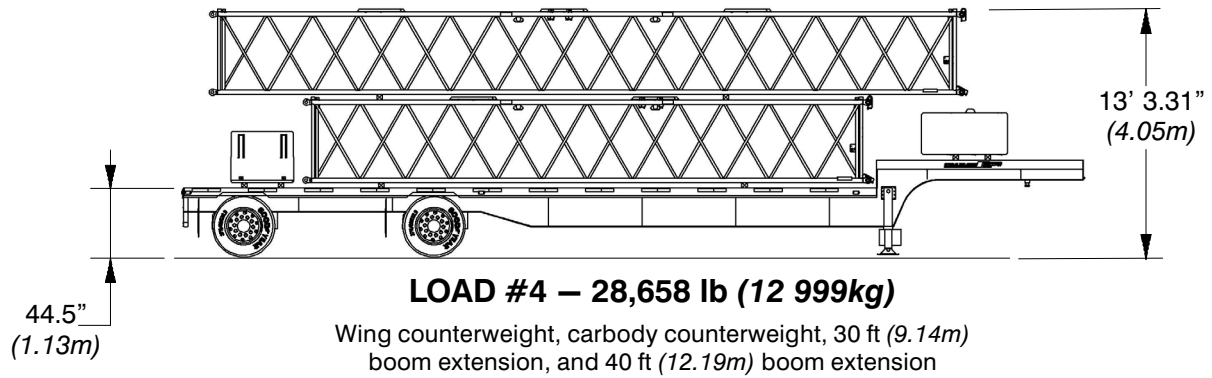
Estimated weights vary by \pm 2%. Numbers in the load columns (numbers 1–5) represent quantities.

Estimated transport loads assume the load out consist of 230' (70.1m) of tube boom and 75' (22.86m) of jib with full counterweight.

Support loads were targeted at 45,000 lb (20 412kg), 8' 6" (2.6m) wide, 48' (14.6m) long, and 13' 6" (4.1m) high using a drop deck trailer. This may vary depending on state laws, empty truck/trailer weights, and style of trailer.

Transport Drawings





Load Hoist Performance

Front or Rear Drum – 26mm (1.02in) Wire Rope

Rope Layer	Maximum Line Pull		Normal Line Speed		High Line Speed		Pitch Diameter		Layer		Total	
	lb	kg	ft/min	m/min	ft/min	m/min	in	mm	ft	m	ft	m
1	44,565	20 214	241	73	379	115	22.8	580	137.5	41.9	137.5	41.9
2	40,898	18 551	263	80	413	125	24.9	632	148.0	45.1	285.5	87.0
3	37,789	17 141	285	86	447	136	26.9	684	158.5	48.3	444.0	135.3
4	35,119	15 930	306	93	481	146	29.0	736	169.0	51.5	612.9	186.8
5	32,801	14 879	328	100	515	157	31.0	788	179.5	54.7	792.4	241.5
6	30,771	13 958	350	106	549	167	33.1	840	190.0	57.9	982.4	299.4
7	28,977	13 144	371	113	583	177	35.1	892	200.4	61.1	1 182.8	360.5

Rear Mounted Fourth Drum – 26mm (1.02in) Wire Rope

Rope Layer	Maximum Line Pull		Normal Line Speed		High Line Speed		Pitch Diameter		Layer		Total	
	lb	kg	ft/min	m/min	ft/min	m/min	in	mm	ft	m	ft	m
1	44,565	20 214	120	36	241	73	22.8	580	119.6	36.4	119.6	36.4
2	40,898	18 551	131	40	263	80	24.9	632	128.7	39.2	248.2	75.7
3	37,789	17 141	142	43	284	86	26.9	684	137.8	42.0	386.1	117.7
4	35,119	15 930	153	46	306	94	29.0	736	146.9	44.8	533.0	162.5
5	32,801	14 879	164	50	328	100	31.0	788	156.1	47.6	689.0	210.0

Boom Hoist Drum – 20mm (0.79in) Wire Rope

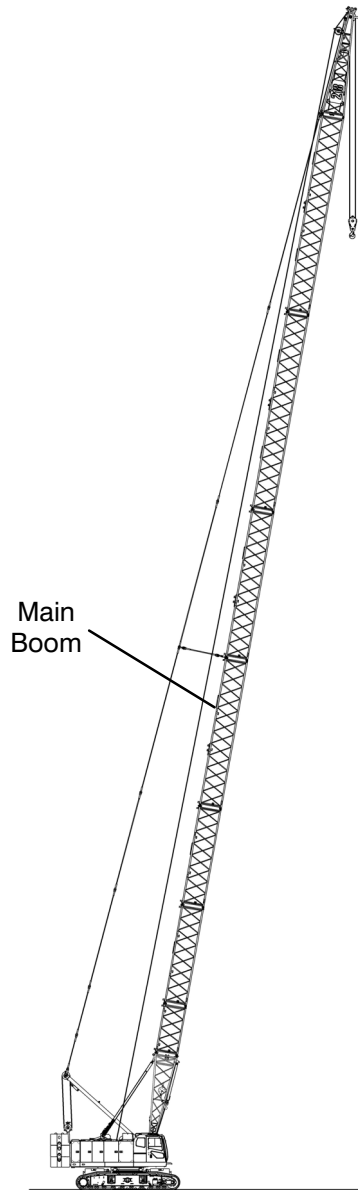
Rope Layer	Maximum Line Pull		Normal Line Speed		Pitch Diameter		Layer		Total	
	lb	kg	ft/min	m/min	in	mm	ft	m	ft	m
1	34,311	15 563	152	46	19.1	486	65.1	19.8	65.1	19.8
2	31,702	14 380	165	50	20.7	526	69.7	21.2	134.8	41.1
3	29,462	13 364	177	54	22.3	566	74.2	22.6	209.0	63.7
4	27,517	12 482	190	58	23.9	606	78.8	24.0	287.8	87.7
5	25,813	11 709	203	62	25.4	646	83.4	25.4	371.2	113.1
6	24,308	11 026	215	66	27.0	686	87.9	26.8	459.1	139.9
7	22,969	10 418	228	69	28.6	726	92.5	28.2	551.6	168.1

Front Mounted Third Drum – 19mm (0.75in) Wire Rope

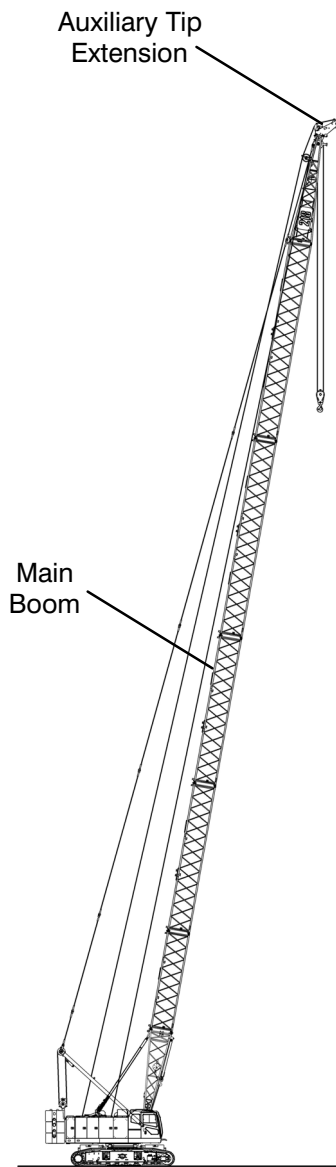
Rope Layer	Maximum Line Pull		Normal Line Speed		Pitch Diameter		Layer		Total	
	lb	kg	ft/min	m/min	in	mm	ft	m	ft	m
1	23,000	10 433	310	95	13.5	343	80	24.4	80	24.4
2	20,700	9 390	344	105	15	381	89	27.1	169	51.5
3	18,820	8 537	379	116	16.5	419	98	29.9	267	81.4
4	17,250	7 825	413	126	18	457	107	32.6	374	114.0
5	15,925	7 224	448	137	19.5	495	116	35.4	490	149.4
6	14,785	6 706	482	147	21	533	124	37.8	614	187.1

Wire Rope Application	Diameter		Type	Max. Permissible Load		Wire Rope Descriptions
	in	mm		lb	kg	
Boom Hoist	0.79	20	DB	18,500	8 391	6 X 26 (6 X 19 Class), Warrington Seale, E.I.P.S., Preformed, Right Regular Lay, I.W.R.C.
Front Drum	1.02	26	KC	29,900	13 562	37 x 7, Category 1, E.E.I.P.S., Right Lang Lay, Galvanized
Rear Drum	1.02	26	KC	29,900	13 562	37 x 7, Category 1, E.E.I.P.S., Right Lang Lay, Galvanized
Fourth Drum (Optional)	1.02	26	DB	30,900	14 016	6 x 26 (6 X 19 Class), Warrington Seale, E.I.P.S., Preformed, Right Regular Lay, I.W.R.C.
Third Drum (Optional)	0.75	19	DB	16,800	7 620	6 X 26 (6 X 19 Class), Warrington Seale, E.I.P.S., Preformed, Right Regular Lay, I.W.R.C.

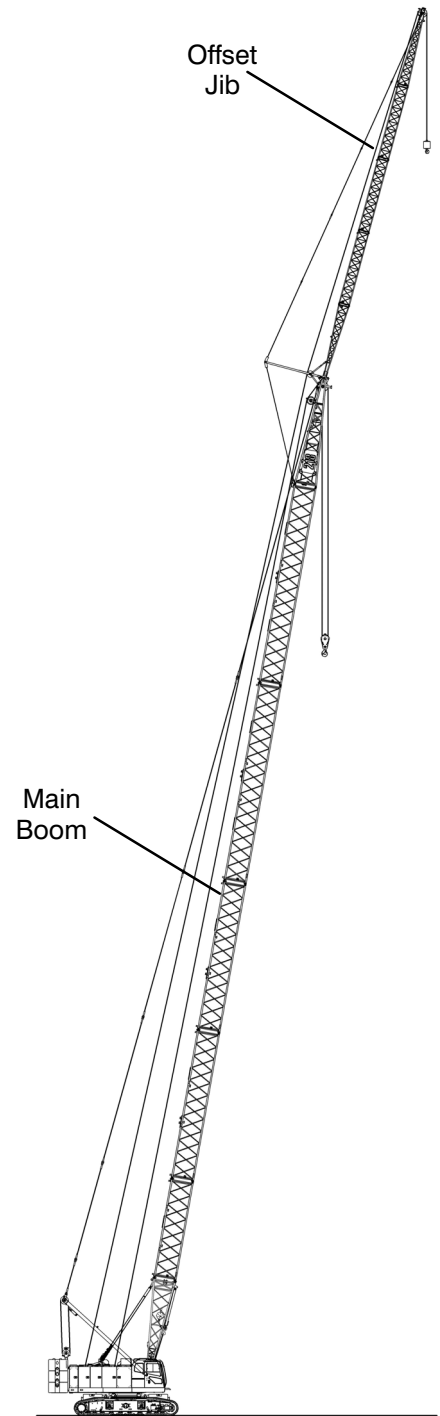
Attachments



**40-230 ft (12.19-70.10m)
Main Tube Boom**



**40-200 ft (12.19-60.96m)
Main Tube Boom With
Auxiliary Tip Extension**



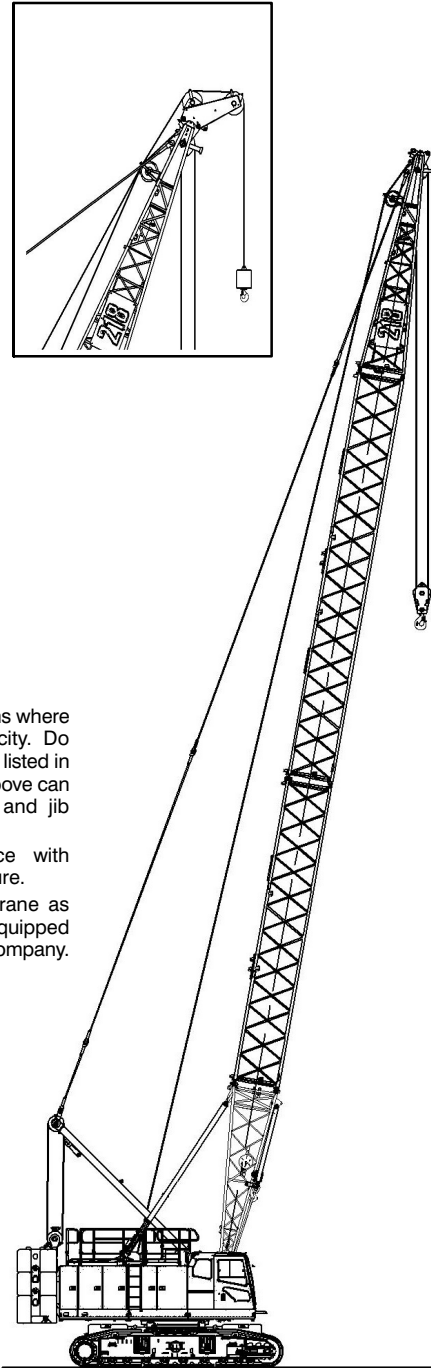
**40-200 ft (12.19-60.96m) Main
Tube Boom With 30-75 ft
(9.14-22.86m) Offset Jib**

Main Boom Make-up

Tube Boom Make-Up

Boom Length ft (m)	Tube Boom Extensions ft (m)			
	10 (3.05)	20 (6.14)	30 (9.10)	40 (12.19)
40 (12.19)				
50 (15.24)	1			
60 (18.29)		1		
70 (21.34)			1	
80 (24.38)				1
90 (27.43)	1			1
100 (30.48)		1		1
110 (33.53)			1	1
120 (36.58)				2
130 (39.62)	1			2
140 (42.67)		1		2
150 (45.72)			1	2
160 (48.77)	1		1	2
170 (51.82)		1	1	2
180 (54.86)	1	1	1	2
190 (57.91)	1		2	2
200 (60.96)		1	2	2
210 (64.01)	1	1	2	2
220 (67.06)		2	2	2
230 (70.10)	1	2	2	2

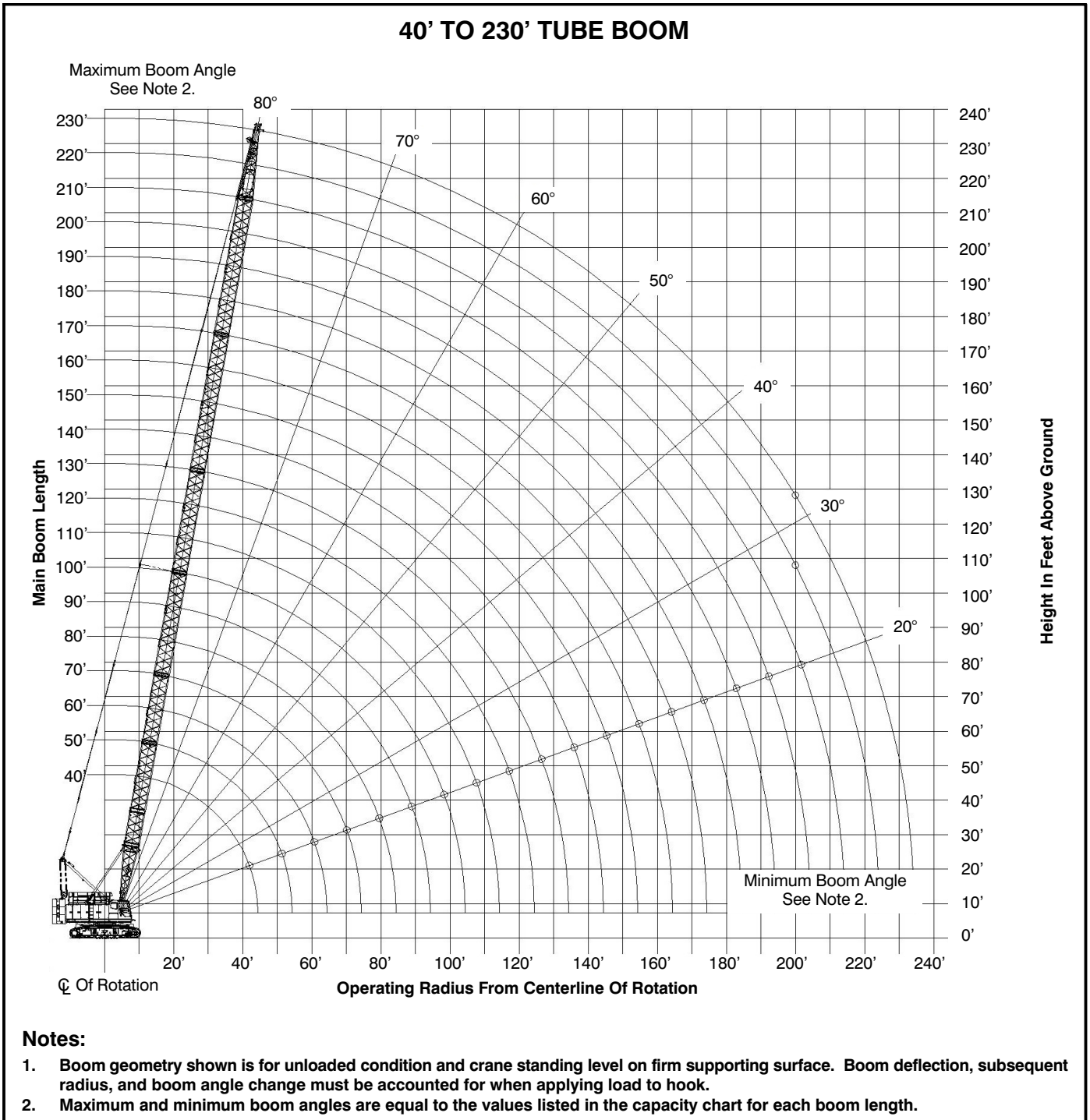
Optional Auxiliary Tip Extension



Notes:

- Capacities shown are in kips/metric tons (1 kip = 1,000 lb / 1 metric ton = 0.45 kips) and are not more than 75% of the tipping loads with the crane standing level on firm supporting surface. A deduction must be made from these capacities for weight of hook block, hook ball, sling, grapple, load weighing device, etc. When using main hook while jib or tip extension is attached, reduce capacities by values shown in Crane Rating Manual. See Operator's Manual for all limitations when raising or lowering attachment.
- For recommended reeving, parts of line, wire rope type, and wire rope inspection, see Wire Rope Capacity Chart, Operator's Manual, and Parts Manual.
- Load ratings are based on freely suspended loads and make no allowances for such factors as the effect of the wind, ground conditions, and operating speeds. The operator shall therefore reduce load ratings in order to take these conditions into account. Refer to the Crane Rating Manual for Wind Speed Restrictions.
- The 26 ft (7.92m) live mast must be used for all capacities listed.
- Booms must be erected and lowered over the end for maximum stability.
- Main boom length must not exceed 230 ft (70.10m).
- Do not operate at radii and boom lengths where the Crane Rating Manual lists no capacity. Do not use longer booms or jibs than those listed in the Crane Rating Manual. Any of the above can cause a tipping condition, or boom and jib failure.
- These capacities are in compliance with ASME/ANSI B30.5 at date of manufacture.
- These capacities apply only to the crane as originally manufactured and normally equipped by Link-Belt Construction Equipment Company.

Main Boom Working Range Diagram



Main Boom Load Chart

Tube Boom Lift Capacity Chart – 360° Rotation ABC+A [68,200+30,200 lb (30 935+13 698kg)] Counterweight – Side Frames Extended [All capacities are listed in kips (mt)]										
Load Radius ft (m)	Boom Length – ft (m)									
	40 (12.2)	50 (15.2)	60 (18.3)	70 (21.3)	80 (24.4)	90 (27.4)	100 (30.5)	110 (33.5)	120 (36.6)	130 (39.6)
11.3 (3.4)	220.0 (99.8)									
12 (3.7)	220.0 (99.8)									
13 (4.0)	205.5 (93.2)									
14 (4.3)	191.8 (87.0)	191.2 (86.7)								
15 (4.6)	179.7 (81.5)	179.2 (81.3)	178.7 (81.1)							
16 (4.9)	169.2 (76.7)	168.7 (76.5)	168.3 (76.3)							
17 (5.2)	159.7 (72.4)	159.3 (72.3)	158.8 (72.0)	158.3 (71.8)						
18 (5.5)	151.2 (68.6)	150.8 (68.4)	150.4 (68.2)	149.9 (68.0)						
19 (5.8)	143.6 (65.1)	143.3 (65.0)	142.9 (64.8)	142.5 (64.6)	142.0 (64.4)					
20 (6.1)	136.7 (62.0)	136.3 (61.8)	136.0 (61.7)	135.6 (61.5)	135.1 (61.3)					
25 (7.6)	98.5 (44.7)	98.5 (44.7)	98.5 (44.7)	98.4 (44.6)	98.2 (44.5)	98.0 (44.5)	97.9 (44.4)	97.7 (44.3)		
30 (9.1)	76.1 (34.5)	76.2 (34.6)	76.1 (34.5)	76.0 (34.5)	75.9 (34.4)	75.7 (34.3)	75.5 (34.2)	75.3 (34.2)	75.1 (34.1)	74.9 (34.0)
35 (10.7)	61.8 (28.0)	61.8 (28.0)	61.7 (28.0)	61.6 (27.9)	61.4 (27.9)	61.3 (27.8)	61.1 (27.7)	60.9 (27.6)	60.6 (27.5)	60.4 (27.4)
40 (12.2)	51.8 (23.5)	51.9 (23.5)	51.8 (23.5)	51.7 (23.5)	51.6 (23.4)	51.4 (23.3)	51.3 (23.3)	51.1 (23.2)	50.9 (23.1)	50.7 (23.0)
50 (15.2)		38.9 (17.6)	38.8 (17.6)	38.7 (17.6)	38.6 (17.5)	38.4 (17.4)	38.2 (17.3)	38.0 (17.2)	37.8 (17.1)	37.6 (17.1)
60 (18.3)			30.8 (14.0)	30.7 (13.9)	30.5 (13.8)	30.3 (13.7)	30.1 (13.7)	29.9 (13.6)	29.7 (13.5)	29.5 (13.4)
70 (21.3)				25.2 (11.4)	25.1 (11.4)	25.0 (11.3)	24.8 (11.2)	24.6 (11.2)	24.4 (11.1)	24.2 (11.0)
80 (24.4)						21.0 (9.5)	20.8 (9.4)	20.6 (9.3)	20.4 (9.3)	20.2 (9.2)
90 (27.4)							17.8 (8.1)	17.6 (8.0)	17.4 (7.9)	17.2 (7.8)
100 (30.5)								15.2 (6.9)	15.0 (6.8)	14.8 (6.7)
110 (33.5)									13.1 (5.9)	12.9 (5.9)
120 (36.6)										11.3 (5.1)

This material is supplied for reference use only. Operator must refer to in-cab Crane Rating Manual and Operator's Manual to determine allowable crane lifting capacities and assembly and operating procedures.

Tube Boom Lift Capacity Chart – 360° Rotation
ABC+A [68,200+30,200 lb (30 935+13 698kg)] Counterweight – Side Frames Extended
 [All capacities are listed in kips (*mt*)]

Load Radius ft (m)	Boom Length – ft (m)									
	140 (42.7)	150 (45.7)	160 (48.8)	170 (51.8)	180 (54.9)	190 (57.9)	200 (61.0)	210 (64.0)	220 (67.1)	230 (70.1)
30 (9.1)	74.7 (33.9)									
35 (10.7)	60.2 (27.3)	60.0 (27.2)	59.7 (27.1)	59.5 (27.0)						
40 (12.2)	50.4 (22.9)	50.2 (22.8)	50.0 (22.7)	49.8 (22.6)	49.6 (22.5)	46.6 (21.1)	42.2 (19.1)			
50 (15.2)	37.4 (17.0)	37.1 (16.8)	36.9 (16.7)	36.7 (16.6)	36.4 (16.5)	36.2 (16.4)	36.0 (16.3)	33.0 (15.0)	30.0 (13.6)	25.6 (11.6)
60 (18.3)	29.5 (13.4)	29.3 (13.3)	29.1 (13.2)	28.9 (13.1)	28.7 (13.0)	28.5 (12.9)	27.7 (12.6)	25.5 (11.6)	24.7 (11.2)	22.6 (10.3)
70 (21.3)	24.0 (10.9)	23.8 (10.8)	23.6 (10.7)	23.4 (10.6)	23.1 (10.5)	22.9 (10.4)	22.7 (10.3)	21.6 (9.8)	22.2 (10.1)	20.0 (9.1)
80 (24.4)	20.0 (9.1)	19.8 (9.0)	19.6 (8.9)	19.3 (8.8)	19.1 (8.7)	18.9 (8.6)	18.7 (8.5)	18.4 (8.3)	18.2 (8.3)	17.7 (8.0)
90 (27.4)	16.9 (7.7)	16.7 (7.6)	16.5 (7.5)	16.3 (7.4)	16.1 (7.3)	15.8 (7.2)	15.6 (7.1)	15.3 (6.9)	15.1 (6.8)	14.9 (6.8)
100 (30.5)	14.6 (6.6)	14.3 (6.5)	14.1 (6.4)	13.9 (6.3)	13.7 (6.2)	13.4 (6.1)	13.2 (6.0)	12.9 (5.9)	12.7 (5.8)	12.5 (5.7)
110 (33.5)	12.6 (5.7)	12.4 (5.6)	12.2 (5.5)	12.0 (5.4)	11.7 (5.3)	11.5 (5.2)	11.3 (5.1)	11.0 (5.0)	10.8 (4.9)	10.5 (4.8)
120 (36.6)	11.1 (5.0)	10.8 (4.9)	10.6 (4.8)	10.4 (4.7)	10.2 (4.6)	9.9 (4.5)	9.7 (4.4)	9.4 (4.3)	9.2 (4.2)	8.9 (4.0)
130 (39.6)	9.8 (4.4)	9.5 (4.3)	9.3 (4.2)	9.1 (4.1)	8.8 (4.0)	8.6 (3.9)	8.4 (3.8)	8.1 (3.7)	7.9 (3.6)	7.6 (3.4)
140 (42.7)		8.4 (3.8)	8.2 (3.7)	8.0 (3.6)	7.7 (3.5)	7.5 (3.4)	7.2 (3.3)	7.0 (3.2)	6.7 (3.0)	6.5 (2.9)
150 (45.7)			7.2 (3.3)	7.0 (3.2)	6.8 (3.1)	6.5 (2.9)	6.3 (2.9)	6.0 (2.7)	5.8 (2.6)	5.5 (2.5)
160 (48.8)				6.2 (2.8)	5.9 (2.7)	5.7 (2.6)	5.5 (2.5)	5.2 (2.4)	4.9 (2.2)	4.7 (2.1)
170 (51.8)					5.2 (2.4)	5.0 (2.3)	4.7 (2.1)	4.5 (2.0)	4.2 (1.9)	4.0 (1.8)
180 (54.9)						4.4 (2.0)	4.1 (1.9)	3.8 (1.7)	3.6 (1.6)	3.3 (1.5)
190 (57.9)							3.4 (1.5)	3.3 (1.5)	3.0 (1.4)	2.8 (1.3)
200 (61.0)								2.8 (1.3)	2.5 (1.1)	2.3 (1.0)

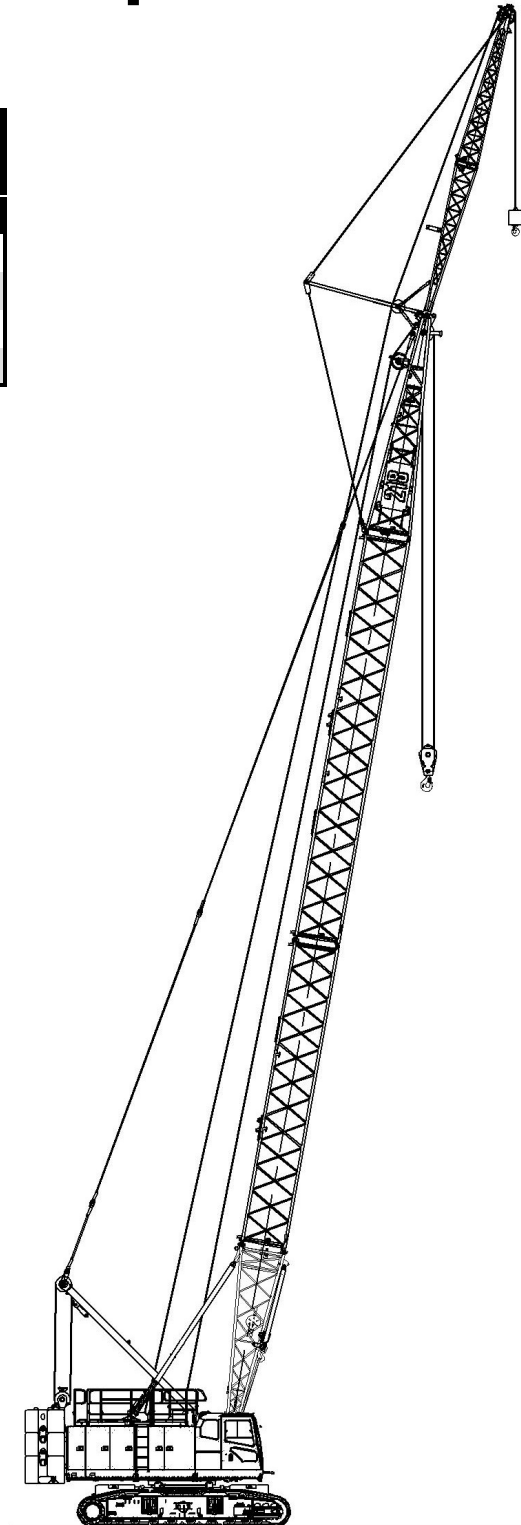
This material is supplied for reference use only. Operator must refer to in-cab Crane Rating Manual and Operator's Manual to determine allowable crane lifting capacities and assembly and operating procedures.

Jib Attachment Make-up

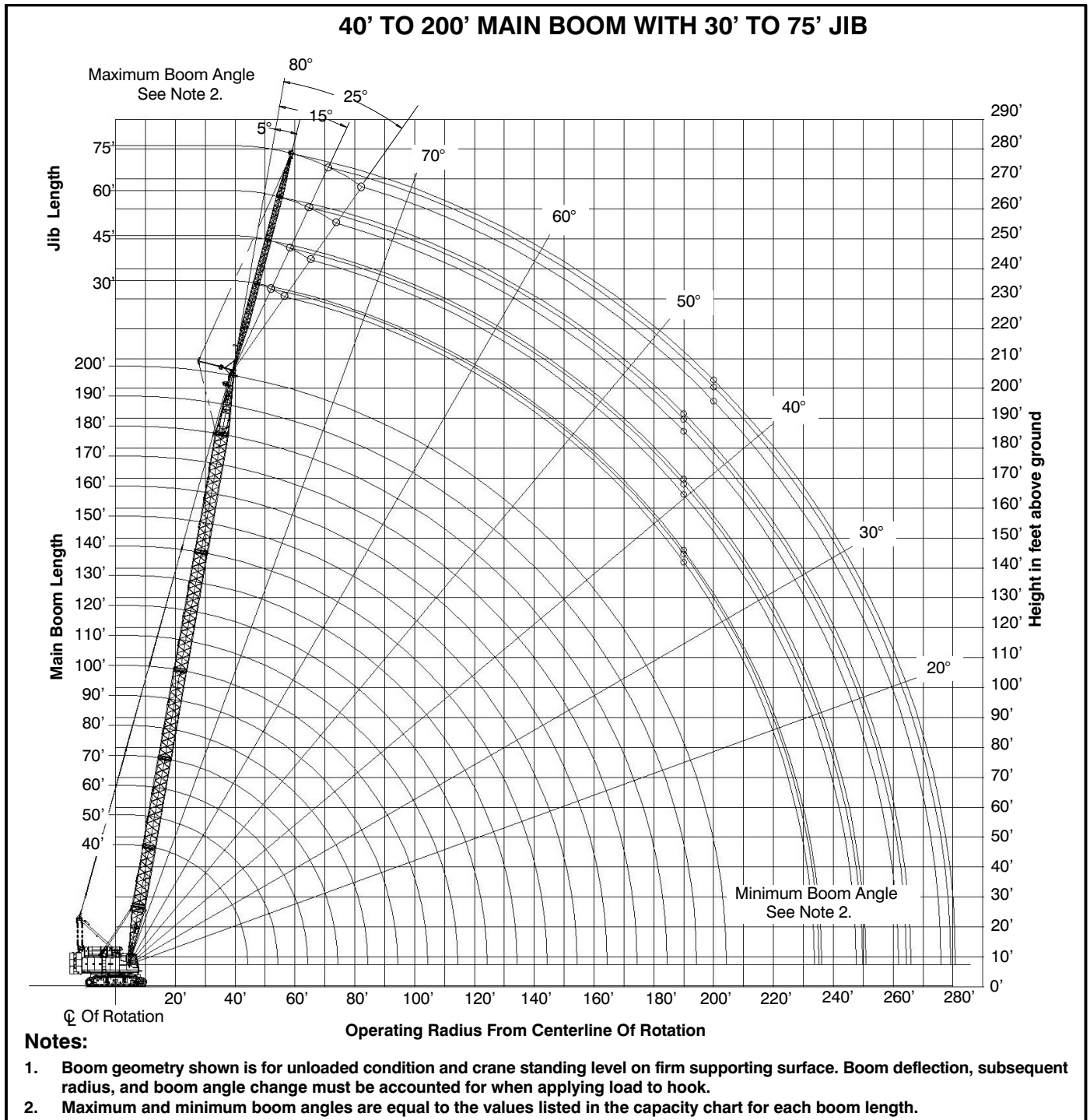
Jib Length ft (m)	Jib Extensions	Basic Frontstay Pendants Required	Pairs Of Frontstay Extension Pendants Required
	15 ft (4.57 m)	63 ft 5 in (19.33m)	14 ft 6 in (4.42m)
30 (9.15)		1	
45 (13.72)	1	1	1
60 (18.29)	2	1	2
75 (22.86)	3	1	3

Notes:

1. Capacities shown are in kips/metric tons (1 kip = 1,000 lb / 1 metric ton = 0.45 kips) and are not more than 75% of the tipping loads with the crane standing level on a firm supporting surface.
2. A deduction must be made from these capacities for the weight of the main boom hook block or hook ball, jib hook block or hook ball, slings, grapples, load weighing devices, etc. When using main hook while jib is attached, reduce capacities by values shown in Crane Rating Manual. See Operator's Manual for all limitations when raising or lowering attachment.
3. Load ratings are based on freely suspended loads and make no allowances for such factors as the effect of the wind, ground conditions, and operating speeds. The operator shall therefore reduce load ratings in order to take these conditions into account. Refer to the Crane Rating Manual for Wind Speed Restrictions.
4. These capacities are for "ABC+A" counterweight.
5. These capacities are for 360° working areas.
6. These capacities are for 30–75 ft (9.15–22.86m) jib lengths only.
7. The jib cannot be used on boom lengths over 200 ft (60.96m).
8. These capacities are in compliance with ASME/ANSI B30.5 at date of manufacture.
9. These capacities apply only to the crane as originally manufactured and normally equipped by Link-Belt Construction Equipment Company.



Jib Attachment Working Range Diagram



Jib Attachment Load Charts

Tube Boom + 30 ft (9.1m) Offset Tube Jib – Side Frames Extended – 360° Rotation																	
ABC+A [68,200+30,200 lb (30 935+13 698kg)] Counterweight																	
[All capacities are listed in kips (mt)]																	
5° Offset						15° Offset						25° Offset					
Load Radius ft (m)	Main Boom Length ft (m)					Load Radius ft (m)	Main Boom Length ft (m)					Load Radius ft (m)	Main Boom Length ft (m)				
	40 (12.2)	100 (30.5)	140 (42.7)	180 (54.9)	200 (61.0)		40 (12.2)	100 (30.5)	140 (42.7)	180 (54.9)	200 (61.0)		40 (12.2)	100 (30.5)	140 (42.7)	180 (54.9)	200 (61.0)
20.0 (6.1)	24.0 (10.9)					20.0 (6.1)						20.0 (6.1)					
30.0 (9.1)	24.0 (10.9)	24.0 (10.9)				30.0 (9.1)	24.0 (10.9)					30.0 (9.1)	20.6 (9.3)				
40.0 (12.2)	24.0 (10.9)	24.0 (10.9)	24.0 (10.9)			40.0 (12.2)	24.0 (10.9)	24.0 (10.9)				40.0 (12.2)	17.2 (7.8)	20.6 (9.3)			
50.0 (15.2)	24.0 (10.9)	24.0 (10.9)	24.0 (10.9)	24.0 (10.9)	24.0 (10.9)	50.0 (15.2)	19.2 (8.7)	24.0 (10.9)	24.0 (10.9)	24.0 (10.9)		50.0 (15.2)	14.9 (6.8)	18.6 (8.4)	20.1 (9.1)		
60.0 (18.3)	19.4 (8.8)	24.0 (10.9)	24.0 (10.9)	24.0 (10.9)	23.1 (10.5)	60.0 (18.3)	16.2 (7.3)	24.0 (10.9)	24.0 (10.9)	24.0 (10.9)	22.0 (10.0)	60.0 (18.3)	13.3 (6.0)	17.1 (7.8)	18.6 (8.4)	19.7 (8.9)	
70.0 (21.3)	16.3 (7.4)	24.0 (10.9)	24.0 (10.9)	23.1 (10.5)	23.1 (10.1)	70.0 (21.3)	14.3 (6.5)	22.1 (10.0)	24.0 (10.9)	23.5 (10.7)	21.1 (9.6)	70.0 (21.3)	12.3 (5.6)	15.8 (7.2)	17.4 (7.9)	18.5 (8.4)	
80.0 (24.4)		20.8 (9.4)	19.9 (9.0)	19.0 (8.6)	18.6 (8.4)	80.0 (24.4)		19.8 (9.0)	20.2 (9.2)	19.4 (8.8)	19.0 (8.6)	80.0 (24.4)		14.7 (6.7)	16.3 (7.4)	17.5 (7.9)	
90.0 (27.4)		17.8 (8.1)	16.9 (7.7)	15.9 (7.2)	15.5 (7.0)	90.0 (27.4)		17.9 (8.1)	17.2 (7.8)	16.2 (7.3)	15.8 (7.2)	90.0 (27.4)		13.9 (6.3)	15.4 (7.0)	16.5 (7.5)	
100.0 (30.5)		15.4 (7.0)	14.4 (6.5)	13.5 (6.1)	13.1 (5.9)	100.0 (30.5)		15.5 (7.0)	14.6 (6.6)	13.8 (6.3)	13.3 (6.0)	100.0 (30.5)		13.2 (6.0)	14.6 (6.6)	14.0 (6.4)	
110.0 (33.5)		13.4 (6.1)	12.5 (5.7)	11.6 (5.3)	11.1 (5.0)	110.0 (33.5)		13.5 (6.1)	12.7 (5.8)	11.8 (5.4)	11.4 (5.2)	110.0 (33.5)		12.6 (5.7)	12.8 (5.8)	12.0 (5.4)	
120.0 (36.6)		11.8 (5.4)	10.9 (4.9)	10.0 (4.5)	9.5 (4.3)	120.0 (36.6)		11.9 (5.4)	11.1 (5.0)	10.2 (4.6)	9.7 (4.4)	120.0 (36.6)		11.9 (5.4)	11.2 (5.1)	10.3 (4.7)	
130.0 (39.6)			9.6 (4.4)	8.6 (3.9)	8.2 (3.7)	130.0 (39.6)			9.7 (4.4)	8.8 (4.0)	8.4 (3.8)	130.0 (39.6)			9.8 (4.4)	9.0 (4.1)	
140.0 (42.7)			8.5 (3.9)	7.5 (3.4)	6.9 (3.1)	140.0 (42.7)			8.5 (3.9)	7.6 (3.4)	7.1 (3.2)	140.0 (42.7)			8.6 (3.9)	7.8 (3.5)	
150.0 (45.7)			7.5 (3.4)	6.5 (2.9)	5.7 (2.6)	150.0 (45.7)			7.6 (3.4)	6.6 (3.0)	5.9 (2.7)	150.0 (45.7)			7.6 (3.4)	6.8 (3.1)	
160.0 (48.8)			6.6 (3.0)	5.5 (2.5)	4.8 (2.2)	160.0 (48.8)			6.7 (3.0)	5.6 (2.5)	4.9 (2.2)	160.0 (48.8)				5.7 (2.6)	
170.0 (51.8)				4.6 (2.1)	3.9 (1.8)	170.0 (51.8)				4.8 (2.2)	4.1 (1.9)	170.0 (51.8)				4.8 (2.2)	
180.0 (54.9)				3.9 (1.8)	3.2 (1.5)	180.0 (54.9)				4.0 (1.8)	3.3 (1.5)	180.0 (54.9)				4.0 (1.8)	
190.0 (57.9)				3.2 (1.5)	2.5 (1.1)	190.0 (57.9)				3.3 (1.5)	2.6 (1.2)	190.0 (57.9)				3.3 (1.5)	
200.0 (61.0)				2.6 (1.2)		200.0 (61.0)				2.7 (1.2)		200.0 (61.0)					

This material is supplied for reference use only. Operator must refer to in-cab Crane Rating Manual and Operator's Manual to determine allowable crane lifting capacities and assembly and operating procedures.

Tube Boom + 45 ft (13.7m) Offset Tube Jib – Side Frames Extended – 360° Rotation ABC+A [68,200+30,200 lb (30 935+13 698kg)] Counterweight [All capacities are listed in kips (mt)]																	
Load Radius ft (m)	5° Offset					Load Radius ft (m)	15° Offset					Load Radius ft (m)	25° Offset				
	Main Boom Length ft (m)						Main Boom Length ft (m)						Main Boom Length ft (m)				
	40 (12.2)	100 (30.5)	140 (42.7)	180 (54.9)	200 (61.0)		40 (12.2)	100 (30.5)	140 (42.7)	180 (54.9)	200 (61.0)		40 (12.2)	100 (30.5)	140 (42.7)	180 (54.9)	200 (61.0)
20.0 (6.1)						20.0 (6.1)						20.0 (6.1)					
30.0 (9.1)	24.0 (10.9)					30.0 (9.1)						30.0 (9.1)					
40.0 (12.2)	23.1 (10.5)	24.0 (10.9)	24.0 (10.9)			40.0 (12.2)	17.5 (7.9)					40.0 (12.2)	13.2 (6.0)				
50.0 (15.2)	17.7 (8.0)	24.0 (10.9)	24.0 (10.9)	24.0 (10.9)		50.0 (15.2)	14.0 (6.4)	19.3 (8.8)	21.8 (9.9)			50.0 (15.2)	11.0 (5.0)	13.5 (6.1)			
60.0 (18.3)	14.3 (6.5)	23.9 (10.8)	24.0 (10.9)	24.0 (10.9)	20.5 (9.3)	60.0 (18.3)	11.8 (5.4)	16.7 (7.6)	19.1 (8.7)	21.1 (9.6)	19.0 (8.6)	60.0 (18.3)	9.5 (4.3)	12.1 (5.5)	13.1 (5.9)		
70.0 (21.3)	12.0 (5.4)	20.2 (9.2)	24.0 (10.9)	23.3 (10.6)	19.8 (9.0)	70.0 (21.3)	10.1 (4.6)	14.7 (6.7)	17.0 (7.7)	19.0 (8.6)	18.3 (8.3)	70.0 (21.3)	8.4 (3.8)	10.9 (4.9)	12.0 (5.4)	12.8 (5.8)	13.2 (6.0)
80.0 (24.4)	10.4 (4.7)	17.4 (7.9)	20.1 (9.1)	19.2 (8.7)	18.8 (8.5)	80.0 (24.4)	9.0 (4.1)	13.1 (5.9)	15.4 (7.0)	17.2 (7.8)	17.6 (8.0)	80.0 (24.4)	7.6 (3.4)	10.0 (4.5)	11.1 (5.0)	12.0 (5.4)	12.3 (5.6)
90.0 (27.4)		15.3 (6.9)	17.0 (7.7)	16.1 (7.3)	15.7 (7.1)	90.0 (27.4)		11.9 (5.4)	14.0 (6.4)	15.8 (7.2)	16.1 (7.3)	90.0 (27.4)		9.2 (4.2)	10.3 (4.7)	11.2 (5.1)	11.6 (5.3)
100.0 (30.5)		13.7 (6.2)	14.6 (6.6)	13.7 (6.2)	13.2 (6.0)	100.0 (30.5)		10.9 (4.9)	12.8 (5.8)	14.1 (6.4)	13.6 (6.2)	100.0 (30.5)		8.6 (3.9)	9.7 (4.4)	10.5 (4.8)	10.9 (4.9)
110.0 (33.5)		12.3 (5.6)	12.7 (5.8)	11.7 (5.3)	11.3 (5.1)	110.0 (33.5)		10.0 (4.5)	11.9 (5.4)	12.1 (5.5)	11.6 (5.3)	110.0 (33.5)		8.1 (3.7)	9.1 (4.1)	10.0 (4.5)	10.3 (4.7)
120.0 (36.6)		11.3 (5.1)	11.1 (5.0)	10.1 (4.6)	9.7 (4.4)	120.0 (36.6)		9.4 (4.3)	11.1 (5.0)	10.4 (4.7)	10.0 (4.5)	120.0 (36.6)		7.7 (3.5)	8.7 (3.9)	9.5 (4.3)	9.8 (4.4)
130.0 (39.6)		10.4 (4.7)	9.7 (4.4)	8.8 (4.0)	8.3 (3.8)	130.0 (39.6)		8.8 (4.0)	9.9 (4.5)	9.0 (4.1)	8.6 (3.9)	130.0 (39.6)		7.5 (3.4)	8.3 (3.8)	9.0 (4.1)	8.9 (4.0)
140.0 (42.7)		9.5 (4.3)	8.6 (3.9)	7.6 (3.4)	7.0 (3.2)	140.0 (42.7)		8.5 (3.9)	8.7 (3.9)	7.9 (3.6)	7.4 (3.4)	140.0 (42.7)			7.9 (3.6)	8.1 (3.7)	7.7 (3.5)
150.0 (45.7)			7.6 (3.4)	6.6 (3.0)	5.9 (2.7)	150.0 (45.7)			7.7 (3.5)	6.9 (3.1)	6.2 (2.8)	150.0 (45.7)			7.7 (3.5)	7.0 (3.2)	6.5 (2.9)
160.0 (48.8)			6.8 (3.1)	5.6 (2.5)	4.9 (2.2)	160.0 (48.8)			6.9 (3.1)	5.9 (2.7)	5.2 (2.4)	160.0 (48.8)			7.0 (3.2)	6.1 (2.8)	5.4 (2.4)
170.0 (51.8)			6.0 (2.7)	4.8 (2.2)	4.1 (1.9)	170.0 (51.8)			6.1 (2.8)	5.0 (2.3)	4.3 (2.0)	170.0 (51.8)			6.2 (2.8)	5.2 (2.4)	4.5 (2.0)
180.0 (54.9)			5.4 (2.4)	4.0 (1.8)	3.3 (1.5)	180.0 (54.9)			5.4 (2.4)	4.2 (1.9)	3.5 (1.6)	180.0 (54.9)				4.3 (2.0)	3.7 (1.7)
190.0 (57.9)				3.4 (1.5)	2.6 (1.2)	190.0 (57.9)				3.5 (1.6)	2.8 (1.3)	190.0 (57.9)				3.6 (1.6)	3.0 (1.4)
200.0 (61.0)				2.8 (1.3)		200.0 (61.0)				2.9 (1.3)		200.0 (61.0)				2.9 (1.3)	

This material is supplied for reference use only. Operator must refer to in-cab Crane Rating Manual and Operator's Manual to determine allowable crane lifting capacities and assembly and operating procedures.

Tube Boom + 60 ft (18.3m) Offset Tube Jib – Side Frames Extended – 360° Rotation ABC+A [68,200+30,200 lb (30 935+13 698kg)] Counterweight [All capacities are listed in kips (mt)]																	
Load Radius ft (m)	5° Offset					Load Radius ft (m)	15° Offset					Load Radius ft (m)	25° Offset				
	Main Boom Length ft (m)						Main Boom Length ft (m)						Main Boom Length ft (m)				
	40 (12.2)	100 (30.5)	140 (42.7)	180 (54.9)	200 (61.0)		40 (12.2)	100 (30.5)	140 (42.7)	180 (54.9)	200 (61.0)		40 (12.2)	100 (30.5)	140 (42.7)	180 (54.9)	200 (61.0)
20 (6.1)						20 (6.1)						20 (6.1)					
30 (9.1)	23.4 (10.6)					30 (9.1)						30 (9.1)					
40 (12.2)	18.7 (8.5)	22.8 (10.3)				40 (12.2)	14.1 (6.4)					40 (12.2)					
50 (15.2)	14.4 (6.5)	21.5 (9.8)	21.4 (9.7)			50 (15.2)	11.3 (5.1)	14.4 (6.5)				50 (15.2)	8.8 (4.0)				
60 (18.3)	11.6 (5.3)	17.9 (8.1)	20.6 (9.3)	19.5 (8.8)	17.9 (8.1)	60 (18.3)	9.4 (4.3)	12.5 (5.7)	14.0 (6.4)			60 (18.3)	7.5 (3.4)	8.9 (4.0)			
70 (21.3)	9.7 (4.4)	15.2 (6.9)	18.5 (8.4)	18.9 (8.6)	17.3 (7.8)	70 (21.3)	8.0 (3.6)	11.0 (5.0)	12.4 (5.6)	13.6 (6.2)	14.1 (6.4)	70 (21.3)	6.5 (2.9)	8.0 (3.6)	8.7 (3.9)		
80 (24.4)	8.3 (3.8)	13.1 (5.9)	16.1 (7.3)	18.3 (8.3)	16.8 (7.6)	80 (24.4)	7.0 (3.2)	9.8 (4.4)	11.2 (5.1)	12.4 (5.6)	12.9 (5.9)	80 (24.4)	5.8 (2.6)	7.3 (3.3)	8.0 (3.6)	8.5 (3.9)	8.7 (3.9)
90 (27.4)	7.3 (3.3)	11.6 (5.3)	14.2 (6.4)	16.2 (7.3)	15.8 (7.2)	90 (27.4)	6.3 (2.9)	8.8 (4.0)	10.2 (4.6)	11.3 (5.1)	11.8 (5.4)	90 (27.4)	5.2 (2.4)	6.7 (3.0)	7.4 (3.4)	7.9 (3.6)	8.1 (3.7)
100 (30.5)	6.5 (2.9)	10.3 (4.7)	12.7 (5.8)	13.8 (6.3)	13.4 (6.1)	100 (30.5)	5.7 (2.6)	8.0 (3.6)	9.3 (4.2)	10.4 (4.7)	10.9 (4.9)	100 (30.5)	4.9 (2.2)	6.2 (2.8)	6.9 (3.1)	7.4 (3.4)	7.6 (3.4)
110 (33.5)		9.3 (4.2)	11.5 (5.2)	11.8 (5.4)	11.4 (5.2)	110 (33.5)		7.4 (3.4)	8.6 (3.9)	9.7 (4.4)	10.2 (4.6)	110 (33.5)		5.8 (2.6)	6.5 (2.9)	7.0 (3.2)	7.2 (3.3)
120 (36.6)		8.5 (3.9)	10.5 (4.8)	10.2 (4.6)	9.8 (4.4)	120 (36.6)		6.8 (3.1)	8.0 (3.6)	9.0 (4.1)	9.5 (4.3)	120 (36.6)		5.5 (2.5)	6.1 (2.8)	6.6 (3.0)	6.8 (3.1)
130 (39.6)		7.8 (3.5)	9.6 (4.4)	8.9 (4.0)	8.4 (3.8)	130 (39.6)		6.4 (2.9)	7.5 (3.4)	8.4 (3.8)	8.8 (4.0)	130 (39.6)		5.2 (2.4)	5.8 (2.6)	6.3 (2.9)	6.5 (2.9)
140 (42.7)		7.2 (3.3)	8.7 (3.9)	7.7 (3.5)	7.1 (3.2)	140 (42.7)		6.0 (2.7)	7.0 (3.2)	8.0 (3.6)	7.6 (3.4)	140 (42.7)		5.0 (2.3)	5.5 (2.5)	6.0 (2.7)	6.2 (2.8)
150 (45.7)		6.7 (3.0)	7.7 (3.5)	6.7 (3.0)	6.0 (2.7)	150 (45.7)		5.7 (2.6)	6.6 (3.0)	7.0 (3.2)	6.4 (2.9)	150 (45.7)		4.9 (2.2)	5.3 (2.4)	5.7 (2.6)	5.9 (2.7)
160 (48.8)			6.9 (3.1)	5.7 (2.6)	5.0 (2.3)	160 (48.8)			6.3 (2.9)	6.1 (2.8)	5.4 (2.4)	160 (48.8)			5.1 (2.3)	5.5 (2.5)	5.7 (2.6)
170 (51.8)			6.1 (2.8)	4.9 (2.2)	4.2 (1.9)	170 (51.8)			6.0 (2.7)	5.2 (2.4)	4.5 (2.0)	170 (51.8)			4.9 (2.2)	5.3 (2.4)	4.8 (2.2)
180 (54.9)			5.5 (2.5)	4.1 (1.9)	3.4 (1.5)	180 (54.9)			5.6 (2.5)	4.4 (2.0)	3.7 (1.7)	180 (54.9)			4.8 (2.2)	4.6 (2.1)	4.0 (1.8)
190 (57.9)			4.9 (2.2)	3.4 (1.5)	2.7 (1.2)	190 (57.9)			5.0 (2.3)	3.7 (1.7)	3.0 (1.4)	190 (57.9)				3.8 (1.7)	3.2 (1.5)
200 (61.0)				2.8 (1.3)		200 (61.0)				3.0 (1.4)		200 (61.0)				3.2 (1.5)	

This material is supplied for reference use only. Operator must refer to in-cab Crane Rating Manual and Operator's Manual to determine allowable crane lifting capacities and assembly and operating procedures.

Tube Boom + 75 ft (22.9m) Offset Tube Jib – Side Frames Extended – 360° Rotation ABC+A [68,200+30,200 lb (30 935+13 698kg)] Counterweight [All capacities are listed in kips (mt)]																	
Load Radius ft (m)	5° Offset					Load Radius ft (m)	15° Offset					Load Radius ft (m)	25° Offset				
	Main Boom Length ft (m)						Main Boom Length ft (m)						Main Boom Length ft (m)				
	40 (12.2)	100 (30.5)	140 (42.7)	180 (54.9)	200 (61.0)		40 (12.2)	100 (30.5)	140 (42.7)	180 (54.9)	200 (61.0)		40 (12.2)	100 (30.5)	140 (42.7)	180 (54.9)	200 (61.0)
20 (6.1)						20 (6.1)						20 (6.1)					
30 (9.1)						30 (9.1)						30 (9.1)					
40 (12.2)	15.8 (7.2)					40 (12.2)						40 (12.2)					
50 (15.2)	12.2 (5.5)	17.3 (7.8)	17.4 (7.9)			50 (15.2)	9.5 (4.3)					50 (15.2)					
60 (18.3)	9.9 (4.5)	14.3 (6.5)	16.6 (7.5)	16.0 (7.3)	15.3 (6.9)	60 (18.3)	7.9 (3.6)	9.9 (4.5)				60 (18.3)	6.1 (2.8)				
70 (21.3)	8.2 (3.7)	12.1 (5.5)	14.5 (6.6)	15.5 (7.0)	14.8 (6.7)	70 (21.3)	6.7 (3.0)	8.7 (3.9)	9.6 (4.4)	10.4 (4.7)		70 (21.3)	5.2 (2.4)	6.2 (2.8)			
80 (24.4)	7.0 (3.2)	10.5 (4.8)	12.6 (5.7)	14.6 (6.6)	14.4 (6.5)	80 (24.4)	5.8 (2.6)	7.7 (3.5)	8.6 (3.9)	9.4 (4.3)	9.8 (4.4)	80 (24.4)	4.6 (2.1)	5.6 (2.5)	6.0 (2.7)	6.3 (2.9)	
90 (27.4)	6.1 (2.8)	9.2 (4.2)	11.1 (5.0)	12.9 (5.9)	13.8 (6.3)	90 (27.4)	5.1 (2.3)	6.9 (3.1)	7.8 (3.5)	8.6 (3.9)	9.0 (4.1)	90 (27.4)	4.1 (1.9)	5.1 (2.3)	5.5 (2.5)	5.9 (2.7)	6.0 (2.7)
100 (30.5)	5.4 (2.4)	8.2 (3.7)	9.9 (4.5)	11.6 (5.3)	12.4 (5.6)	100 (30.5)	4.5 (2.0)	6.3 (2.9)	7.2 (3.3)	7.9 (3.6)	8.3 (3.8)	100 (30.5)	3.7 (1.7)	4.7 (2.1)	5.1 (2.3)	5.5 (2.5)	5.6 (2.5)
110 (33.5)	4.8 (2.2)	7.4 (3.4)	9.0 (4.1)	10.5 (4.8)	11.2 (5.1)	110 (33.5)	4.1 (1.9)	5.7 (2.6)	6.6 (3.0)	7.3 (3.3)	7.7 (3.5)	110 (33.5)	3.4 (1.5)	4.3 (2.0)	4.8 (2.2)	5.1 (2.3)	5.3 (2.4)
120 (36.6)		6.7 (3.0)	8.2 (3.7)	9.6 (4.4)	9.8 (4.4)	120 (36.6)		5.2 (2.4)	6.1 (2.8)	6.8 (3.1)	7.1 (3.2)	120 (36.6)		4.0 (1.8)	4.5 (2.0)	4.8 (2.2)	5.0 (2.3)
130 (39.6)		6.1 (2.8)	7.5 (3.4)	8.8 (4.0)	8.5 (3.9)	130 (39.6)		4.9 (2.2)	5.6 (2.5)	6.3 (2.9)	6.7 (3.0)	130 (39.6)		3.8 (1.7)	4.2 (1.9)	4.6 (2.1)	4.7 (2.1)
140 (42.7)		5.6 (2.5)	6.9 (3.1)	7.8 (3.5)	7.2 (3.3)	140 (42.7)		4.5 (2.0)	5.3 (2.4)	5.9 (2.7)	6.2 (2.8)	140 (42.7)		3.6 (1.6)	4.0 (1.8)	4.3 (2.0)	4.5 (2.0)
150 (45.7)		5.2 (2.4)	6.3 (2.9)	6.8 (3.1)	6.1 (2.8)	150 (45.7)		4.3 (2.0)	4.9 (2.2)	5.6 (2.5)	5.9 (2.7)	150 (45.7)		3.4 (1.5)	3.8 (1.7)	4.1 (1.9)	4.2 (1.9)
160 (48.8)		4.8 (2.2)	5.9 (2.7)	5.8 (2.6)	5.1 (2.3)	160 (48.8)		4.0 (1.8)	4.7 (2.1)	5.3 (2.4)	5.6 (2.5)	160 (48.8)		3.3 (1.5)	3.6 (1.6)	3.9 (1.8)	4.1 (1.9)
170 (51.8)		4.6 (2.1)	5.5 (2.5)	4.9 (2.2)	4.2 (1.9)	170 (51.8)		3.9 (1.8)	4.4 (2.0)	5.0 (2.3)	4.7 (2.1)	170 (51.8)			3.5 (1.6)	3.7 (1.7)	3.9 (1.8)
180 (54.9)			5.2 (2.4)	4.2 (1.9)	3.5 (1.6)	180 (54.9)			4.2 (1.9)	4.5 (2.0)	3.9 (1.8)	180 (54.9)			3.4 (1.5)	3.6 (1.6)	3.7 (1.7)
190 (57.9)			4.9 (2.2)	3.5 (1.6)	2.8 (1.3)	190 (57.9)			4.0 (1.8)	3.8 (1.7)	3.1 (1.4)	190 (57.9)			3.3 (1.5)	3.5 (1.6)	3.5 (1.6)
200 (61.0)			4.3 (2.0)	2.9 (1.3)	2.2 (1.0)	200 (61.0)			3.9 (1.8)	3.2 (1.5)	2.5 (1.1)	200 (61.0)			3.2 (1.5)	3.4 (1.5)	2.8 (1.3)

This material is supplied for reference use only. Operator must refer to in-cab Crane Rating Manual and Operator’s Manual to determine allowable crane lifting capacities and assembly and operating procedures.

This Page Intentionally Blank

Link-Belt Cranes Lexington, Kentucky www.linkbelt.com

®Link-Belt is a registered trademark. Copyright 2023. We are constantly improving our products and therefore reserve the right to change designs and specifications.