

**LBC1200**

Stage III A / Tier 3

# **LBC1200**

**HYDRAULIC CRAWLER CRANE**

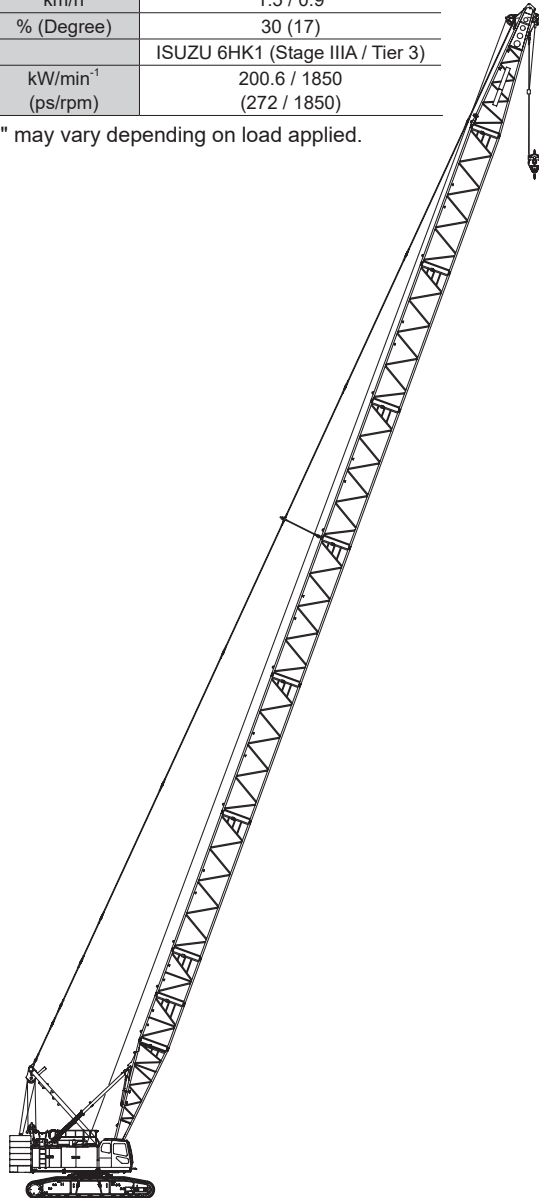
**Link-Belt**  
C R A N E S

2009 © 05H.EA357

# Variation of The Attachment

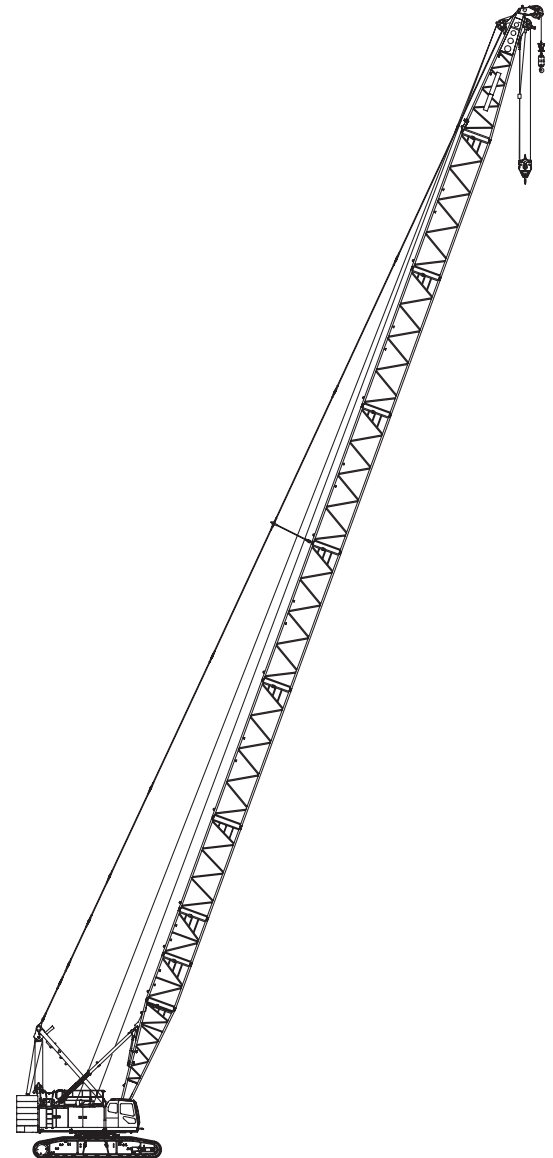
|                           |   |       |                                  |
|---------------------------|---|-------|----------------------------------|
| Line Speed *              | Front / Rear Winch (Rated with 12 t load) | m/min | 110 (45)                         |
|                           | Third Winch (Rated with 12 t load)        |       | 95 (30)                          |
|                           | Boom Hoist Winch                          |       | 44                               |
|                           | Tower Jib Hoist Winch                     |       | 55                               |
| Swing Speed               | min <sup>-1</sup> (rpm)                   |       | 1.7                              |
| Travel Speed High / Low * | km/h                                      |       | 1.5 / 0.9                        |
| Gradeability              | % (Degree)                                |       | 30 (17)                          |
| Engine Model              |   |       | ISUZU 6HK1 (Stage IIIA / Tier 3) |
| Engine Rated Output Power | kW/min <sup>-1</sup> (ps/rpm)             |       | 200.6 / 1850 (272 / 1850)        |

Note : Speeds marked with "\*" may vary depending on load applied.



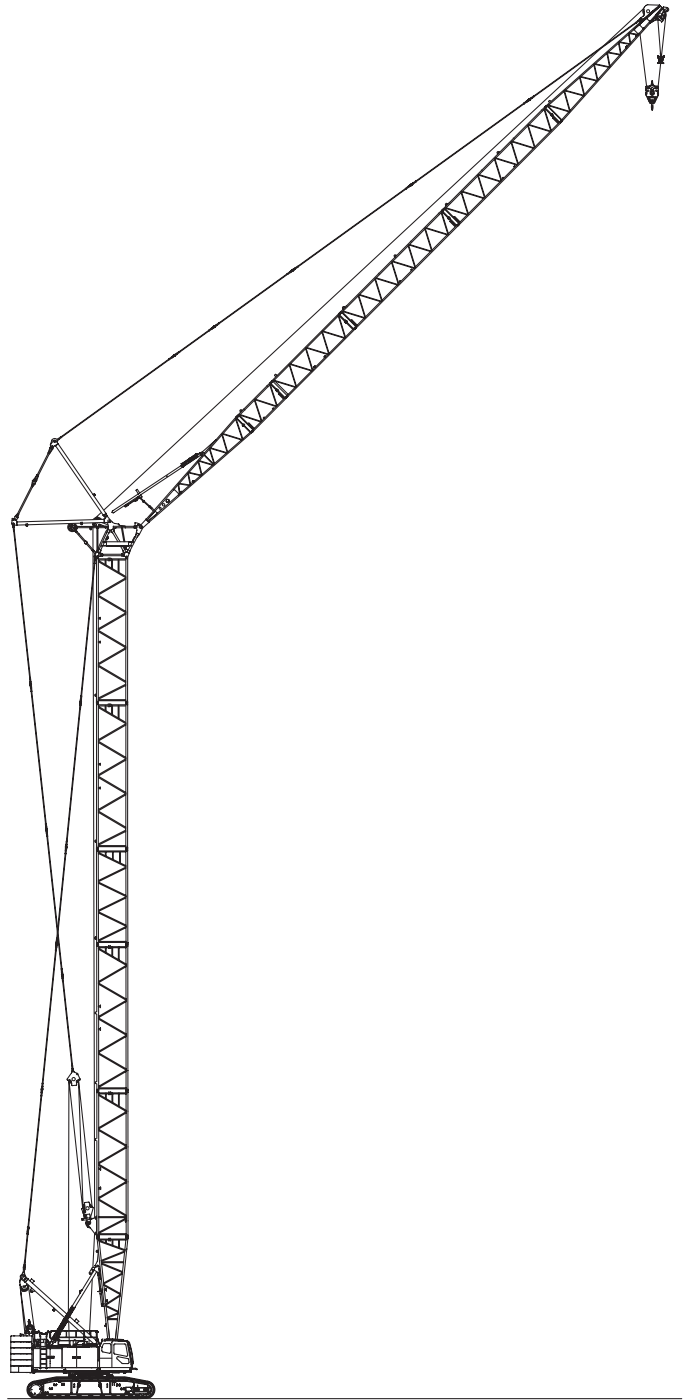
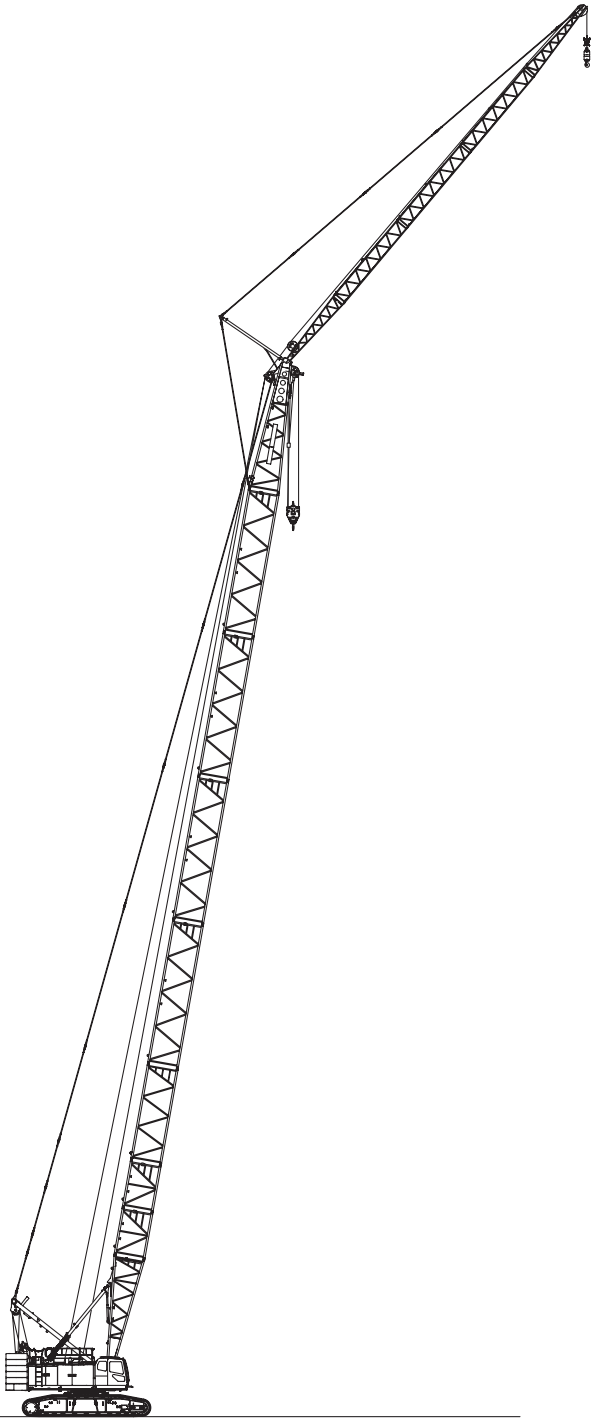
**Crane Specification (Boom Longest Length)**

|                          |                            |   |
|--------------------------|----------------------------|---|
| Boom Length              | m                          | 15 to 75  |
| Ground Contact Pressure  | kPa (kgf/cm <sup>2</sup> ) | 96 (0.98)<br>(Boom longest length with 35 t hook)         |
| Overall Operating Weight | t                          | Approximately 130<br>(Boom longest length with 35 t hook) |



**Crane Specification (Boom Longest Length with Aux. Sheave)**

|                          |                            |  |
|--------------------------|----------------------------|--|
| Boom Length              | m                          | 15 to 72   |
| Ground Contact Pressure  | kPa (kgf/cm <sup>2</sup> ) | 97 (0.99)<br>(Boom longest length + 35 t aux. sheave + 12 t hook attached)         |
| Overall Operating Weight | t                          | Approximately 131<br>(Boom longest length + 35 t aux. sheave + 12 t hook attached) |



**Crane Specification  
(Boom Longest Length with Crane Jib)**

|                                 |                            |  |
|---------------------------------|----------------------------|--|
| Boom Length                     | m                          | 24 to 63   |
| Crane Jib Length                | m                          | 10 to 28   |
| Boom + Crane Jib Longest Length | m                          | 63 + 28  |
| Ground Contact Pressure         | kPa (kgf/cm <sup>2</sup> ) | 97 (0.99)<br>(Boom + crane jib longest length 35 t + 12 t hook attached)         |
| Overall Operating Weight        | t                          | Approximately 131<br>(Boom + crane jib longest length 35 t + 12 t hook attached) |

**Tower Specification  
(Tower + Tower Jib Longest Length)**

|                                  |                            |   |
|----------------------------------|----------------------------|---|
| Tower Length                     | m                          | 30.35 to 51.35  |
| Tower Jib Length                 | m                          | 24 to 45  |
| Tower + Tower Jib Longest Length | m                          | 51.35 + 45  |
| Ground Contact Pressure          | kPa (kgf/cm <sup>2</sup> ) | 102 (1.04)<br>(Tower + tower jib longest length with 35 t hook attached)        |
| Overall Operating Weight         | t                          | Approximately 137<br>(Tower + tower jib longest length with 35 t hook attached) |

## VARIATION

|                                    |          |
|------------------------------------|----------|
| <b>Variation of The Attachment</b> | <b>2</b> |
|------------------------------------|----------|

## SPECIFICATIONS

|   |           |
|---|-----------|
| <b>Specifications</b>   | <b>6</b>  |
| <b>Crane Specifications</b>   | <b>7</b>  |
| <b>Dimensions and Specifications</b> .....  | <b>7</b>  |
| <b>Boom and Crane Jib Configurations</b> .....                                      | <b>8</b>  |
| <b>Combination of Boom and Crane Jib (Offset Angle 10° and 30°)</b> .....           | <b>10</b> |
| <b>Working Ranges</b> .....   | <b>11</b> |
| ■ Main Boom (With Crane Boom Extensions).....                                       | 11        |
| ■ Aux. Sheave (With Crane Boom Extensions).....                                     | 12        |
| ■ Crane Jib (With Crane Boom Extensions).....                                       | 13        |
| ■ Main Boom (With Tower Boom Extensions).....                                       | 14        |
| ■ Aux. Sheave (With Tower Boom Extensions).....                                     | 15        |
| ■ Crane Jib (With Tower Boom Extensions).....                                       | 16        |
| <b>Gross Rated Load Table</b> .....   | <b>17</b> |
| ■ Main Boom (With Crane Boom Extensions).....                                       | 17        |
| ■ Aux. Sheave (With Crane Boom Extensions).....                                     | 18        |
| ■ Main Boom with Aux. Sheave (With Crane Boom Extensions) .....                     | 19        |
| ■ Crane Jib (With Crane Boom Extensions).....                                       | 20        |
| ■ Main Boom with Crane Jib (With Crane Boom Extensions).....                        | 27        |
| ■ Main Boom (Using Third Winch) (With Crane Boom Extensions).....                   | 34        |
| ■ Main Boom with Aux. Sheave (Using Third Winch) (With Crane Boom Extensions) ..... | 35        |
| ■ Main Boom (With Tower Boom Extensions).....                                       | 36        |
| ■ Aux. Sheave (With Tower Boom Extensions).....                                     | 37        |
| ■ Main Boom with Aux. Sheave (With Tower Boom Extensions) .....                     | 38        |
| ■ Crane Jib (With Tower Boom Extensions).....                                       | 39        |
| ■ Main Boom with Crane Jib (With Tower Boom Extensions).....                        | 46        |
| ■ Main Boom (Using Third Winch) (With Tower Boom Extensions) .....                  | 53        |
| ■ Main Boom with Aux. Sheave (Using Third Winch) (With Tower Boom Extensions).....  | 54        |

|   |           |
|---|-----------|
| <b>Tower Specifications</b>                     | <b>55</b> |
| <hr/>   |           |
| <b>Dimensions and Specifications</b> .....      | <b>55</b> |
| <b>Tower and Tower Jib Configurations</b> ..... | <b>56</b> |
| <b>Working Ranges</b> .....                     | <b>58</b> |
| <b>Gross Rated Load Table</b> .....             | <b>59</b> |
| ■ 30.35 m Tower .....                           | 59        |
| ■ 33.35 m Tower .....                           | 59        |
| ■ 36.35 m Tower .....                           | 60        |
| ■ 39.35 m Tower .....                           | 61        |
| ■ 42.35 m Tower .....                           | 62        |
| ■ 45.35 m Tower .....                           | 63        |
| ■ 48.35 m Tower .....                           | 64        |
| ■ 51.35 m Tower .....                           | 66        |
| <br>  |           |
| <b>Clamshell Specifications</b>                 | <b>68</b> |
| <hr/>   |           |
| <b>Dimensions and Specifications</b> .....      | <b>68</b> |
| ■ Working Ranges .....                          | 68        |
| ■ Specifications .....                          | 68        |
| ■ Clamshell Bucket.....                         | 68        |
| ■ Gross Rated Load Table.....                   | 68        |

**TECHNICAL DATA**

|   |           |
|---|-----------|
| <b>Weights and Dimensions of Disassembled Units</b> | <b>69</b> |
| <hr/>   |           |
| Weights and Dimensions List .....                   | 69        |
| <br>  |           |
| <b>Equipment List</b>                               | <b>75</b> |
| <hr/>   |           |
| Standard and Optional Equipment .....               | 75        |

# Specifications



## Engine

|                    |  |
|--------------------|--|
| Model              | ISUZU 6HK1   |
| Type               | 4-cycle, Water-cooled, Direct injection, Turbo-charged, Diesel engine  |
| Displacement       | 7.79 liters  |
| Rated Output       | 200.6 kW / 1,850 min <sup>-1</sup> (272 ps / 1,850 rpm)  |
| Fuel Tank Capacity | 460 liters   |
| Notes              | Engine meets Tier 3 / Stage IIIA of engine exhaust gas emission regulations .<br>Engine rated horsepower is based on international rating formula that includes engine alternator and without fan. |



## Control

|                      |  |
|----------------------|--|
| Control System       | Main actuators are actuated by main hydraulic system controlled with pilot hydraulic system. Safety devices are securely operated by combined various electronic control with hydraulic system. Working speed can be precisely controlled according to control lever stroke and control dials depending on work. |
| Control Levers       | Designed and positioned based on ergonomics. Armchair lever type is standard. Cross operation lever type and front lever type are available as option.   |
| Display Panel Design | 8 inches size. Located to check work state easily without disturbing the view of the operator.   |



## Hydraulic System

|                             |                 |                  |  |
|-----------------------------|-----------------|------------------|--|
| Hydraulic Oil Tank Capacity | 320 liters      |                  |  |
| Hydraulic Pump Capacity     | Max.            | 31.4 MPa         |  |
|                             | P1              | 266 liters / min | for Front, Rear , boom hoist winch and travel      |
|                             | P2              | 266 liters / min | for Front, Rear , third winch and travel           |
|                             | P3              | 152 liters / min | for Swing, Jack and Sideframe connect              |
|                             | P4              | 38 liters / min  | Pilot control, Brake cooling, Reeving tagline, etc |
|                             | P5              | 38 liters / min  |  |
|                             | P6              | 38liters / min   |  |
| P7                          | 30 liters / min |                  |  |



## Winch

| Front and Rear Winch |  |        |                       |
|----------------------|--|--------|-----------------------|
| Winch                | Front  | Rear   |                       |
| Rope Diameter        | 26 mm  | 26 mm  |                       |
| Rope Length          | Standard   | 285 m  | 160 m for Aux. sheave |
|                      | Winding Capacity   | -      | 195 m for Crane jib   |
| Line Pull            | Rated  | 117 kN | 117 kN                |
| Standard Equipment   | High-speed winching is possible by ECO winch mode with low engine speed under light loads. |        |                       |
| Optional Equipment   | Free fall winch with brake controlled by pedal operation.                                  |        |                       |
| Boom Hoist Winch     |  |        |                       |
| Rope Diameter        | 22.4 mm  |        |                       |
| Rope Length          | Incorporated   | 195 m  |                       |

Hydraulic motor with multi-disc brakes.

### Third Winch(Optional)

|               |                  |        |
|---------------|------------------|--------|
| Rope Diameter | 26 mm            |        |
| Rope Length   | Standard         | 220 m  |
|               | Winding Capacity | 220 m  |
| Line Pull     | Rated            | 117 kN |

Free fall winch with brake controled by pedal operation.



## Swing System

Consisted of 2 hydraulic motors with reduction gear and multi-disc brakes and a swing bearing which has inner tooth. Optional swing brake pedal enables operator to control swing precisely.



## Mast

Mast is box structure. Easy assemble for front attachment.



## Counter Weight

|              |                       |          |
|--------------|-----------------------|----------|
| Upper Weight | Total Weight          | 49.6 ton |
|              | 9.1 ton Base Weight   | 1 piece  |
|              | 8.1 ton Insert Weight | 5 pieces |



## Carbody Frame

Welded steel construction with jack up device and crawler sideframe connect cylinders.

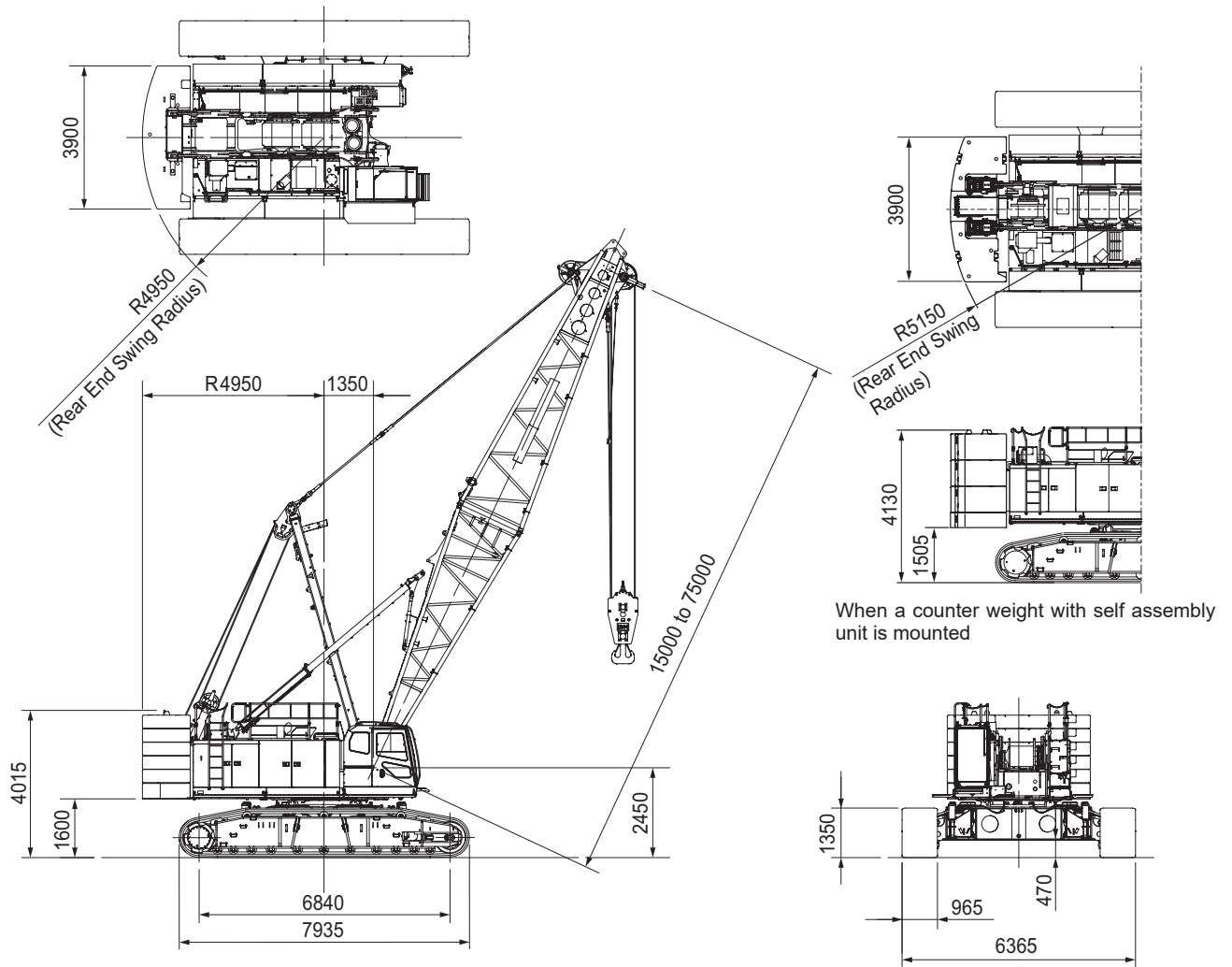


## Crawler Sideframe

|               |   |                                   |
|---------------|---|-----------------------------------|
| Frame         | Welded steel box construction. Hook on and joint pin design for crawler sideframe connection to carbody frame.                              |                                   |
| Crawler Shoe  | Cast iron 965mm width flat shoe each side.  |                                   |
| Upper Roller  | 5 pieces each side.   |                                   |
|               | Double flange type : 3 pieces<br>Single flange type : 2 pieces  |                                   |
| Lower Roller  | 11 pieces each side.<br>Forging heat treated steel with double flange type.<br>2 plane bearing with floating seal for lifetime lubrication. |                                   |
| Travel Device | 1 peace each side.  |                                   |
|               | Hydraulic travel device (Hydrayulic motor and reducer)  |                                   |
|               | Travel speed (Gradability : 30%)  | High : 1.5 km/h<br>Low : 0.9 km/h |

# Crane Specifications

## Dimensions and Specifications



### Crane Specifications

|                                    |                            |   |
|------------------------------------|----------------------------|---|
| Max. Lifting Load × Working Radius | t × m                      | 120×5.0   |
| Basic Boom Length                  | m                          | 15  |
| Max. Boom Length                   | m                          | 75  |
| Max. Crane Jib Length              | m                          | 10 to 28  |
| Max. Boom + Jib Length             | m                          | 63 + 28   |
| Ground Contact Pressure            | kPa (kgf/cm <sup>2</sup> ) | 91 (0.92)<br>(w / Basic Boom, 120 t Hook)         |
| Overall Operating Weight           | t                          | Approximately 122<br>(w / Basic Boom, 120 t Hook) |

### Hook Weight

|       |          |
|-------|----------|
| 120 t | 1,640 kg |
| 80 t  | 1,350 kg |
| 35 t  | 900 kg   |
| 12 t  | 510 kg   |

NOTE : Data is expressed in SI units followed by conventional units in ( ).

### Front/Rear Third Winch Rope No. of Falls and Lifting Load

| Hook Capacity ( t ) | Maximum Rated Load ( t ) |         |         |         |         |         |         |         |         |        |
|---------------------|--------------------------|---------|---------|---------|---------|---------|---------|---------|---------|--------|
|                     | 10 Falls                 | 9 Falls | 8 Falls | 7 Falls | 6 Falls | 5 Falls | 4 Falls | 3 Falls | 2 Falls | 1 Fall |
| 120                 | 120                      | 108     | 96      | 84      | 72      | 60      | 48      | 36      | 24      | -      |
| 80                  | -                        | -       | -       | 80      | 72      | 60      | 48      | 36      | 24      | -      |
| 35                  | -                        | -       | -       | -       | -       | -       | -       | 35      | 24      | -      |
| 12                  | -                        | -       | -       | -       | -       | -       | -       | -       | -       | 12     |

# Boom and Crane Jib Configurations

## With Crane Boom Extensions

| Boom (1/2)      |                     |
|-----------------|---------------------|
| Boom Length (m) | Boom Configurations |
| 15              |                     |
| 18              |                     |
| 21              |                     |
| 24              |                     |
| 27              |                     |
| 30              |                     |
| 33              |                     |
| 36              |                     |
| 39              |                     |
| 42              |                     |
| 45              |                     |

| Boom (2/2)      |                     |
|-----------------|---------------------|
| Boom Length (m) | Boom Configurations |
| 48              |                     |
| 51              |                     |
| 54              |                     |
| 57              |                     |
| 60              |                     |
| 63              |                     |
| 66              |                     |
| 69              |                     |
| 72              |                     |
| 75              |                     |

▽ indicates the midpoint pendant rope connection position.

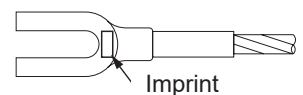
| Aux. Sheave Installable Boom Length |    |    |    |    |    |    |    |    |    |    |    |    |    |    |    |    |    |    |    |    |    |   |
|-------------------------------------|----|----|----|----|----|----|----|----|----|----|----|----|----|----|----|----|----|----|----|----|----|---|
| Boom Length (m)                     | 15 | 18 | 21 | 24 | 27 | 30 | 33 | 36 | 39 | 42 | 45 | 48 | 51 | 54 | 57 | 60 | 63 | 66 | 69 | 72 | 75 |   |
| With Aux. Sheave                    | ○  | ○  | ○  | ○  | ○  | ○  | ○  | ○  | ○  | ○  | ○  | ○  | ○  | ○  | ○  | ○  | ○  | ○  | ○  | ○  | ○  | × |

(○: Attachable ×: Not Attachable)

Check the pendant rope with referring to the imprints on the rope end.

| Dimensions Not Shown In The Figure |                 |      |
|------------------------------------|-----------------|------|
| Symbols                            | Boom Length (m) | Note |
| 3                                  | 3               |      |
| 6                                  | 6               |      |
| 7.5                                | 7.5             |      |
| 9                                  | 9               |      |

| Pendant Rope |            |                    |                       |
|--------------|------------|--------------------|-----------------------|
| Symbols      | Length (m) | Rope Diameter (mm) | Imprint               |
| 1.2          | 1.2        | 40                 | □ · △ · 40 · 1.2 · C  |
| 2.6          | 2.55       | 40                 | □ · △ · 40 · 2.55 · C |
| 3            | 3          | 40                 | □ · △ · 40 · 3 · C    |
| 6            | 6          | 40                 | □ · △ · 40 · 6 · C    |
| 6.9          | 6.9        | 40                 | □ · △ · 40 · 6.9 · C  |
| 9            | 9          | 40                 | □ · △ · 40 · 9 · C    |



Imprint



With Tower Boom Extensions

| Boom (1/2)      |                     |
|-----------------|---------------------|
| Boom Length (m) | Boom Configurations |
| 15              |                     |
| 18              |                     |
| 21              |                     |
| 24              |                     |
| 27              |                     |
| 30              |                     |
| 33              |                     |
| 36              |                     |
| 39              |                     |
| 42              |                     |
|                 |                     |
| 45              |                     |
|                 |                     |

| Boom (2/2)      |                     |
|-----------------|---------------------|
| Boom Length (m) | Boom Configurations |
| 48              |                     |
| 51              |                     |
| 54              |                     |
|                 |                     |
| 57              |                     |
|                 |                     |
| 60              |                     |
|                 |                     |
| 63              |                     |
|                 |                     |
| 66              |                     |
|                 |                     |
| 69              |                     |
|                 |                     |
| 72              |                     |
|                 |                     |
| 75              |                     |

▽ indicates the midpoint pendant rope connection position.

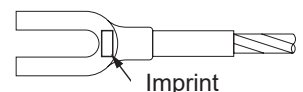
| Aux. Sheave Installable Boom Length |    |    |    |    |    |    |    |    |    |    |    |    |    |    |    |    |    |    |    |    |    |   |
|-------------------------------------|----|----|----|----|----|----|----|----|----|----|----|----|----|----|----|----|----|----|----|----|----|---|
| Boom Length (m)                     | 15 | 18 | 21 | 24 | 27 | 30 | 33 | 36 | 39 | 42 | 45 | 48 | 51 | 54 | 57 | 60 | 63 | 66 | 69 | 72 | 75 |   |
| With Aux. Sheave                    | ○  | ○  | ○  | ○  | ○  | ○  | ○  | ○  | ○  | ○  | ○  | ○  | ○  | ○  | ○  | ○  | ○  | ○  | ○  | ○  | ○  | × |

(○ : Attachable × : Not Attachable)

| Dimensions Not Shown In The Figure |                 |      |
|------------------------------------|-----------------|------|
| Symbols                            | Boom Length (m) | Note |
| 3                                  | 3               |      |
| 6                                  | 6               |      |
| 7.5                                | 7.5             |      |
| 9                                  | 9               |      |

Check the pendant rope with referring to the imprints on the rope end.

| Pendant Rope |            |                    |                       |
|--------------|------------|--------------------|-----------------------|
| Symbols      | Length (m) | Rope Diameter (mm) | Imprint               |
| 1.2          | 1.2        | 40                 | □ · △ · 40 · 1.2 · C  |
| 2.6          | 2.55       | 40                 | □ · △ · 40 · 2.55 · C |
| 3            | 3          | 40                 | □ · △ · 40 · 3 · C    |
| 6            | 6          | 40                 | □ · △ · 40 · 6 · C    |
| 6.9          | 6.9        | 40                 | □ · △ · 40 · 6.9 · C  |
| 9            | 9          | 40                 | □ · △ · 40 · 9 · C    |



# Combination of Boom and Crane Jib (Offset Angle 10° and 30°)

| Combination of Boom and Crane Jib (Offset Angle 10° and 30°) |    |    |    |    |    |    |    |    |    |    |    |    |    |    |    |    |    |    |    |    |    |
|--|----|----|----|----|----|----|----|----|----|----|----|----|----|----|----|----|----|----|----|----|----|
| Boom Length (m)  | 15 | 18 | 21 | 24 | 27 | 30 | 33 | 36 | 39 | 42 | 45 | 48 | 51 | 54 | 57 | 60 | 63 | 66 | 69 | 72 | 75 |
| Jib Length (m)   | 10 | ×  | ×  | ×  | ○  | ○  | ○  | ○  | ○  | ○  | ○  | ○  | ○  | ○  | ○  | ○  | ○  | ×  | ×  | ×  | ×  |
|  | 16 | ×  | ×  | ×  | ○  | ○  | ○  | ○  | ○  | ○  | ○  | ○  | ○  | ○  | ○  | ○  | ○  | ×  | ×  | ×  | ×  |
|  | 22 | ×  | ×  | ×  | ○  | ○  | ○  | ○  | ○  | ○  | ○  | ○  | ○  | ○  | ○  | ○  | ○  | ×  | ×  | ×  | ×  |
|  | 28 | ×  | ×  | ×  | ○  | ○  | ○  | ○  | ○  | ○  | ○  | ○  | ○  | ○  | ○  | ○  | ○  | ×  | ×  | ×  | ×  |

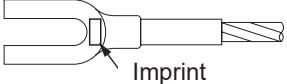
(○ : Attachable × : Not Attachable)

| Crane Jib (Offset Angle 10° and 30°) |              |                          |
|--------------------------------------|--------------|--------------------------|
| Crane Jib Length (m)                 | Offset Angle | Crane Jib Configurations |
| 10                                   | 10°          |                          |
|                                      | 30°          |                          |
| 16                                   | 10°          |                          |
|                                      | 30°          |                          |
| 22                                   | 10°          |                          |
|                                      | 30°          |                          |
| 28                                   | 10°          |                          |
|                                      | 30°          |                          |

| Dimensions Not Shown In The Figure |                |      |
|------------------------------------|----------------|------|
| Symbols                            | Jib Length (m) | Note |
| 5                                  | 5              |      |
| 6                                  | 6              |      |

Check the pendant rope with referring to the imprints on the rope end.

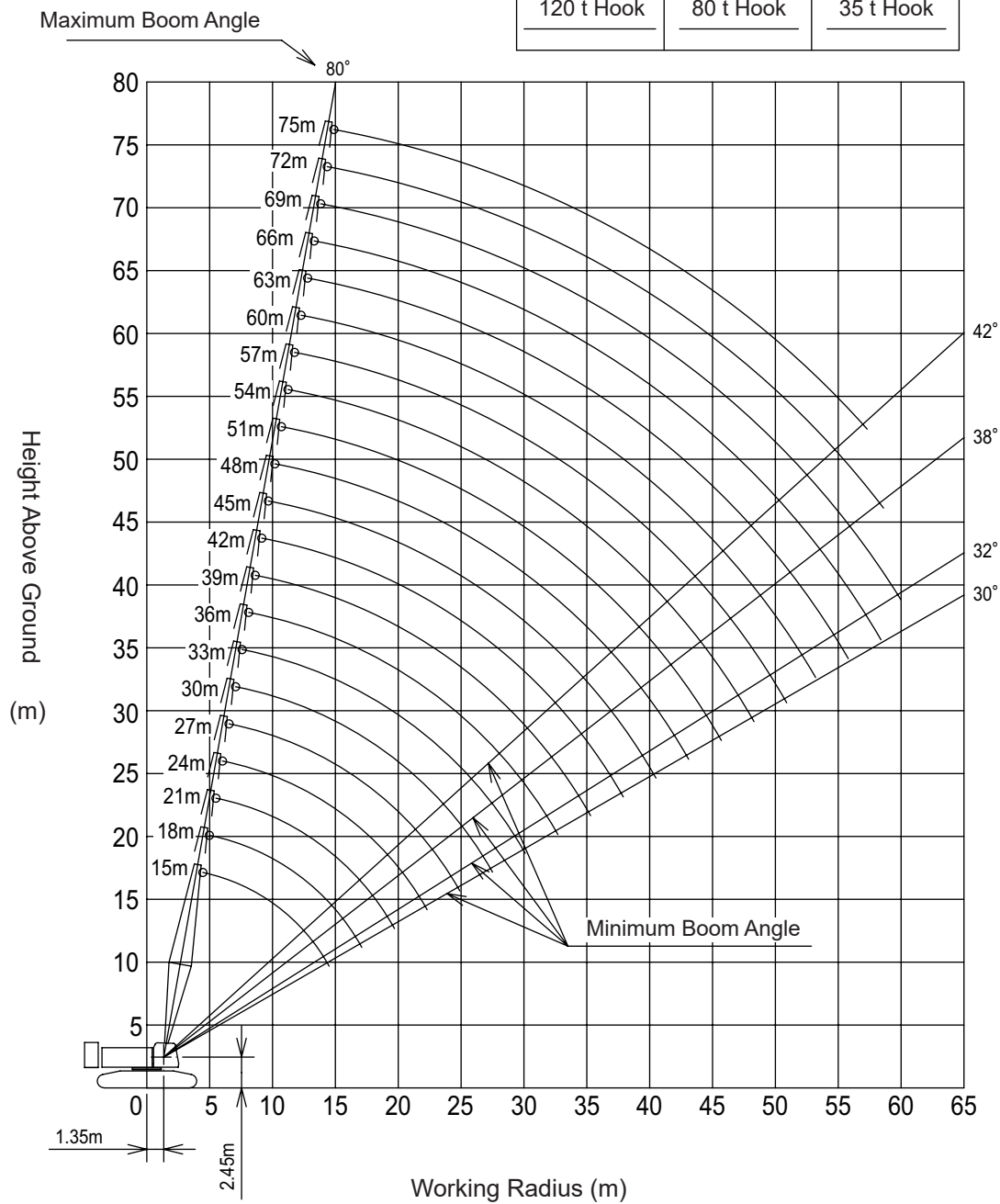
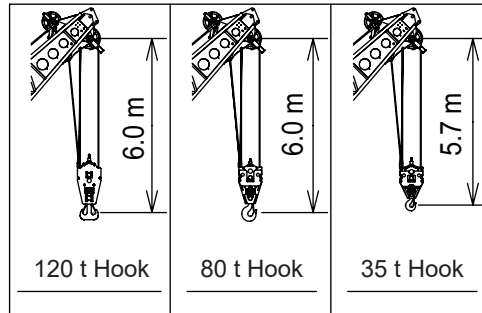
| Jib Pendant Rope |            |                    |                      |
|------------------|------------|--------------------|----------------------|
| Symbols          | Length (m) | Rope Diameter (mm) | Imprint              |
| 1.4              | 1.4        | 24                 | □ · △ · 24 · 1.4 · S |
| 5.7              | 5.7        | 24                 | □ · △ · 24 · 5.7 · S |
| 9.6              | 9.6        | 24                 | □ · △ · 24 · 9.6 · S |
| 10               | 10         | 26                 | □ · △ · 26 · 10 · S  |



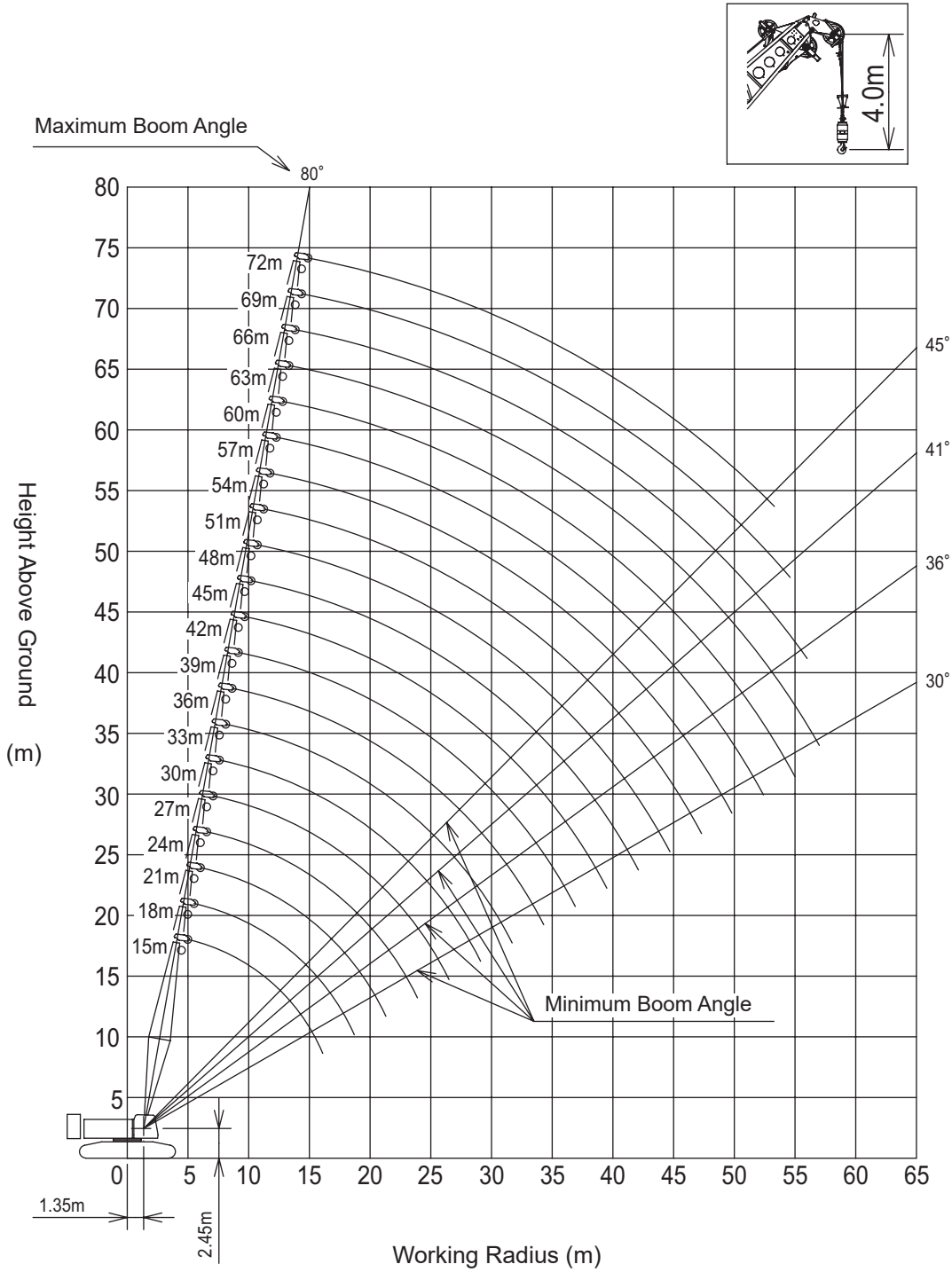
Imprint

# Working Ranges

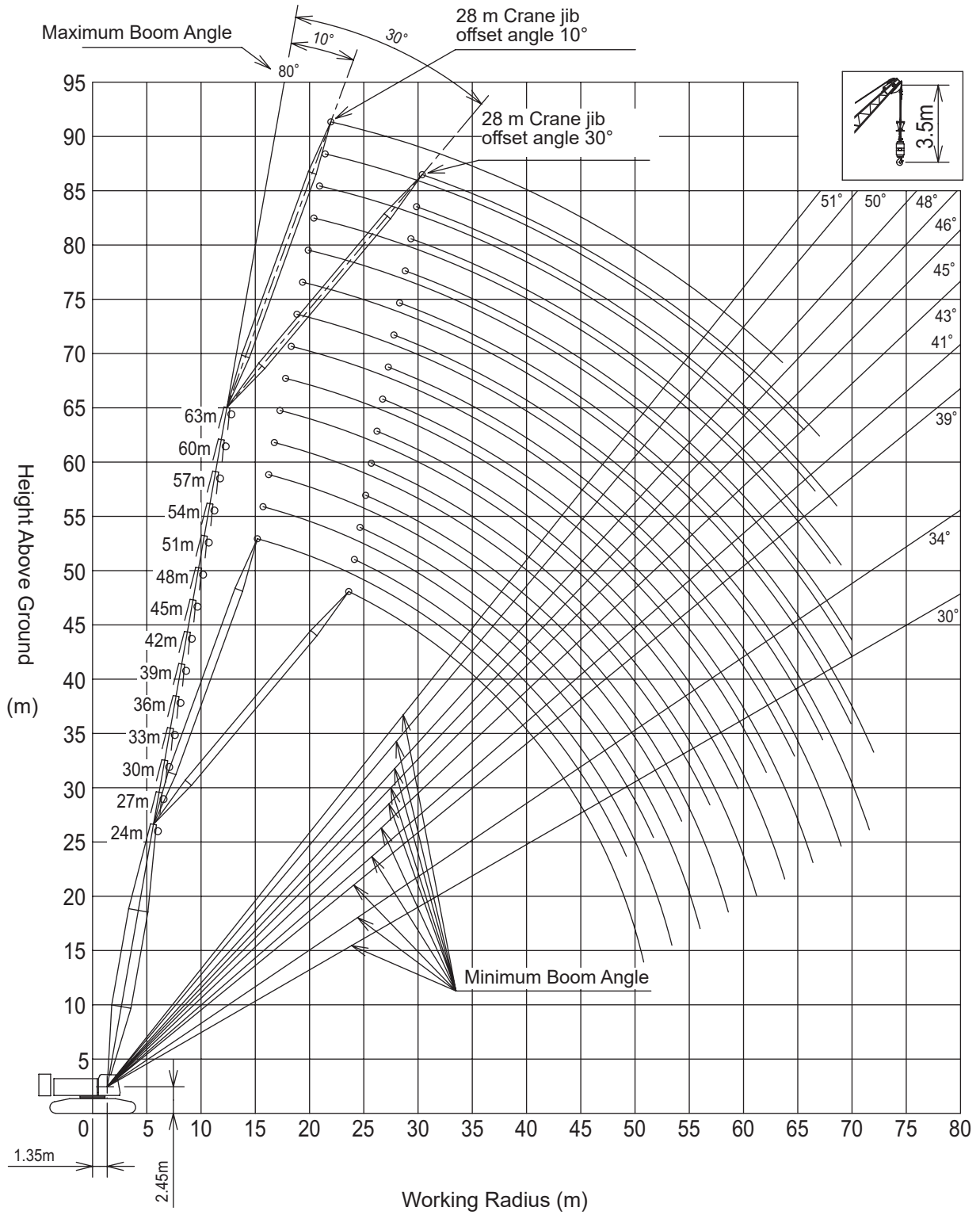
## ■ Main Boom (With Crane Boom Extensions)



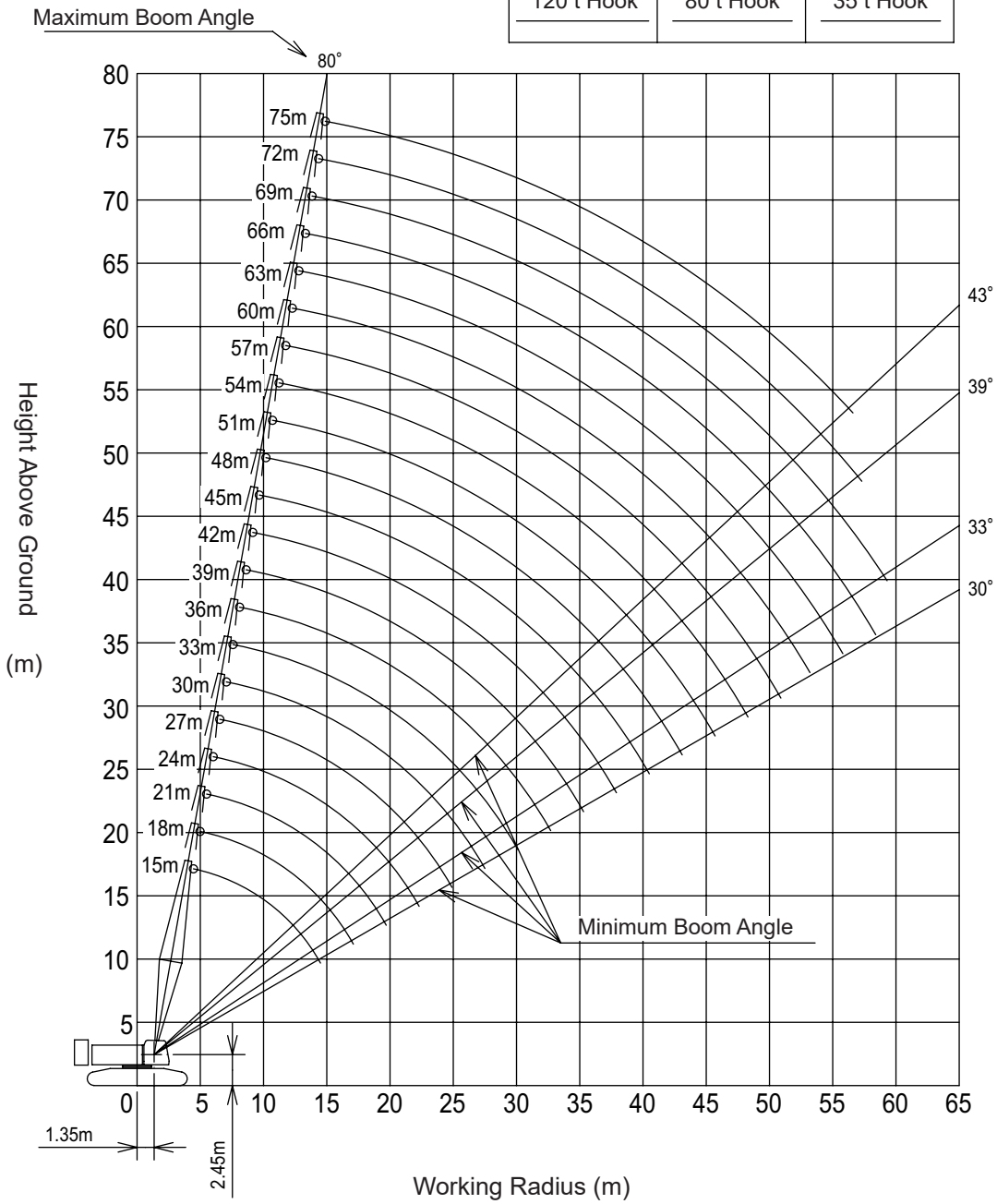
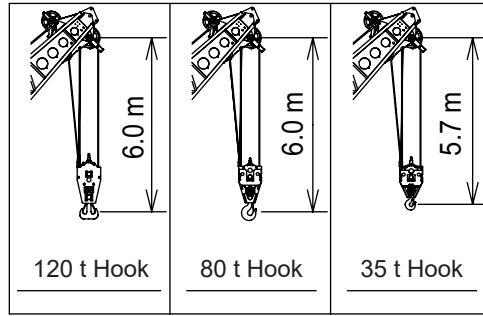
■ Aux. Sheave (With Crane Boom Extensions)



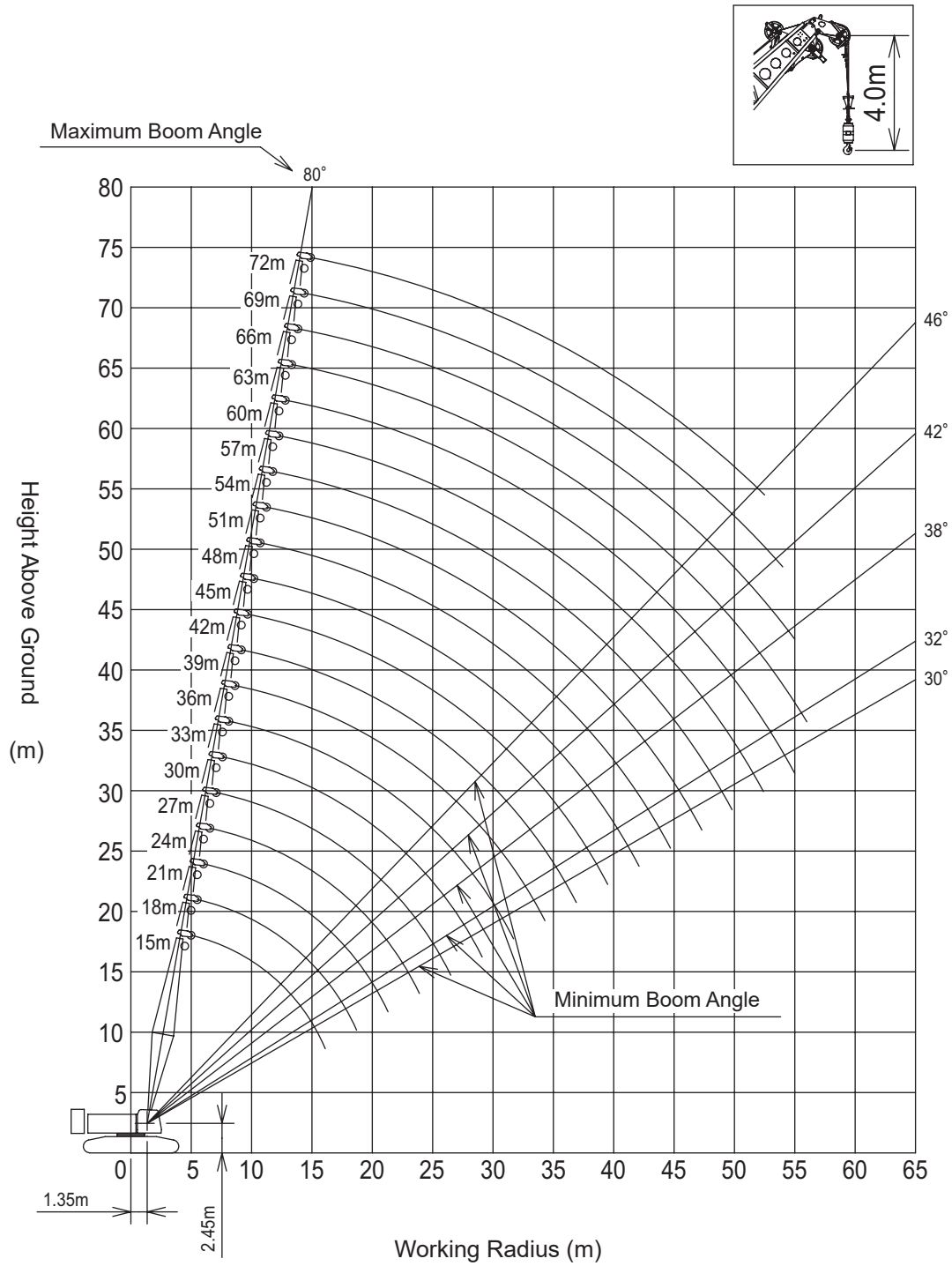
■ Crane Jib (With Crane Boom Extensions)



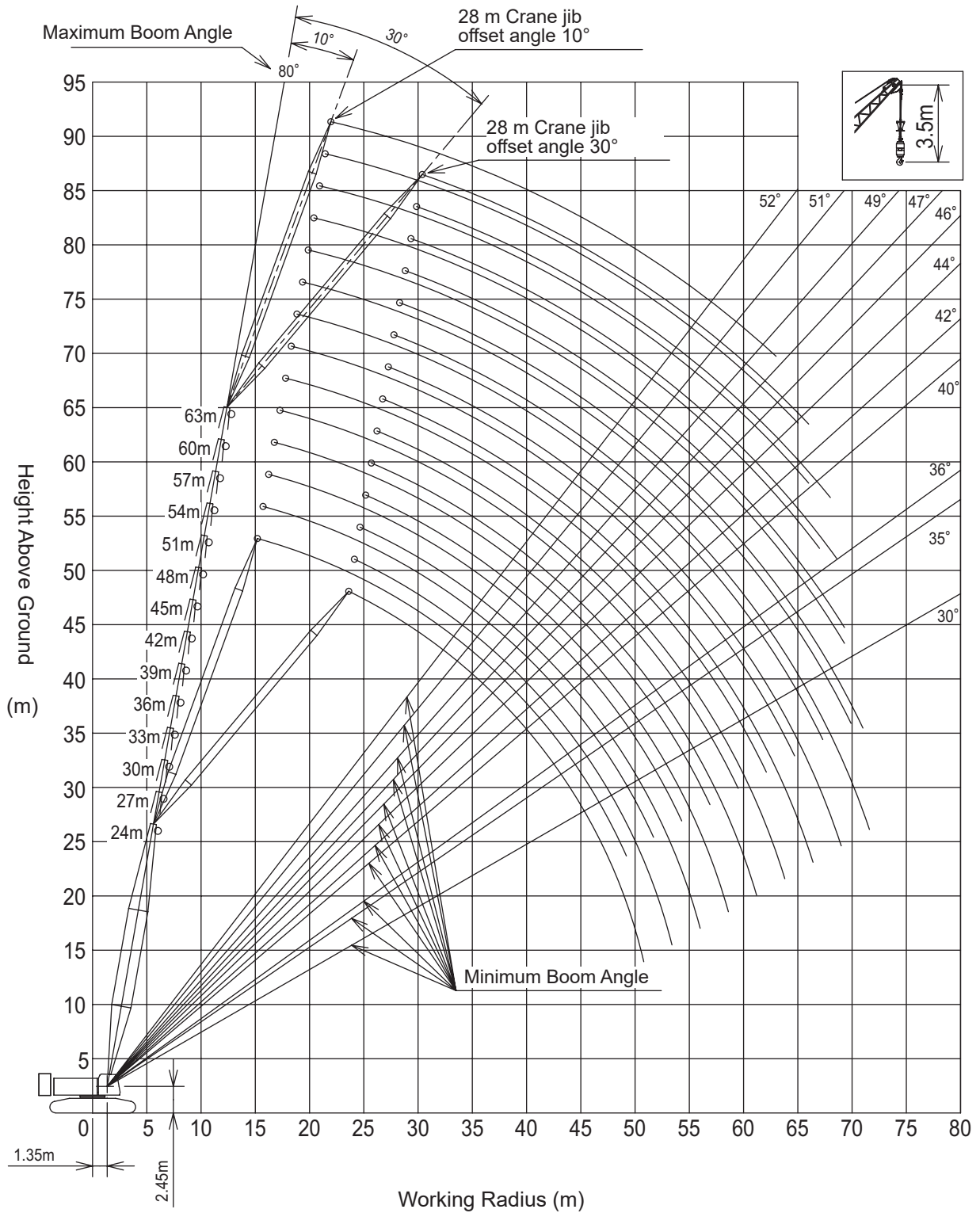
■ Main Boom (With Tower Boom Extensions)



■ Aux. Sheave (With Tower Boom Extensions)



■ Crane Jib (With Tower Boom Extensions)





# Gross Rated Load Table

## Main Boom (With Crane Boom Extensions)



| Working Radius (m) | Boom length (m) |             |             |             |             |             |             |             |            |            |             | Working Radius (m) |
|--------------------|-----------------|-------------|-------------|-------------|-------------|-------------|-------------|-------------|------------|------------|-------------|--------------------|
|                    | 15              | 18          | 21          | 24          | 27          | 30          | 33          | 36          | 39         | 42         | 45          |                    |
| 4.6                | 120.0           |             |             |             |             |             |             |             |            |            |             | 4.6                |
| 5.0                | 120.0           | 115.8 / 5.2 |             |             |             |             |             |             |            |            |             | 5.0                |
| 5.5                | 109.9           | 109.7       | 105.9 / 5.7 |             |             |             |             |             |            |            |             | 5.5                |
| 6.0                | 101.1           | 100.9       | 100.7       | 96.0 / 6.3  | 84.0 / 6.8  |             |             |             |            |            |             | 6.0                |
| 7.0                | 87.0            | 86.8        | 86.7        | 86.6        | 84.0        | 72.0 / 7.4  | 72.0 / 7.9  |             |            |            |             | 7.0                |
| 8.0                | 76.3            | 76.1        | 75.9        | 75.9        | 75.7        | 72.0        | 72.0        | 60.0 / 8.5  |            |            |             | 8.0                |
| 9.0                | 64.8            | 64.8        | 64.8        | 64.8        | 64.8        | 64.8        | 63.7        | 60.0        | 60.0       | 48.0 / 9.6 |             | 9.0                |
| 10.0               | 55.4            | 55.5        | 55.4        | 55.4        | 55.4        | 55.4        | 55.3        | 54.9        | 53.8       | 48.0       | 48.0 / 10.1 | 10.0               |
| 12.0               | 42.7            | 42.8        | 42.7        | 42.7        | 42.6        | 42.6        | 42.5        | 42.4        | 42.3       | 42.3       | 41.6        | 12.0               |
| 14.0               | 34.5            | 34.5        | 34.5        | 34.5        | 34.4        | 34.4        | 34.2        | 34.1        | 34.0       | 34.0       | 33.8        | 14.0               |
| 16.0               | 32.9 / 14.5     | 28.8        | 28.7        | 28.7        | 28.6        | 28.6        | 28.5        | 28.3        | 28.2       | 28.2       | 28.0        | 16.0               |
| 18.0               |                 | 26.3 / 17.1 | 24.5        | 24.5        | 24.3        | 24.3        | 24.2        | 24.1        | 23.9       | 23.9       | 23.7        | 18.0               |
| 20.0               |                 |             | 21.6 / 19.7 | 21.2        | 21.1        | 21.0        | 20.9        | 20.8        | 20.6       | 20.6       | 20.4        | 20.0               |
| 22.0               |                 |             |             | 18.6        | 18.5        | 18.4        | 18.3        | 18.2        | 18.0       | 17.9       | 17.7        | 22.0               |
| 24.0               |                 |             |             | 18.3 / 22.3 | 16.4        | 16.3        | 16.2        | 16.0        | 15.9       | 15.8       | 15.6        | 24.0               |
| 26.0               |                 |             |             |             | 15.5 / 24.9 | 14.6        | 14.4        | 14.3        | 14.1       | 14.1       | 13.8        | 26.0               |
| 28.0               |                 |             |             |             |             | 13.4 / 27.5 | 13.0        | 12.8        | 12.7       | 12.6       | 12.4        | 28.0               |
| 30.0               |                 |             |             |             |             |             | 11.7        | 11.5        | 11.4       | 11.3       | 11.1        | 30.0               |
| 32.0               |                 |             |             |             |             |             | 11.7 / 30.1 | 10.5        | 10.3       | 10.2       | 10.0        | 32.0               |
| 34.0               |                 |             |             |             |             |             |             | 10.1 / 32.7 | 9.4        | 9.3        | 9.1         | 34.0               |
| 36.0               |                 |             |             |             |             |             |             |             | 8.8 / 35.3 | 8.4        | 8.2         | 36.0               |
| 38.0               |                 |             |             |             |             |             |             |             |            | 7.7 / 37.9 | 7.5         | 38.0               |
| 40.0               |                 |             |             |             |             |             |             |             |            |            | 6.8         | 40.0               |
| 42.0               |                 |             |             |             |             |             |             |             |            |            | 6.7 / 40.5  | 42.0               |

| Working Radius (m) | Boom length (m) |             |             |             |             |             |            |             |             |             | Working Radius (m) |
|--------------------|-----------------|-------------|-------------|-------------|-------------|-------------|------------|-------------|-------------|-------------|--------------------|
|                    | 48              | 51          | 54          | 57          | 60          | 63          | 66         | 69          | 72          | 75          |                    |
| 10.0               | 36.0 / 10.6     | 36.0 / 11.2 | 36.0 / 11.7 |             |             |             |            |             |             |             | 10.0               |
| 12.0               | 36.0            | 36.0        | 36.0        | 36.0 / 12.3 | 24.0 / 12.9 | 24.0 / 13.5 |            |             |             |             | 12.0               |
| 14.0               | 33.8            | 33.3        | 32.5        | 31.8        | 24.0        | 24.0        | 24.0       | 24.0 / 14.5 | 23.7 / 15.1 | 21.0 / 15.6 | 14.0               |
| 16.0               | 27.9            | 27.8        | 27.6        | 27.2        | 24.0        | 24.0        | 24.0       | 24.0        | 23.2        | 20.8        | 16.0               |
| 18.0               | 23.6            | 23.5        | 23.3        | 23.1        | 22.9        | 22.4        | 21.8       | 21.3        | 20.7        | 20.0        | 18.0               |
| 20.0               | 20.3            | 20.2        | 20.0        | 19.8        | 19.8        | 19.6        | 19.1       | 18.6        | 18.0        | 17.5        | 20.0               |
| 22.0               | 17.7            | 17.5        | 17.3        | 17.2        | 17.1        | 16.9        | 16.8       | 16.3        | 15.8        | 15.4        | 22.0               |
| 24.0               | 15.6            | 15.4        | 15.2        | 15.0        | 15.0        | 14.8        | 14.6       | 14.4        | 14.0        | 13.6        | 24.0               |
| 26.0               | 13.8            | 13.6        | 13.4        | 13.3        | 13.2        | 13.0        | 12.8       | 12.7        | 12.5        | 12.0        | 26.0               |
| 28.0               | 12.3            | 12.1        | 11.9        | 11.8        | 11.7        | 11.5        | 11.3       | 11.2        | 10.9        | 10.7        | 28.0               |
| 30.0               | 11.0            | 10.9        | 10.7        | 10.5        | 10.4        | 10.2        | 10.1       | 9.9         | 9.7         | 9.5         | 30.0               |
| 32.0               | 9.9             | 9.8         | 9.6         | 9.4         | 9.3         | 9.1         | 8.9        | 8.8         | 8.6         | 8.4         | 32.0               |
| 34.0               | 9.0             | 8.8         | 8.6         | 8.4         | 8.4         | 8.1         | 8.0        | 7.8         | 7.6         | 7.4         | 34.0               |
| 36.0               | 8.1             | 8.0         | 7.8         | 7.6         | 7.5         | 7.3         | 7.1        | 7.0         | 6.7         | 6.6         | 36.0               |
| 38.0               | 7.4             | 7.2         | 7.0         | 6.8         | 6.8         | 6.5         | 6.4        | 6.2         | 6.0         | 5.8         | 38.0               |
| 40.0               | 6.7             | 6.6         | 6.3         | 6.2         | 6.1         | 5.9         | 5.7        | 5.5         | 5.3         | 5.1         | 40.0               |
| 42.0               | 6.1             | 6.0         | 5.8         | 5.6         | 5.5         | 5.3         | 5.1        | 4.9         | 4.7         | 4.5         | 42.0               |
| 44.0               | 5.8 / 43.1      | 5.4         | 5.2         | 5.0         | 4.9         | 4.7         | 4.6        | 4.4         | 4.2         | 4.0         | 44.0               |
| 46.0               |                 | 5.0 / 45.7  | 4.7         | 4.6         | 4.5         | 4.2         | 4.1        | 3.9         | 3.7         | 3.5         | 46.0               |
| 48.0               |                 |             | 4.3         | 4.1         | 4.0         | 3.8         | 3.6        | 3.4         | 3.2         | 3.0         | 48.0               |
| 50.0               |                 |             | 4.2 / 48.3  | 3.7         | 3.6         | 3.4         | 3.2        | 3.0         | 2.8         | 2.6         | 50.0               |
| 52.0               |                 |             |             | 3.6 / 50.9  | 3.2         | 3.0         | 2.8        | 2.7         | 2.4         | 2.3         | 52.0               |
| 54.0               |                 |             |             |             | 3.0 / 53.2  | 2.7         | 2.5        | 2.3         | 2.1         | 1.9         | 54.0               |
| 56.0               |                 |             |             |             |             | 2.4 / 55.8  | 2.2        | 2.0         | 1.8         | 1.6         | 56.0               |
| 58.0               |                 |             |             |             |             |             | 1.9        | 1.7         | 1.5         | 1.4 / 57.3  | 58.0               |
| 60.0               |                 |             |             |             |             |             | 1.8 / 58.4 | 1.4         | 1.4 / 58.6  |             | 60.0               |

- The rated loads are determined according to EN13000 rating with the machine on firm level ground.
- The figures surrounded by bold lines are based on factors other than those which would cause a tipping condition.
- To calculate the maximum load that can actually be lifted, deduct weight of all lifting accessories, such as boom hook and jib hook, from figures shown above.
- Working radius is the horizontal distance from the slewing center to the center of gravity of a lifted load.
- The counter weight is 49.6 ton.
- Correlation between the number of reeved lines, maximum rated loads, hook weights are shown in the table below.

| Hook Capacity (t) | Hook Weight (t) | Maximum rated loads (t) |        |        |        |        |        |        |        |        |       |
|-------------------|-----------------|-------------------------|--------|--------|--------|--------|--------|--------|--------|--------|-------|
|                   |                 | 10falls                 | 9falls | 8falls | 7falls | 6falls | 5falls | 4falls | 3falls | 2falls | 1fall |
| 120               | 1.64            | 120                     | 108    | 96     | 84     | 72     | 60     | 48     | 36     | 24     |       |
| 80                | 1.35            |                         |        |        | 80     | 72     | 60     | 48     | 36     | 24     |       |
| 35                | 0.90            |                         |        |        |        |        |        |        | 35     | 24     |       |
| 12                | 0.51            |                         |        |        |        |        |        |        |        |        | 12    |

■ Aux. Sheave (With Crane Boom Extensions)



| Radius (m) | Boom length (m) |            |            |            |            |            |            |           |            |            |            | Radius (m) |
|------------|-----------------|------------|------------|------------|------------|------------|------------|-----------|------------|------------|------------|------------|
|            | 15              | 18         | 21         | 24         | 27         | 30         | 33         | 36        | 39         | 42         | 45         |            |
| 5.8        | 12.0            |            |            |            |            |            |            |           |            |            |            | 5.8        |
| 6.0        | 12.0            | 12.0 /6.3  | 12.0 /6.9  |            |            |            |            |           |            |            |            | 6.0        |
| 7.0        | 12.0            | 12.0       | 12.0       | 12.0 /7.4  |            |            |            |           |            |            |            | 7.0        |
| 8.0        | 12.0            | 12.0       | 12.0       | 12.0       | 12.0       | 12.0 /8.5  |            |           |            |            |            | 8.0        |
| 9.0        | 12.0            | 12.0       | 12.0       | 12.0       | 12.0       | 12.0       | 12.0       | 12.0 /9.6 |            |            |            | 9.0        |
| 10.0       | 12.0            | 12.0       | 12.0       | 12.0       | 12.0       | 12.0       | 12.0       | 12.0      | 12.0 /10.1 | 12.0 /10.7 | 12.0 /11.2 | 10.0       |
| 12.0       | 12.0            | 12.0       | 12.0       | 12.0       | 12.0       | 12.0       | 12.0       | 12.0      | 12.0       | 12.0       | 12.0       | 12.0       |
| 14.0       | 12.0            | 12.0       | 12.0       | 12.0       | 12.0       | 12.0       | 12.0       | 12.0      | 12.0       | 12.0       | 12.0       | 14.0       |
| 16.0       | 12.0            | 12.0       | 12.0       | 12.0       | 12.0       | 12.0       | 12.0       | 12.0      | 12.0       | 12.0       | 12.0       | 16.0       |
| 18.0       | 12.0 /16.1      | 12.0       | 12.0       | 12.0       | 12.0       | 12.0       | 12.0       | 12.0      | 12.0       | 12.0       | 12.0       | 18.0       |
| 20.0       |                 | 12.0 /18.7 | 12.0       | 12.0       | 12.0       | 12.0       | 12.0       | 12.0      | 12.0       | 12.0       | 12.0       | 20.0       |
| 22.0       |                 |            | 12.0 /21.3 | 12.0       | 12.0       | 12.0       | 12.0       | 12.0      | 12.0       | 12.0       | 12.0       | 22.0       |
| 24.0       |                 |            |            | 12.0 /23.9 | 12.0       | 12.0       | 12.0       | 12.0      | 12.0       | 12.0       | 12.0       | 24.0       |
| 26.0       |                 |            |            |            | 12.0       | 12.0       | 12.0       | 12.0      | 12.0       | 12.0       | 12.0       | 26.0       |
| 28.0       |                 |            |            |            | 12.0 /26.5 | 12.0       | 12.0       | 12.0      | 12.0       | 12.0       | 12.0       | 28.0       |
| 30.0       |                 |            |            |            |            | 12.0 /29.1 | 11.5       | 11.4      | 11.2       | 11.1       | 10.9       | 30.0       |
| 32.0       |                 |            |            |            |            |            | 10.6 /31.7 | 10.3      | 10.1       | 10.0       | 9.8        | 32.0       |
| 34.0       |                 |            |            |            |            |            |            | 9.3       | 9.2        | 9.1        | 8.8        | 34.0       |
| 36.0       |                 |            |            |            |            |            |            | 9.2 /34.3 | 8.3        | 8.2        | 8.0        | 36.0       |
| 38.0       |                 |            |            |            |            |            |            |           | 8.0 /36.9  | 7.5        | 7.2        | 38.0       |
| 40.0       |                 |            |            |            |            |            |            |           |            | 7.0 /39.5  | 6.6        | 40.0       |
| 42.0       |                 |            |            |            |            |            |            |           |            |            | 6.0        | 42.0       |
| 44.0       |                 |            |            |            |            |            |            |           |            |            | 6.0 /42.1  | 44.0       |

| Radius (m) | Boom length (m) |            |            |            |           |            |            |            |            | Radius (m) |
|------------|-----------------|------------|------------|------------|-----------|------------|------------|------------|------------|------------|
|            | 48              | 51         | 54         | 57         | 60        | 63         | 66         | 69         | 72         |            |
| 10.0       | 12.0 /11.8      |            |            |            |           |            |            |            |            | 10.0       |
| 12.0       | 12.0            | 12.0 /12.3 | 12.0 /12.9 | 12.0 /13.4 |           |            |            |            |            | 12.0       |
| 14.0       | 12.0            | 12.0       | 12.0       | 12.0       | 12.0      | 12.0 /14.5 | 12.0 /15.1 | 12.0 /15.6 |            | 14.0       |
| 16.0       | 12.0            | 12.0       | 12.0       | 12.0       | 12.0      | 12.0       | 12.0       | 12.0       | 12.0 /16.2 | 16.0       |
| 18.0       | 12.0            | 12.0       | 12.0       | 12.0       | 12.0      | 12.0       | 12.0       | 12.0       | 12.0       | 18.0       |
| 20.0       | 12.0            | 12.0       | 12.0       | 12.0       | 12.0      | 12.0       | 12.0       | 12.0       | 12.0       | 20.0       |
| 22.0       | 12.0            | 12.0       | 12.0       | 12.0       | 12.0      | 12.0       | 12.0       | 12.0       | 12.0       | 22.0       |
| 24.0       | 12.0            | 12.0       | 12.0       | 12.0       | 12.0      | 12.0       | 12.0       | 12.0       | 12.0       | 24.0       |
| 26.0       | 12.0            | 12.0       | 12.0       | 12.0       | 12.0      | 12.0       | 12.0       | 12.0       | 11.8       | 26.0       |
| 28.0       | 12.0            | 11.9       | 11.7       | 11.5       | 11.5      | 11.3       | 11.1       | 10.9       | 10.5       | 28.0       |
| 30.0       | 10.8            | 10.6       | 10.4       | 10.3       | 10.2      | 10.0       | 9.8        | 9.6        | 9.3        | 30.0       |
| 32.0       | 9.7             | 9.5        | 9.3        | 9.1        | 9.1       | 8.9        | 8.7        | 8.5        | 8.3        | 32.0       |
| 34.0       | 8.7             | 8.6        | 8.4        | 8.2        | 8.1       | 7.9        | 7.7        | 7.5        | 7.3        | 34.0       |
| 36.0       | 7.9             | 7.7        | 7.5        | 7.3        | 7.3       | 7.0        | 6.9        | 6.7        | 6.5        | 36.0       |
| 38.0       | 7.1             | 7.0        | 6.8        | 6.6        | 6.5       | 6.3        | 6.1        | 5.9        | 5.7        | 38.0       |
| 40.0       | 6.5             | 6.3        | 6.1        | 5.9        | 5.8       | 5.6        | 5.4        | 5.2        | 5.0        | 40.0       |
| 42.0       | 5.9             | 5.7        | 5.5        | 5.3        | 5.2       | 5.0        | 4.8        | 4.6        | 4.4        | 42.0       |
| 44.0       | 5.3             | 5.2        | 4.9        | 4.8        | 4.7       | 4.5        | 4.3        | 4.1        | 3.9        | 44.0       |
| 46.0       | 5.2 /44.7       | 4.7        | 4.5        | 4.3        | 4.2       | 4.0        | 3.8        | 3.6        | 3.4        | 46.0       |
| 48.0       |                 | 4.4 /47.3  | 4.0        | 3.8        | 3.7       | 3.5        | 3.3        | 3.1        | 2.9        | 48.0       |
| 50.0       |                 |            | 3.6 /49.8  | 3.4        | 3.3       | 3.1        | 2.9        | 2.7        | 2.5        | 50.0       |
| 52.0       |                 |            |            | 3.1        | 2.9       | 2.7        | 2.5        | 2.3        | 2.1        | 52.0       |
| 54.0       |                 |            |            | 3.0 /52.4  | 2.6       | 2.4        | 2.2        | 2.0        | 1.9 /53.3  | 54.0       |
| 56.0       |                 |            |            |            | 2.4 /55.0 | 2.1        | 1.9        | 1.9 /54.6  |            | 56.0       |
| 58.0       |                 |            |            |            |           | 1.9 /57.0  |            |            |            | 58.0       |

1. The rated loads are determined according to EN13000 rating with the machine on firm level ground.
2. The figures surrounded by bold lines are based on factors other than those which would cause a tipping condition.
3. To calculate the maximum load that can actually be lifted, deduct weight of all lifting accessories, such as boom hook and jib hook, from figures shown above.

| Hook Capacity (t) | Hook Weight (t) |
|-------------------|-----------------|
| 120               | 1.64            |
| 80                | 1.35            |
| 35                | 0.90            |
| 12                | 0.51            |

4. Working radius is the horizontal distance from the slewing center to the center of gravity of a lifted load.
5. The counter weight is 49.6 ton.

■ Main Boom with Aux. Sheave (With Crane Boom Extensions)



| Radius (m) | Boom length (m) |           |           |           |           |           |           |          |          |          |           | Unit: ton  |
|------------|-----------------|-----------|-----------|-----------|-----------|-----------|-----------|----------|----------|----------|-----------|------------|
|            | 15              | 18        | 21        | 24        | 27        | 30        | 33        | 36       | 39       | 42       | 45        | Radius (m) |
| 4.6        | 120.0           |           |           |           |           |           |           |          |          |          |           | 4.6        |
| 5.0        | 119.5           | 114.9/5.2 |           |           |           |           |           |          |          |          |           | 5.0        |
| 5.5        | 109.1           | 108.9     | 105.0/5.7 |           |           |           |           |          |          |          |           | 5.5        |
| 6.0        | 100.2           | 100.0     | 99.9      | 95.1/6.3  | 84.0/6.8  |           |           |          |          |          |           | 6.0        |
| 7.0        | 86.2            | 86.0      | 85.8      | 85.7      | 84.0      | 72.0/7.4  | 72.0/7.9  |          |          |          |           | 7.0        |
| 8.0        | 75.4            | 75.2      | 75.1      | 75.0      | 74.8      | 72.0      | 72.0      | 60.0/8.5 |          |          |           | 8.0        |
| 9.0        | 64.4            | 64.4      | 64.4      | 64.4      | 64.3      | 64.3      | 63.1      | 60.0     | 60.0     | 48.0/9.6 |           | 9.0        |
| 10.0       | 55.0            | 55.1      | 55.0      | 55.0      | 55.0      | 54.9      | 54.8      | 54.2     | 53.1     | 48.0     | 48.0/10.1 | 10.0       |
| 12.0       | 42.4            | 42.4      | 42.3      | 42.3      | 42.2      | 42.2      | 42.1      | 42.0     | 41.9     | 41.8     | 40.9      | 12.0       |
| 14.0       | 34.2            | 34.2      | 34.1      | 34.1      | 34.0      | 34.0      | 33.8      | 33.7     | 33.6     | 33.5     | 33.3      | 14.0       |
| 16.0       | 32.6/14.5       | 28.4      | 28.4      | 28.4      | 28.2      | 28.2      | 28.1      | 27.9     | 27.8     | 27.7     | 27.5      | 16.0       |
| 18.0       |                 | 26.0/17.1 | 24.1      | 24.1      | 24.0      | 23.9      | 23.8      | 23.7     | 23.5     | 23.4     | 23.2      | 18.0       |
| 20.0       |                 |           | 21.3/19.7 | 20.8      | 20.7      | 20.6      | 20.5      | 20.4     | 20.2     | 20.1     | 19.9      | 20.0       |
| 22.0       |                 |           |           | 18.3      | 18.1      | 18.1      | 17.9      | 17.8     | 17.6     | 17.5     | 17.3      | 22.0       |
| 24.0       |                 |           |           | 17.9/22.3 | 16.0      | 15.9      | 15.8      | 15.6     | 15.5     | 15.4     | 15.2      | 24.0       |
| 26.0       |                 |           |           |           | 15.2/24.9 | 14.2      | 14.1      | 13.9     | 13.7     | 13.7     | 13.4      | 26.0       |
| 28.0       |                 |           |           |           |           | 13.1/27.5 | 12.6      | 12.4     | 12.3     | 12.2     | 12.0      | 28.0       |
| 30.0       |                 |           |           |           |           |           | 11.4      | 11.2     | 11.0     | 10.9     | 10.7      | 30.0       |
| 32.0       |                 |           |           |           |           |           | 11.3/30.1 | 10.1     | 10.0     | 9.8      | 9.6       | 32.0       |
| 34.0       |                 |           |           |           |           |           |           | 9.8/32.7 | 9.0      | 8.9      | 8.7       | 34.0       |
| 36.0       |                 |           |           |           |           |           |           |          | 8.5/35.3 | 8.1      | 7.8       | 36.0       |
| 38.0       |                 |           |           |           |           |           |           |          |          | 7.4/37.9 | 7.1       | 38.0       |
| 40.0       |                 |           |           |           |           |           |           |          |          |          | 6.5       | 40.0       |
| 42.0       |                 |           |           |           |           |           |           |          |          |          | 6.3/40.5  | 42.0       |

| Radius (m) | Boom length (m) |           |           |           |           |           |          |           |           | Unit: ton  |
|------------|-----------------|-----------|-----------|-----------|-----------|-----------|----------|-----------|-----------|------------|
|            | 48              | 51        | 54        | 57        | 60        | 63        | 66       | 69        | 72        | Radius (m) |
| 10.0       | 36.0/10.6       | 36.0/11.2 | 36.0/11.7 |           |           |           |          |           |           | 10.0       |
| 12.0       | 36.0            | 36.0      | 36.0      | 36.0/12.3 | 24.0/12.9 | 24.0/13.5 |          |           |           | 12.0       |
| 14.0       | 33.3            | 32.6      | 31.8      | 31.1      | 24.0      | 24.0      | 24.0     | 24.0/14.5 | 22.5/15.1 | 14.0       |
| 16.0       | 27.5            | 27.3      | 27.1      | 26.5      | 24.0      | 24.0      | 24.0     | 23.9      | 22.1      | 16.0       |
| 18.0       | 23.2            | 23.0      | 22.8      | 22.6      | 22.2      | 21.7      | 21.1     | 20.5      | 19.9      | 18.0       |
| 20.0       | 19.9            | 19.7      | 19.5      | 19.3      | 19.3      | 18.8      | 18.3     | 17.8      | 17.3      | 20.0       |
| 22.0       | 17.3            | 17.1      | 16.9      | 16.7      | 16.7      | 16.4      | 16.1     | 15.6      | 15.1      | 22.0       |
| 24.0       | 15.1            | 15.0      | 14.7      | 14.6      | 14.5      | 14.3      | 14.1     | 13.7      | 13.3      | 24.0       |
| 26.0       | 13.4            | 13.2      | 13.0      | 12.8      | 12.7      | 12.5      | 12.3     | 12.2      | 11.7      | 26.0       |
| 28.0       | 11.9            | 11.7      | 11.5      | 11.3      | 11.2      | 11.0      | 10.8     | 10.7      | 10.4      | 28.0       |
| 30.0       | 10.6            | 10.4      | 10.2      | 10.0      | 10.0      | 9.7       | 9.6      | 9.4       | 9.2       | 30.0       |
| 32.0       | 9.5             | 9.4       | 9.1       | 8.9       | 8.9       | 8.6       | 8.5      | 8.3       | 8.1       | 32.0       |
| 34.0       | 8.6             | 8.4       | 8.2       | 8.0       | 7.9       | 7.7       | 7.5      | 7.3       | 7.1       | 34.0       |
| 36.0       | 7.7             | 7.6       | 7.3       | 7.2       | 7.1       | 6.8       | 6.7      | 6.5       | 6.2       | 36.0       |
| 38.0       | 7.0             | 6.8       | 6.6       | 6.4       | 6.3       | 6.1       | 5.9      | 5.7       | 5.5       | 38.0       |
| 40.0       | 6.4             | 6.2       | 5.9       | 5.8       | 5.7       | 5.4       | 5.2      | 5.1       | 4.8       | 40.0       |
| 42.0       | 5.8             | 5.6       | 5.4       | 5.2       | 5.1       | 4.8       | 4.6      | 4.5       | 4.2       | 42.0       |
| 44.0       | 5.5/43.1        | 5.1       | 4.8       | 4.6       | 4.5       | 4.3       | 4.1      | 3.9       | 3.7       | 44.0       |
| 46.0       |                 | 4.7/45.7  | 4.3       | 4.2       | 4.0       | 3.8       | 3.6      | 3.4       | 3.2       | 46.0       |
| 48.0       |                 |           | 3.9       | 3.7       | 3.6       | 3.4       | 3.2      | 3.0       | 2.8       | 48.0       |
| 50.0       |                 |           | 3.9/48.3  | 3.3       | 3.2       | 3.0       | 2.8      | 2.6       | 2.3       | 50.0       |
| 52.0       |                 |           |           | 3.2/50.9  | 2.8       | 2.6       | 2.4      | 2.2       | 2.0       | 52.0       |
| 54.0       |                 |           |           |           | 2.6/53.2  | 2.2       | 2.1      | 1.9       | 1.9/52.5  | 54.0       |
| 56.0       |                 |           |           |           |           | 2.0/55.8  | 1.9/55.3 |           |           | 56.0       |

- The rated loads are determined according to EN13000 rating with the machine on firm level ground.
- The figures surrounded by bold lines are based on factors other than those which would cause a tipping condition.
- To calculate the maximum load that can actually be lifted, deduct weight of all lifting accessories, such as boom hook and jib hook, from figures shown above.
- Working radius is the horizontal distance from the slewing center to the center of gravity of a lifted load.
- The counter weight is 49.6 ton.
- Correlation between the number of reeved lines, maximum rated loads, hook weights are shown in the table below

| Hook Capacity (t) | Hook Weight (t) | Maximum rated loads (t) |        |        |        |        |        |        |        |        |       |
|-------------------|-----------------|-------------------------|--------|--------|--------|--------|--------|--------|--------|--------|-------|
|                   |                 | 10falls                 | 9falls | 8falls | 7falls | 6falls | 5falls | 4falls | 3falls | 2falls | 1fall |
| 120               | 1.64            | 120                     | 108    | 96     | 84     | 72     | 60     | 48     | 36     | 24     |       |
| 80                | 1.35            |                         |        |        | 80     | 72     | 60     | 48     | 36     | 24     |       |
| 35                | 0.90            |                         |        |        |        |        |        | 35     | 24     |        |       |
| 12                | 0.51            |                         |        |        |        |        |        |        |        |        | 12    |

■ Crane Jib (With Crane Boom Extensions)



|                                  |           |           |           |          |          |          |          |          | Unit: ton                        |
|----------------------------------|-----------|-----------|-----------|----------|----------|----------|----------|----------|----------------------------------|
| Boom length (m)                  | 24        |           |           |          |          |          |          |          | Boom length (m)                  |
| Jib length (m)                   | 10        |           | 16        |          | 22       |          | 28       |          | Jib length (m)                   |
| Offset angle (deg)<br>Radius (m) | 10        | 30        | 10        | 30       | 10       | 30       | 10       | 30       | Offset angle (deg)<br>Radius (m) |
| 9.7                              | 12.0      |           |           |          |          |          |          |          | 9.7                              |
| 10.0                             | 12.0      |           | 12.0/11.8 |          |          |          |          |          | 10.0                             |
| 12.0                             | 12.0      | 12.0/12.6 | 12.0      |          | 8.8/13.9 |          |          |          | 12.0                             |
| 14.0                             | 12.0      | 12.0      | 12.0      |          | 8.8      |          |          |          | 14.0                             |
| 16.0                             | 12.0      | 12.0      | 12.0      | 9.0/16.5 | 8.8      |          | 5.4      |          | 16.0                             |
| 18.0                             | 12.0      | 12.0      | 12.0      | 9.0      | 8.6      |          | 5.1      |          | 18.0                             |
| 20.0                             | 12.0      | 12.0      | 12.0      | 9.0      | 8.3      | 6.4/20.4 | 4.8      |          | 20.0                             |
| 22.0                             | 12.0      | 11.7      | 12.0      | 9.0      | 7.9      | 6.4      | 4.5      |          | 22.0                             |
| 24.0                             | 12.0      | 11.2      | 12.0      | 9.0      | 7.6      | 6.4      | 4.3      | 3.4/24.3 | 24.0                             |
| 26.0                             | 12.0      | 10.8      | 12.0      | 8.7      | 7.3      | 6.4      | 4.1      | 3.4      | 26.0                             |
| 28.0                             | 12.0      | 10.4      | 11.9      | 8.3      | 7.0      | 6.4      | 3.9      | 3.3      | 28.0                             |
| 30.0                             | 12.0      | 10.2      | 11.1      | 8.0      | 6.8      | 6.2      | 3.7      | 3.1      | 30.0                             |
| 32.0                             | 11.4      | 10.0      | 10.4      | 7.7      | 6.6      | 5.9      | 3.6      | 3.0      | 32.0                             |
| 34.0                             | 11.3/32.2 | 9.9/32.8  | 9.8       | 7.5      | 6.4      | 5.7      | 3.4      | 2.9      | 34.0                             |
| 36.0                             |           |           | 9.3       | 7.3      | 6.2      | 5.4      | 3.3      | 2.9      | 36.0                             |
| 38.0                             |           |           | 8.9/37.9  | 7.2      | 6.1      | 5.3      | 3.2      | 2.8      | 38.0                             |
| 40.0                             |           |           |           | 7.2/38.8 | 5.9      | 5.1      | 3.1      | 2.7      | 40.0                             |
| 42.0                             |           |           |           |          | 5.8      | 5.0      | 3.0      | 2.7      | 42.0                             |
| 44.0                             |           |           |           |          | 5.8/43.5 | 4.9      | 2.9      | 2.6      | 44.0                             |
| 46.0                             |           |           |           |          |          | 4.9/44.8 | 2.8      | 2.6      | 46.0                             |
| 48.0                             |           |           |           |          |          |          | 2.7      | 2.6      | 48.0                             |
| 50.0                             |           |           |           |          |          |          | 2.7/49.2 | 2.6      | 50.0                             |
| 52.0                             |           |           |           |          |          |          |          | 2.6/50.8 | 52.0                             |

|                                  |           |           |           |          |          |          |          |          | Unit: ton                        |
|----------------------------------|-----------|-----------|-----------|----------|----------|----------|----------|----------|----------------------------------|
| Boom length (m)                  | 27        |           |           |          |          |          |          |          | Boom length (m)                  |
| Jib length (m)                   | 10        |           | 16        |          | 22       |          | 28       |          | Jib length (m)                   |
| Offset angle (deg)<br>Radius (m) | 10        | 30        | 10        | 30       | 10       | 30       | 10       | 30       | Offset angle (deg)<br>Radius (m) |
| 10.0                             | 12.0/10.2 |           |           |          |          |          |          |          | 10.0                             |
| 12.0                             | 12.0      | 12.0/13.2 | 12.0/12.3 |          |          |          |          |          | 12.0                             |
| 14.0                             | 12.0      | 12.0      | 12.0      |          | 8.8/14.4 |          |          |          | 14.0                             |
| 16.0                             | 12.0      | 12.0      | 12.0      | 9.0/17.1 | 8.8      |          | 5.4/16.5 |          | 16.0                             |
| 18.0                             | 12.0      | 12.0      | 12.0      | 9.0      | 8.8      |          | 5.2      |          | 18.0                             |
| 20.0                             | 12.0      | 12.0      | 12.0      | 9.0      | 8.4      | 6.4/21.0 | 4.9      |          | 20.0                             |
| 22.0                             | 12.0      | 12.0      | 12.0      | 9.0      | 8.1      | 6.4      | 4.6      |          | 22.0                             |
| 24.0                             | 12.0      | 11.5      | 12.0      | 9.0      | 7.8      | 6.4      | 4.4      | 3.4/24.9 | 24.0                             |
| 26.0                             | 12.0      | 11.1      | 12.0      | 8.9      | 7.5      | 6.4      | 4.2      | 3.4      | 26.0                             |
| 28.0                             | 12.0      | 10.7      | 12.0      | 8.5      | 7.2      | 6.4      | 4.0      | 3.3      | 28.0                             |
| 30.0                             | 12.0      | 10.4      | 11.8      | 8.2      | 7.0      | 6.3      | 3.8      | 3.2      | 30.0                             |
| 32.0                             | 11.2      | 10.2      | 11.1      | 7.9      | 6.7      | 6.1      | 3.7      | 3.1      | 32.0                             |
| 34.0                             | 10.2      | 10.0      | 10.4      |          | 6.5      | 5.8      | 3.5      | 3.0      | 34.0                             |
| 36.0                             | 9.9/34.8  | 9.7/35.4  | 9.8       | 7.5      | 6.4      | 5.6      | 3.4      | 2.9      | 36.0                             |
| 38.0                             |           |           | 9.0       | 7.3      | 6.2      | 5.4      | 3.3      | 2.8      | 38.0                             |
| 40.0                             |           |           | 8.3       | 7.2      | 6.1      | 5.2      | 3.2      | 2.8      | 40.0                             |
| 42.0                             |           |           | 8.2/40.5  | 7.2/41.4 | 5.9      | 5.1      | 3.1      | 2.7      | 42.0                             |
| 44.0                             |           |           |           |          | 5.9      | 5.0      | 3.0      | 2.7      | 44.0                             |
| 46.0                             |           |           |           |          | 5.8      | 4.9      | 2.9      | 2.6      | 46.0                             |
| 48.0                             |           |           |           |          | 5.8/46.1 | 4.8/47.4 | 2.8      | 2.6      | 48.0                             |
| 50.0                             |           |           |           |          |          |          | 2.8      | 2.6      | 50.0                             |
| 52.0                             |           |           |           |          |          |          | 2.7/51.7 | 2.6      | 52.0                             |
| 54.0                             |           |           |           |          |          |          |          | 2.6/53.4 | 54.0                             |

- The rated loads are determined according to EN13000 rating with the machine on firm level ground.
- The figures surrounded by bold lines are based on factors other than those which would cause a tipping condition.
- To calculate the maximum load that can actually be lifted, deduct weight of all lifting accessories, such as boom hook and jib hook, from figures shown above.

| Hook Capacity (t) | Hook Weight (t) |
|-------------------|-----------------|
| 120               | 1.64            |
| 80                | 1.35            |
| 35                | 0.90            |
| 12                | 0.51            |

- Working radius is the horizontal distance from the slewing center to the center of gravity of a lifted load.
- The counter weight is 49.6 ton.

■ Crane Jib (With Crane Boom Extensions)



|                                  |            |             |             |            |            |            |            |            | Unit: ton                        |
|----------------------------------|------------|-------------|-------------|------------|------------|------------|------------|------------|----------------------------------|
| Boom length (m)                  | 30         |             |             |            |            |            |            |            | Boom length (m)                  |
| Jib length (m)                   | 10         |             | 16          |            | 22         |            | 28         |            | Jib length (m)                   |
| Offset angle (deg)<br>Radius (m) | 10         | 30          | 10          | 30         | 10         | 30         | 10         | 30         | Offset angle (deg)<br>Radius (m) |
| 10.7                             | 12.0       |             |             |            |            |            |            |            | 10.7                             |
| 12.0                             | 12.0       | 12.0 / 13.7 | 12.0 / 12.8 |            |            | 8.8 / 15.0 |            |            | 12.0                             |
| 14.0                             | 12.0       | 12.0        | 12.0        |            |            |            |            |            | 14.0                             |
| 16.0                             | 12.0       | 12.0        | 12.0        | 9.0 / 17.6 | 8.8        |            | 5.4 / 17.1 |            | 16.0                             |
| 18.0                             | 12.0       | 12.0        | 12.0        | 9.0        | 8.8        |            | 5.2        |            | 18.0                             |
| 20.0                             | 12.0       | 12.0        | 12.0        | 9.0        | 8.6        | 6.4 / 21.5 | 5.0        |            | 20.0                             |
| 22.0                             | 12.0       | 12.0        | 12.0        | 9.0        | 8.2        | 6.4        | 4.7        |            | 22.0                             |
| 24.0                             | 12.0       | 11.8        | 12.0        | 9.0        | 7.9        | 6.4        | 4.5        | 3.4 / 25.4 | 24.0                             |
| 26.0                             | 12.0       | 11.4        | 12.0        | 9.0        | 7.6        | 6.4        | 4.3        | 3.4        | 26.0                             |
| 28.0                             | 12.0       | 11.0        | 12.0        | 8.7        | 7.4        | 6.4        | 4.1        | 3.3        | 28.0                             |
| 30.0                             | 12.0       | 10.7        | 12.0        | 8.4        | 7.1        | 6.4        | 3.9        | 3.2        | 30.0                             |
| 32.0                             | 11.1       | 10.4        | 11.4        | 8.1        | 6.9        | 6.2        | 3.8        | 3.1        | 32.0                             |
| 34.0                             | 10.1       | 10.2        | 10.5        | 7.9        | 6.7        | 6.0        | 3.6        | 3.0        | 34.0                             |
| 36.0                             | 9.3        | 9.4         | 9.6         | 7.7        | 6.5        | 5.8        | 3.5        | 2.9        | 36.0                             |
| 38.0                             | 8.7 / 37.4 | 8.6         | 8.8         | 7.5        | 6.3        | 5.6        | 3.4        | 2.9        | 38.0                             |
| 40.0                             |            |             | 8.2         | 7.3        | 6.2        | 5.4        | 3.2        | 2.8        | 40.0                             |
| 42.0                             |            |             | 7.6         | 7.2        | 6.1        | 5.2        | 3.1        | 2.7        | 42.0                             |
| 44.0                             |            |             | 7.3 / 43.1  | 7.1        | 6.0        | 5.1        | 3.0        | 2.7        | 44.0                             |
| 46.0                             |            |             |             |            | 5.9        | 5.0        | 3.0        | 2.7        | 46.0                             |
| 48.0                             |            |             |             |            | 5.8        | 4.9        | 2.9        | 2.6        | 48.0                             |
| 50.0                             |            |             |             |            | 5.8 / 48.7 | 4.8        | 2.8        | 2.6        | 50.0                             |
| 52.0                             |            |             |             |            |            |            | 2.8        | 2.6        | 52.0                             |
| 54.0                             |            |             |             |            |            |            | 2.7        | 2.6        | 54.0                             |
| 56.0                             |            |             |             |            |            |            | 2.7 / 54.3 | 2.6        | 56.0                             |

|                                  |             |             |             |            |            |            |            |            | Unit: ton                        |
|----------------------------------|-------------|-------------|-------------|------------|------------|------------|------------|------------|----------------------------------|
| Boom length (m)                  | 33          |             |             |            |            |            |            |            | Boom length (m)                  |
| Jib length (m)                   | 10          |             | 16          |            | 22         |            | 28         |            | Jib length (m)                   |
| Offset angle (deg)<br>Radius (m) | 10          | 30          | 10          | 30         | 10         | 30         | 10         | 30         | Offset angle (deg)<br>Radius (m) |
| 10.7                             | 12.0 / 11.3 |             |             |            |            |            |            |            | 10.7                             |
| 12.0                             | 12.0        |             | 12.0 / 13.4 |            |            | 8.8 / 15.5 |            |            | 12.0                             |
| 14.0                             | 12.0        | 12.0 / 14.3 | 12.0        |            |            |            |            |            | 14.0                             |
| 16.0                             | 12.0        | 12.0        | 12.0        |            |            | 8.8        | 5.4 / 17.6 |            | 16.0                             |
| 18.0                             | 12.0        | 12.0        | 12.0        | 9.0 / 18.2 | 8.8        |            | 5.3        |            | 18.0                             |
| 20.0                             | 12.0        | 12.0        | 12.0        | 9.0        | 8.7        |            | 5.0        |            | 20.0                             |
| 22.0                             | 12.0        | 12.0        | 12.0        | 9.0        | 8.4        | 6.4 / 22.1 | 4.8        |            | 22.0                             |
| 24.0                             | 12.0        | 12.0        | 12.0        | 9.0        | 8.1        | 6.4        | 4.6        |            | 24.0                             |
| 26.0                             | 12.0        | 11.7        | 12.0        | 9.0        | 7.8        | 6.4        | 4.4        | 3.4        | 26.0                             |
| 28.0                             | 12.0        | 11.3        | 12.0        | 8.9        | 7.5        | 6.4        | 4.2        | 3.4        | 28.0                             |
| 30.0                             | 12.0        | 11.0        | 12.0        | 8.6        | 7.3        | 6.4        | 4.0        | 3.2        | 30.0                             |
| 32.0                             | 10.9        | 10.7        | 11.3        | 8.3        | 7.0        | 6.4        | 3.9        | 3.1        | 32.0                             |
| 34.0                             | 9.9         | 10.1        | 10.3        | 8.1        | 6.8        | 6.1        | 3.7        | 3.1        | 34.0                             |
| 36.0                             | 9.1         | 9.2         | 9.4         | 7.9        | 6.7        | 5.9        | 3.6        | 3.0        | 36.0                             |
| 38.0                             | 8.3         | 8.4         | 8.7         | 7.7        | 6.5        | 5.7        | 3.5        | 2.9        | 38.0                             |
| 40.0                             | 7.7         | 7.7         | 8.0         | 7.5        | 6.3        | 5.5        | 3.3        | 2.8        | 40.0                             |
| 42.0                             |             | 7.5 / 40.6  | 7.4         | 7.3        | 6.2        | 5.3        | 3.2        | 2.8        | 42.0                             |
| 44.0                             |             |             | 6.8         | 7.0        | 6.1        | 5.2        | 3.1        | 2.7        | 44.0                             |
| 46.0                             |             |             | 6.4 / 45.7  | 6.4        | 6.0        | 5.1        | 3.0        | 2.7        | 46.0                             |
| 48.0                             |             |             |             | 6.3 / 46.6 | 5.9        | 5.0        | 3.0        | 2.7        | 48.0                             |
| 50.0                             |             |             |             |            | 5.7        | 4.9        | 2.9        | 2.6        | 50.0                             |
| 52.0                             |             |             |             |            | 5.4 / 51.3 | 4.8        | 2.8        | 2.6        | 52.0                             |
| 54.0                             |             |             |             |            |            | 4.8 / 52.6 | 2.8        | 2.6        | 54.0                             |
| 56.0                             |             |             |             |            |            |            | 2.7        | 2.6        | 56.0                             |
| 58.0                             |             |             |             |            |            |            | 2.7 / 56.9 | 2.6        | 58.0                             |
| 60.0                             |             |             |             |            |            |            |            | 2.6 / 58.6 | 60.0                             |

• For notes about the table above, refer to page 20.

■ Crane Jib (With Crane Boom Extensions)



|                                  |          |           |           |          |          |          |          |          | Unit: ton                        |
|----------------------------------|----------|-----------|-----------|----------|----------|----------|----------|----------|----------------------------------|
| Boom length (m)                  | 36       |           |           |          |          |          |          |          | Boom length (m)                  |
| Jib length (m)                   | 10       |           | 16        |          | 22       |          | 28       |          | Jib length (m)                   |
| Offset angle (deg)<br>Radius (m) | 10       | 30        | 10        | 30       | 10       | 30       | 10       | 30       | Offset angle (deg)<br>Radius (m) |
| 11.8                             | 12.0     |           |           |          |          |          |          |          | 11.8                             |
| 12.0                             | 12.0     |           | 12.0/13.9 |          |          |          |          |          | 12.0                             |
| 14.0                             | 12.0     | 12.0/14.8 | 12.0      |          |          |          |          |          | 14.0                             |
| 16.0                             | 12.0     | 12.0      | 12.0      |          | 8.8      |          |          |          | 16.0                             |
| 18.0                             | 12.0     | 12.0      | 12.0      | 9.0/18.7 | 8.8      |          | 5.4/18.1 |          | 18.0                             |
| 20.0                             | 12.0     | 12.0      | 12.0      | 9.0      | 8.8      |          | 5.1      |          | 20.0                             |
| 22.0                             | 12.0     | 12.0      | 12.0      | 9.0      | 8.5      | 6.4/22.6 | 4.9      |          | 22.0                             |
| 24.0                             | 12.0     | 12.0      | 12.0      | 9.0      | 8.2      | 6.4      | 4.7      |          | 24.0                             |
| 26.0                             | 12.0     | 11.9      | 12.0      | 9.0      | 7.9      | 6.4      | 4.5      | 3.4/26.5 | 26.0                             |
| 28.0                             | 12.0     | 11.5      | 12.0      | 9.0      | 7.7      | 6.4      | 4.3      | 3.4      | 28.0                             |
| 30.0                             | 11.8     | 11.2      | 12.0      | 8.8      | 7.4      | 6.4      | 4.1      | 3.3      | 30.0                             |
| 32.0                             | 10.7     | 10.9      | 11.1      | 8.5      | 7.2      | 6.4      | 4.0      | 3.2      | 32.0                             |
| 34.0                             | 9.7      | 10.0      | 10.1      | 8.3      | 7.0      | 6.2      | 3.8      | 3.1      | 34.0                             |
| 36.0                             | 8.9      | 9.1       | 9.2       | 8.0      | 6.8      | 6.0      | 3.7      | 3.0      | 36.0                             |
| 38.0                             | 8.1      | 8.3       | 8.5       | 7.8      | 6.6      | 5.8      | 3.5      | 2.9      | 38.0                             |
| 40.0                             | 7.5      | 7.6       | 7.8       | 7.6      | 6.5      | 5.6      | 3.4      | 2.9      | 40.0                             |
| 42.0                             | 6.9      | 6.9       | 7.2       | 7.4      | 6.3      | 5.5      | 3.3      | 2.8      | 42.0                             |
| 44.0                             | 6.7/42.6 | 6.6/43.2  | 6.6       | 6.8      | 6.2      | 5.3      | 3.2      | 2.8      | 44.0                             |
| 46.0                             |          |           | 6.1       | 6.3      | 6.1      | 5.2      | 3.1      | 2.7      | 46.0                             |
| 48.0                             |          |           | 5.7       | 5.8      | 5.9      | 5.1      | 3.0      | 2.7      | 48.0                             |
| 50.0                             |          |           | 5.6/48.3  | 5.5/49.2 | 5.5      | 5.0      | 3.0      | 2.6      | 50.0                             |
| 52.0                             |          |           |           |          | 5.1      | 4.9      | 2.9      | 2.6      | 52.0                             |
| 54.0                             |          |           |           |          | 4.8/53.9 | 4.8      | 2.8      | 2.6      | 54.0                             |
| 56.0                             |          |           |           |          |          | 4.6/55.2 | 2.8      | 2.6      | 56.0                             |
| 58.0                             |          |           |           |          |          |          | 2.7      | 2.6      | 58.0                             |
| 60.0                             |          |           |           |          |          |          | 2.7/59.5 | 2.6      | 60.0                             |
| 62.0                             |          |           |           |          |          |          |          | 2.6/61.2 | 62.0                             |

|                                  |           |           |           |          |          |          |          |          | Unit: ton                        |
|----------------------------------|-----------|-----------|-----------|----------|----------|----------|----------|----------|----------------------------------|
| Boom length (m)                  | 39        |           |           |          |          |          |          |          | Boom length (m)                  |
| Jib length (m)                   | 10        |           | 16        |          | 22       |          | 28       |          | Jib length (m)                   |
| Offset angle (deg)<br>Radius (m) | 10        | 30        | 10        | 30       | 10       | 30       | 10       | 30       | Offset angle (deg)<br>Radius (m) |
| 12.0                             | 12.0/12.4 |           |           |          |          |          |          |          | 12.0                             |
| 14.0                             | 12.0      | 12.0/15.4 | 12.0/14.5 |          |          |          |          |          | 14.0                             |
| 16.0                             | 12.0      | 12.0      | 12.0      |          | 8.8/16.6 |          |          |          | 16.0                             |
| 18.0                             | 12.0      | 12.0      | 12.0      | 9.0/19.3 | 8.8      |          | 5.3/18.7 |          | 18.0                             |
| 20.0                             | 12.0      | 12.0      | 12.0      | 9.0      | 8.8      |          | 5.2      |          | 20.0                             |
| 22.0                             | 12.0      | 12.0      | 12.0      | 9.0      | 8.6      | 6.4/23.2 | 5.0      |          | 22.0                             |
| 24.0                             | 12.0      | 12.0      | 12.0      | 9.0      | 8.3      | 6.4      | 4.7      |          | 24.0                             |
| 26.0                             | 12.0      | 12.0      | 12.0      | 9.0      | 8.0      | 6.4      | 4.5      | 3.4/27.1 | 26.0                             |
| 28.0                             | 12.0      | 11.8      | 12.0      | 9.0      | 7.8      | 6.4      | 4.4      | 3.4      | 28.0                             |
| 30.0                             | 11.6      | 11.4      | 12.0      | 8.9      | 7.6      | 6.4      | 4.2      | 3.3      | 30.0                             |
| 32.0                             | 10.5      | 10.8      | 10.9      | 8.7      | 7.3      | 6.4      | 4.0      | 3.2      | 32.0                             |
| 34.0                             | 9.6       | 9.8       | 9.9       | 8.4      | 7.1      | 6.4      | 3.9      | 3.1      | 34.0                             |
| 36.0                             | 8.7       | 8.9       | 9.1       | 8.2      | 6.9      | 6.1      | 3.8      | 3.0      | 36.0                             |
| 38.0                             | 8.0       | 8.1       | 8.3       | 8.0      | 6.8      | 5.9      | 3.6      | 3.0      | 38.0                             |
| 40.0                             | 7.3       | 7.4       | 7.6       | 7.8      | 6.6      | 5.8      | 3.5      | 2.9      | 40.0                             |
| 42.0                             | 6.7       | 6.8       | 7.0       | 7.3      | 6.4      | 5.6      | 3.4      | 2.8      | 42.0                             |
| 44.0                             | 6.1       | 6.2       | 6.5       | 6.7      | 6.3      | 5.4      | 3.3      | 2.8      | 44.0                             |
| 46.0                             | 5.8/45.2  | 5.7/45.8  | 6.0       | 6.1      | 6.2      | 5.3      | 3.2      | 2.7      | 46.0                             |
| 48.0                             |           |           | 5.5       | 5.6      | 5.7      | 5.2      | 3.1      | 2.7      | 48.0                             |
| 50.0                             |           |           | 5.1       | 5.2      | 5.3      | 5.1      | 3.0      | 2.7      | 50.0                             |
| 52.0                             |           |           | 4.9/50.9  | 4.8/51.8 | 4.9      | 5.0      | 3.0      | 2.6      | 52.0                             |
| 54.0                             |           |           |           |          | 4.6      | 4.7      | 2.9      | 2.6      | 54.0                             |
| 56.0                             |           |           |           |          | 4.2      | 4.4      | 2.8      | 2.6      | 56.0                             |
| 58.0                             |           |           |           |          | 4.2/56.5 | 4.1/57.8 | 2.8      | 2.6      | 58.0                             |
| 60.0                             |           |           |           |          |          |          | 2.7      | 2.6      | 60.0                             |
| 62.0                             |           |           |           |          |          |          | 2.7      | 2.6      | 62.0                             |
| 64.0                             |           |           |           |          |          |          | 2.7/62.1 | 2.6/63.8 | 64.0                             |

• For notes about the table above, refer to page 20.

■ Crane Jib (With Crane Boom Extensions)



Unit: ton

| Boom length (m)                  | 42       |           |           |          |          |          |          |          | Boom length (m)                  |
|----------------------------------|----------|-----------|-----------|----------|----------|----------|----------|----------|----------------------------------|
| Jib length (m)                   | 10       |           | 16        |          | 22       |          | 28       |          | Jib length (m)                   |
| Offset angle (deg)<br>Radius (m) | 10       | 30        | 10        | 30       | 10       | 30       | 10       | 30       | Offset angle (deg)<br>Radius (m) |
| 12.9                             | 12.0     |           |           |          |          |          |          |          | 12.9                             |
| 14.0                             | 12.0     | 12.0/15.9 | 12.0/15.0 |          |          |          |          |          | 14.0                             |
| 16.0                             | 12.0     | 12.0      | 12.0      |          | 8.8/17.1 |          |          |          | 16.0                             |
| 18.0                             | 12.0     | 12.0      | 12.0      | 9.0/19.8 | 8.8      |          | 5.3/19.2 |          | 18.0                             |
| 20.0                             | 12.0     | 12.0      | 12.0      | 9.0      | 8.8      |          | 5.2      |          | 20.0                             |
| 22.0                             | 12.0     | 12.0      | 12.0      | 9.0      | 8.7      | 6.4/23.7 | 5.0      |          | 22.0                             |
| 24.0                             | 12.0     | 12.0      | 12.0      | 9.0      | 8.4      | 6.4      | 4.8      |          | 24.0                             |
| 26.0                             | 12.0     | 12.0      | 12.0      | 9.0      | 8.2      | 6.4      | 4.6      | 3.4/27.6 | 26.0                             |
| 28.0                             | 12.0     | 12.0      | 12.0      | 9.0      | 7.9      | 6.4      | 4.4      | 3.4      | 28.0                             |
| 30.0                             | 11.5     | 11.6      | 11.9      | 9.0      | 7.7      | 6.4      | 4.3      | 3.3      | 30.0                             |
| 32.0                             | 10.4     | 10.7      | 10.8      | 8.8      | 7.5      | 6.4      | 4.1      | 3.2      | 32.0                             |
| 34.0                             | 9.4      | 9.7       | 9.8       | 8.6      | 7.3      | 6.4      | 4.0      | 3.1      | 34.0                             |
| 36.0                             | 8.6      | 8.8       | 8.9       | 8.3      | 7.1      | 6.3      | 3.8      | 3.1      | 36.0                             |
| 38.0                             | 7.8      | 8.0       | 8.2       | 8.1      | 6.9      | 6.1      | 3.7      | 3.0      | 38.0                             |
| 40.0                             | 7.2      | 7.3       | 7.5       | 7.8      | 6.7      | 5.9      | 3.6      | 2.9      | 40.0                             |
| 42.0                             | 6.5      | 6.7       | 6.9       | 7.2      | 6.6      | 5.7      | 3.5      | 2.9      | 42.0                             |
| 44.0                             | 6.0      | 6.1       | 6.3       | 6.6      | 6.4      | 5.5      | 3.4      | 2.8      | 44.0                             |
| 46.0                             | 5.5      | 5.6       | 5.8       | 6.0      | 6.0      | 5.4      | 3.3      | 2.8      | 46.0                             |
| 48.0                             | 5.1/47.8 | 5.1       | 5.4       | 5.5      | 5.6      | 5.3      | 3.2      | 2.7      | 48.0                             |
| 50.0                             |          | 5.0/48.4  | 4.9       | 5.1      | 5.2      | 5.2      | 3.1      | 2.7      | 50.0                             |
| 52.0                             |          |           | 4.6       | 4.7      | 4.8      | 5.0      | 3.0      | 2.6      | 52.0                             |
| 54.0                             |          |           | 4.3/53.5  | 4.3      | 4.4      | 4.6      | 2.9      | 2.6      | 54.0                             |
| 56.0                             |          |           |           | 4.2/54.4 | 4.1      | 4.3      | 2.9      | 2.6      | 56.0                             |
| 58.0                             |          |           |           |          | 3.8      | 3.9      | 2.8      | 2.6      | 58.0                             |
| 60.0                             |          |           |           |          | 3.6/59.1 | 3.6      | 2.8      | 2.6      | 60.0                             |
| 62.0                             |          |           |           |          |          | 3.5/60.4 | 2.7      | 2.6      | 62.0                             |
| 64.0                             |          |           |           |          |          |          | 2.7      | 2.6      | 64.0                             |
| 66.0                             |          |           |           |          |          |          | 2.7/64.7 | 2.6      | 66.0                             |
| 68.0                             |          |           |           |          |          |          |          | 2.6/66.4 | 68.0                             |

Unit: ton

| Boom length (m)                  | 45        |           |           |          |          |          |          |          | Boom length (m)                  |
|----------------------------------|-----------|-----------|-----------|----------|----------|----------|----------|----------|----------------------------------|
| Jib length (m)                   | 10        |           | 16        |          | 22       |          | 28       |          | Jib length (m)                   |
| Offset angle (deg)<br>Radius (m) | 10        | 30        | 10        | 30       | 10       | 30       | 10       | 30       | Offset angle (deg)<br>Radius (m) |
| 12.9                             | 12.0/13.5 |           |           |          |          |          |          |          | 12.9                             |
| 14.0                             | 12.0      |           | 12.0/15.6 |          |          |          |          |          | 14.0                             |
| 16.0                             | 12.0      | 12.0/16.5 | 12.0      |          | 8.8/17.7 |          |          |          | 16.0                             |
| 18.0                             | 12.0      | 12.0      | 12.0      |          | 8.8      |          | 5.3/19.8 |          | 18.0                             |
| 20.0                             | 12.0      | 12.0      | 12.0      | 9.0/20.4 | 8.8      |          | 5.3      |          | 20.0                             |
| 22.0                             | 12.0      | 12.0      | 12.0      | 9.0      | 8.8      |          | 5.1      |          | 22.0                             |
| 24.0                             | 12.0      | 12.0      | 12.0      | 9.0      | 8.5      | 6.4/24.3 | 4.9      |          | 24.0                             |
| 26.0                             | 12.0      | 12.0      | 12.0      | 9.0      | 8.3      | 6.4      | 4.7      |          | 26.0                             |
| 28.0                             | 12.0      | 12.0      | 12.0      | 9.0      | 8.0      | 6.4      | 4.5      | 3.4/28.2 | 28.0                             |
| 30.0                             | 11.3      | 11.7      | 11.7      | 9.0      | 7.8      | 6.4      | 4.3      | 3.3      | 30.0                             |
| 32.0                             | 10.2      | 10.5      | 10.6      | 9.0      | 7.6      | 6.4      | 4.2      | 3.3      | 32.0                             |
| 34.0                             | 9.2       | 9.5       | 9.6       | 8.7      | 7.4      | 6.4      | 4.0      | 3.2      | 34.0                             |
| 36.0                             | 8.4       | 8.6       | 8.7       | 8.5      | 7.2      | 6.4      | 3.9      | 3.1      | 36.0                             |
| 38.0                             | 7.6       | 7.8       | 7.9       | 8.3      | 7.0      | 6.2      | 3.8      | 3.0      | 38.0                             |
| 40.0                             | 6.9       | 7.1       | 7.3       | 7.6      | 6.8      | 6.0      | 3.7      | 3.0      | 40.0                             |
| 42.0                             | 6.3       | 6.5       | 6.6       | 7.0      | 6.7      | 5.8      | 3.5      | 2.9      | 42.0                             |
| 44.0                             | 5.8       | 5.9       | 6.1       | 6.4      | 6.3      | 5.7      | 3.4      | 2.8      | 44.0                             |
| 46.0                             | 5.3       | 5.4       | 5.6       | 5.8      | 5.8      | 5.5      | 3.3      | 2.8      | 46.0                             |
| 48.0                             | 4.8       | 4.9       | 5.1       | 5.3      | 5.4      | 5.4      | 3.3      | 2.7      | 48.0                             |
| 50.0                             | 4.4       | 4.5       | 4.7       | 4.9      | 4.9      | 5.3      | 3.2      | 2.7      | 50.0                             |
| 52.0                             | 4.3/50.4  | 4.3/51.0  | 4.3       | 4.5      | 4.6      | 4.8      | 3.1      | 2.7      | 52.0                             |
| 54.0                             |           |           | 4.0       | 4.1      | 4.2      | 4.5      | 3.0      | 2.6      | 54.0                             |
| 56.0                             |           |           | 3.6       | 3.7      | 3.9      | 4.1      | 2.9      | 2.6      | 56.0                             |
| 58.0                             |           |           | 3.6/56.1  | 3.6/57.0 | 3.6      | 3.7      | 2.9      | 2.6      | 58.0                             |
| 60.0                             |           |           |           |          | 3.3      | 3.4      | 2.8      | 2.6      | 60.0                             |
| 62.0                             |           |           |           |          | 3.1/61.7 | 3.1      | 2.8      | 2.6      | 62.0                             |
| 64.0                             |           |           |           |          |          | 3.0/63.0 | 2.7      | 2.6      | 64.0                             |
| 66.0                             |           |           |           |          |          |          | 2.7      | 2.6      | 66.0                             |
| 68.0                             |           |           |           |          |          |          | 2.6/67.3 | 2.6      | 68.0                             |
| 70.0                             |           |           |           |          |          |          |          | 2.5/69.0 | 70.0                             |

• For notes about the table above, refer to page 20.

■ Crane Jib (With Crane Boom Extensions)



|                    |            |             |             |            |            |            |            |            | Unit: ton          |
|--------------------|------------|-------------|-------------|------------|------------|------------|------------|------------|--------------------|
| Boom length (m)    | 48         |             |             |            |            |            |            |            | Boom length (m)    |
| Jib length (m)     | 10         |             | 16          |            | 22         |            | 28         |            | Jib length (m)     |
| Offset angle (deg) | 10         | 30          | 10          | 30         | 10         | 30         | 10         | 30         | Offset angle (deg) |
| Radius (m)         |            |             |             |            |            |            |            |            | Radius (m)         |
| 14.0               | 12.0       |             |             |            |            |            |            |            | 14.0               |
| 16.0               | 12.0       | 12.0 / 17.0 | 12.0 / 16.1 |            |            |            |            |            | 16.0               |
| 18.0               | 12.0       | 12.0        | 12.0        |            | 8.8 / 18.2 |            |            |            | 18.0               |
| 20.0               | 12.0       | 12.0        | 12.0        | 9.0 / 20.9 | 8.8        |            | 5.3 / 20.3 |            | 20.0               |
| 22.0               | 12.0       | 12.0        | 12.0        | 9.0        | 8.8        |            | 5.1        |            | 22.0               |
| 24.0               | 12.0       | 12.0        | 12.0        | 9.0        | 8.6        | 6.4 / 24.8 | 4.9        |            | 24.0               |
| 26.0               | 12.0       | 12.0        | 12.0        | 9.0        | 8.4        | 6.4        | 4.8        |            | 26.0               |
| 28.0               | 12.0       | 12.0        | 12.0        | 9.0        | 8.1        | 6.4        | 4.6        | 3.4 / 28.7 | 28.0               |
| 30.0               | 11.2       | 11.6        | 11.6        | 9.0        | 7.9        | 6.4        | 4.4        | 3.4        | 30.0               |
| 32.0               | 10.1       | 10.4        | 10.5        | 9.0        | 7.7        | 6.4        | 4.3        | 3.3        | 32.0               |
| 34.0               | 9.1        | 9.4         | 9.5         | 8.8        | 7.5        | 6.4        | 4.1        | 3.2        | 34.0               |
| 36.0               | 8.2        | 8.5         | 8.6         | 8.6        | 7.3        | 6.4        | 4.0        | 3.1        | 36.0               |
| 38.0               | 7.5        | 7.7         | 7.8         | 8.3        | 7.1        | 6.3        | 3.9        | 3.1        | 38.0               |
| 40.0               | 6.8        | 7.0         | 7.1         | 7.5        | 7.0        | 6.1        | 3.7        | 3.0        | 40.0               |
| 42.0               | 6.2        | 6.4         | 6.5         | 6.9        | 6.8        | 5.9        | 3.6        | 2.9        | 42.0               |
| 44.0               | 5.6        | 5.8         | 6.0         | 6.3        | 6.2        | 5.8        | 3.5        | 2.9        | 44.0               |
| 46.0               | 5.1        | 5.3         | 5.5         | 5.7        | 5.7        | 5.6        | 3.4        | 2.8        | 46.0               |
| 48.0               | 4.7        | 4.8         | 5.0         | 5.3        | 5.2        | 5.5        | 3.3        | 2.8        | 48.0               |
| 50.0               | 4.3        | 4.4         | 4.6         | 4.8        | 4.8        | 5.2        | 3.2        | 2.7        | 50.0               |
| 52.0               | 3.9        | 4.0         | 4.2         | 4.4        | 4.4        | 4.8        | 3.2        | 2.7        | 52.0               |
| 54.0               | 3.7 / 53.0 | 3.7 / 53.6  | 3.8         | 4.0        | 4.1        | 4.4        | 3.1        | 2.7        | 54.0               |
| 56.0               |            |             | 3.5         | 3.6        | 3.7        | 4.0        | 3.0        | 2.6        | 56.0               |
| 58.0               |            |             | 3.2         | 3.3        | 3.4        | 3.6        | 2.9        | 2.6        | 58.0               |
| 60.0               |            |             | 3.1 / 58.7  | 3.0 / 59.6 | 3.1        | 3.3        | 2.9        | 2.6        | 60.0               |
| 62.0               |            |             |             |            | 2.9        | 3.0        | 2.8        | 2.6        | 62.0               |
| 64.0               |            |             |             |            | 2.6        | 2.7        | 2.8        | 2.6        | 64.0               |
| 66.0               |            |             |             |            | 2.6 / 64.3 | 2.5 / 65.6 | 2.5        | 2.6        | 66.0               |
| 68.0               |            |             |             |            |            |            | 2.3        | 2.5        | 68.0               |
| 70.0               |            |             |             |            |            |            | 2.1 / 69.9 | 2.3        | 70.0               |
| 72.0               |            |             |             |            |            |            |            | 2.1 / 71.6 | 72.0               |

|                    |             |             |             |            |            |            |            |            | Unit: ton          |
|--------------------|-------------|-------------|-------------|------------|------------|------------|------------|------------|--------------------|
| Boom length (m)    | 51          |             |             |            |            |            |            |            | Boom length (m)    |
| Jib length (m)     | 10          |             | 16          |            | 22         |            | 28         |            | Jib length (m)     |
| Offset angle (deg) | 10          | 30          | 10          | 30         | 10         | 30         | 10         | 30         | Offset angle (deg) |
| Radius (m)         |             |             |             |            |            |            |            |            | Radius (m)         |
| 14.0               | 12.0 / 14.6 |             |             |            |            |            |            |            | 14.0               |
| 16.0               | 12.0        | 12.0 / 17.6 | 12.0 / 16.7 |            |            |            |            |            | 16.0               |
| 18.0               | 12.0        | 12.0        | 12.0        |            | 8.8 / 18.8 |            |            |            | 18.0               |
| 20.0               | 12.0        | 12.0        | 12.0        | 9.0 / 21.5 | 8.8        |            | 5.3 / 20.9 |            | 20.0               |
| 22.0               | 12.0        | 12.0        | 12.0        | 9.0        | 8.8        |            | 5.2        |            | 22.0               |
| 24.0               | 12.0        | 12.0        | 12.0        | 9.0        | 8.7        | 6.4 / 25.4 | 5.0        |            | 24.0               |
| 26.0               | 12.0        | 12.0        | 12.0        | 9.0        | 8.5        | 6.4        | 4.8        |            | 26.0               |
| 28.0               | 12.0        | 12.0        | 12.0        | 9.0        | 8.2        | 6.4        | 4.6        | 3.4 / 29.3 | 28.0               |
| 30.0               | 11.0        | 11.5        | 11.4        | 9.0        | 8.0        | 6.4        | 4.5        | 3.4        | 30.0               |
| 32.0               | 9.9         | 10.3        | 10.3        | 9.0        | 7.8        | 6.4        | 4.3        | 3.3        | 32.0               |
| 34.0               | 8.9         | 9.3         | 9.3         | 9.0        | 7.6        | 6.4        | 4.2        | 3.2        | 34.0               |
| 36.0               | 8.1         | 8.4         | 8.4         | 8.7        | 7.4        | 6.4        | 4.0        | 3.1        | 36.0               |
| 38.0               | 7.3         | 7.6         | 7.6         | 8.1        | 7.2        | 6.4        | 3.9        | 3.1        | 38.0               |
| 40.0               | 6.6         | 6.9         | 7.0         | 7.4        | 7.1        | 6.2        | 3.8        | 3.0        | 40.0               |
| 42.0               | 6.0         | 6.2         | 6.3         | 6.7        | 6.6        | 6.0        | 3.7        | 2.9        | 42.0               |
| 44.0               | 5.5         | 5.6         | 5.8         | 6.1        | 6.0        | 5.9        | 3.6        | 2.9        | 44.0               |
| 46.0               | 5.0         | 5.1         | 5.3         | 5.6        | 5.5        | 5.7        | 3.5        | 2.8        | 46.0               |
| 48.0               | 4.5         | 4.6         | 4.8         | 5.1        | 5.1        | 5.5        | 3.4        | 2.8        | 48.0               |
| 50.0               | 4.1         | 4.2         | 4.4         | 4.6        | 4.6        | 5.0        | 3.3        | 2.7        | 50.0               |
| 52.0               | 3.7         | 3.8         | 4.0         | 4.2        | 4.2        | 4.6        | 3.2        | 2.7        | 52.0               |
| 54.0               | 3.4         | 3.4         | 3.6         | 3.8        | 3.9        | 4.2        | 3.1        | 2.7        | 54.0               |
| 56.0               | 3.1 / 55.6  | 3.1         | 3.3         | 3.5        | 3.5        | 3.8        | 3.1        | 2.6        | 56.0               |
| 58.0               |             | 3.1 / 56.2  | 3.0         | 3.1        | 3.2        | 3.5        | 3.0        | 2.6        | 58.0               |
| 60.0               |             |             | 2.7         | 2.8        | 2.9        | 3.2        | 2.9        | 2.6        | 60.0               |
| 62.0               |             |             | 2.6 / 61.3  | 2.5        | 2.7        | 2.9        | 2.9        | 2.6        | 62.0               |
| 64.0               |             |             |             | 2.5 / 62.2 | 2.4        | 2.6        | 2.6        | 2.6        | 64.0               |
| 66.0               |             |             |             |            | 2.2        | 2.3        | 2.4        | 2.6        | 66.0               |
| 68.0               |             |             |             |            | 2.1 / 66.9 | 2.1        | 2.1        | 2.4        | 68.0               |
| 70.0               |             |             |             |            |            | 2.0 / 68.2 | 1.9        | 2.1        | 70.0               |
| 72.0               |             |             |             |            |            |            |            | 1.9        | 72.0               |

• For notes about the table above, refer to page 20.



■ Crane Jib (With Crane Boom Extensions)



|                                  |            |             |             |            |            |            |            |            | Unit: ton                        |
|----------------------------------|------------|-------------|-------------|------------|------------|------------|------------|------------|----------------------------------|
| Boom length (m)                  | 54         |             |             |            |            |            |            |            | Boom length (m)                  |
| Jib length (m)                   | 10         |             | 16          |            | 22         |            | 28         |            | Jib length (m)                   |
| Offset angle (deg)<br>Radius (m) | 10         | 30          | 10          | 30         | 10         | 30         | 10         | 30         | Offset angle (deg)<br>Radius (m) |
| 15.1                             | 12.0       |             |             |            |            |            |            |            | 15.1                             |
| 16.0                             | 12.0       |             | 12.0 / 17.2 |            |            |            |            |            | 16.0                             |
| 18.0                             | 12.0       | 12.0 / 18.1 | 12.0        |            | 8.8 / 19.3 |            |            |            | 18.0                             |
| 20.0                             | 12.0       | 12.0        | 12.0        |            | 8.8        |            | 5.3 / 21.4 |            | 20.0                             |
| 22.0                             | 12.0       | 12.0        | 12.0        | 9.0        | 8.8        |            | 5.2        |            | 22.0                             |
| 24.0                             | 12.0       | 12.0        | 12.0        | 9.0        | 8.8        | 6.4 / 25.9 | 5.0        |            | 24.0                             |
| 26.0                             | 12.0       | 12.0        | 12.0        | 9.0        | 8.6        | 6.4        | 4.9        |            | 26.0                             |
| 28.0                             | 12.0       | 12.0        | 12.0        | 9.0        | 8.3        | 6.4        | 4.7        | 3.4 / 29.8 | 28.0                             |
| 30.0                             | 10.8       | 11.3        | 11.2        | 9.0        | 8.1        | 6.4        | 4.5        | 3.4        | 30.0                             |
| 32.0                             | 9.7        | 10.1        | 10.1        | 9.0        | 7.9        | 6.4        | 4.4        | 3.3        | 32.0                             |
| 34.0                             | 8.7        | 9.1         | 9.1         | 9.0        | 7.7        | 6.4        | 4.2        | 3.2        | 34.0                             |
| 36.0                             | 7.8        | 8.2         | 8.2         | 8.8        | 7.5        | 6.4        | 4.1        | 3.2        | 36.0                             |
| 38.0                             | 7.1        | 7.4         | 7.4         | 7.9        | 7.3        | 6.4        | 4.0        | 3.1        | 38.0                             |
| 40.0                             | 6.4        | 6.7         | 6.7         | 7.2        | 7.0        | 6.3        | 3.9        | 3.0        | 40.0                             |
| 42.0                             | 5.8        | 6.0         | 6.1         | 6.5        | 6.4        | 6.1        | 3.8        | 3.0        | 42.0                             |
| 44.0                             | 5.2        | 5.4         | 5.6         | 5.9        | 5.8        | 5.9        | 3.6        | 2.9        | 44.0                             |
| 46.0                             | 4.7        | 4.9         | 5.0         | 5.4        | 5.3        | 5.8        | 3.5        | 2.9        | 46.0                             |
| 48.0                             | 4.3        | 4.4         | 4.6         | 4.9        | 4.8        | 5.3        | 3.5        | 2.8        | 48.0                             |
| 50.0                             | 3.9        | 4.0         | 4.2         | 4.4        | 4.4        | 4.9        | 3.4        | 2.8        | 50.0                             |
| 52.0                             | 3.5        | 3.6         | 3.8         | 4.0        | 4.0        | 4.4        | 3.3        | 2.7        | 52.0                             |
| 54.0                             | 3.1        | 3.2         | 3.4         | 3.6        | 3.7        | 4.0        | 3.2        | 2.7        | 54.0                             |
| 56.0                             | 2.8        | 2.9         | 3.1         | 3.3        | 3.3        | 3.7        | 3.1        | 2.7        | 56.0                             |
| 58.0                             | 2.5        | 2.6         | 2.8         | 2.9        | 3.0        | 3.3        | 3.1        | 2.6        | 58.0                             |
| 60.0                             | 2.5 / 58.2 | 2.4 / 58.8  | 2.5         | 2.6        | 2.7        | 3.0        | 2.9        | 2.6        | 60.0                             |
| 62.0                             |            |             | 2.2         | 2.3        | 2.5        | 2.7        | 2.6        | 2.6        | 62.0                             |
| 64.0                             |            |             | 2.0 / 63.9  | 2.1        | 2.2        | 2.4        | 2.4        | 2.6        | 64.0                             |
| 66.0                             |            |             |             | 2.0 / 64.8 | 2.0        | 2.1        | 2.1        | 2.4        | 66.0                             |
| 68.0                             |            |             |             |            | 1.9 / 67.0 | 1.9        | 1.9        | 2.2        | 68.0                             |
| 70.0                             |            |             |             |            |            |            | 1.9        | 1.9        | 70.0                             |

|                                  |             |             |             |            |            |            |            |            | Unit: ton                        |
|----------------------------------|-------------|-------------|-------------|------------|------------|------------|------------|------------|----------------------------------|
| Boom length (m)                  | 57          |             |             |            |            |            |            |            | Boom length (m)                  |
| Jib length (m)                   | 10          |             | 16          |            | 22         |            | 28         |            | Jib length (m)                   |
| Offset angle (deg)<br>Radius (m) | 10          | 30          | 10          | 30         | 10         | 30         | 10         | 30         | Offset angle (deg)<br>Radius (m) |
| 15.1                             | 12.0 / 15.7 |             |             |            |            |            |            |            | 15.1                             |
| 16.0                             | 12.0        |             | 12.0 / 17.8 |            |            |            |            |            | 16.0                             |
| 18.0                             | 12.0        | 12.0 / 18.7 | 12.0        |            | 8.8 / 19.9 |            |            |            | 18.0                             |
| 20.0                             | 12.0        | 12.0        | 12.0        |            | 8.8        |            |            |            | 20.0                             |
| 22.0                             | 12.0        | 12.0        | 12.0        | 9.0 / 22.6 | 8.8        |            | 5.3        |            | 22.0                             |
| 24.0                             | 12.0        | 12.0        | 12.0        | 9.0        | 8.8        |            | 5.1        |            | 24.0                             |
| 26.0                             | 12.0        | 12.0        | 12.0        | 9.0        | 8.7        | 6.4 / 26.5 | 4.9        |            | 26.0                             |
| 28.0                             | 11.9        | 12.0        | 12.0        | 9.0        | 8.4        | 6.4        | 4.8        |            | 28.0                             |
| 30.0                             | 10.6        | 11.1        | 11.0        | 9.0        | 8.2        | 6.4        | 4.6        | 3.4 / 30.4 | 30.0                             |
| 32.0                             | 9.5         | 9.9         | 9.9         | 9.0        | 8.0        | 6.4        | 4.4        | 3.3        | 32.0                             |
| 34.0                             | 8.5         | 8.9         | 8.9         | 9.0        | 7.8        | 6.4        | 4.3        | 3.3        | 34.0                             |
| 36.0                             | 7.7         | 8.0         | 8.0         | 8.6        | 7.6        | 6.4        | 4.2        | 3.2        | 36.0                             |
| 38.0                             | 6.9         | 7.2         | 7.2         | 7.8        | 7.4        | 6.4        | 4.0        | 3.1        | 38.0                             |
| 40.0                             | 6.2         | 6.5         | 6.5         | 7.1        | 6.8        | 6.4        | 3.9        | 3.1        | 40.0                             |
| 42.0                             | 5.6         | 5.9         | 5.9         | 6.4        | 6.2        | 6.2        | 3.8        | 3.0        | 42.0                             |
| 44.0                             | 5.0         | 5.3         | 5.4         | 5.8        | 5.6        | 6.0        | 3.7        | 2.9        | 44.0                             |
| 46.0                             | 4.5         | 4.7         | 4.9         | 5.2        | 5.1        | 5.7        | 3.6        | 2.9        | 46.0                             |
| 48.0                             | 4.1         | 4.3         | 4.4         | 4.7        | 4.7        | 5.2        | 3.5        | 2.8        | 48.0                             |
| 50.0                             | 3.7         | 3.8         | 4.0         | 4.3        | 4.2        | 4.7        | 3.4        | 2.8        | 50.0                             |
| 52.0                             | 3.3         | 3.4         | 3.6         | 3.9        | 3.8        | 4.3        | 3.3        | 2.7        | 52.0                             |
| 54.0                             | 2.9         | 3.1         | 3.2         | 3.5        | 3.5        | 3.9        | 3.3        | 2.7        | 54.0                             |
| 56.0                             | 2.6         | 2.7         | 2.9         | 3.1        | 3.1        | 3.5        | 3.2        | 2.7        | 56.0                             |
| 58.0                             | 2.3         | 2.4         | 2.6         | 2.8        | 2.8        | 3.2        | 3.0        | 2.6        | 58.0                             |
| 60.0                             | 2.0         | 2.1         | 2.3         | 2.5        | 2.5        | 2.8        | 2.7        | 2.6        | 60.0                             |
| 62.0                             | 1.9 / 60.8  | 1.9 / 61.4  | 2.0         | 2.2        | 2.3        | 2.5        | 2.5        | 2.6        | 62.0                             |
| 64.0                             |             |             | 1.9 / 63.0  | 1.9        | 2.0        | 2.3        | 2.2        | 2.6        | 64.0                             |
| 66.0                             |             |             |             |            | 1.9 / 65.0 | 2.0        | 2.0        | 2.3        | 66.0                             |
| 68.0                             |             |             |             |            |            | 1.9 / 66.6 | 1.9 / 66.6 | 2.0        | 68.0                             |
| 70.0                             |             |             |             |            |            |            | 1.9 / 69.0 | 1.9        | 70.0                             |

• For notes about the table above, refer to page 20.

■ Crane Jib (With Crane Boom Extensions)



|                                  |      |            |            |           |           |           |           |           | Unit: ton                        |
|----------------------------------|------|------------|------------|-----------|-----------|-----------|-----------|-----------|----------------------------------|
| Boom length (m)                  | 60   |            |            |           |           |           |           |           | Boom length (m)                  |
| Jib length (m)                   | 10   |            | 16         |           | 22        |           | 28        |           | Jib length (m)                   |
| Offset angle (deg)<br>Radius (m) | 10   | 30         | 10         | 30        | 10        | 30        | 10        | 30        | Offset angle (deg)<br>Radius (m) |
| 16.2                             | 12.0 |            |            |           |           |           |           |           | 16.2                             |
| 18.0                             | 12.0 | 12.0 /19.2 | 12.0 /18.3 |           |           |           |           |           | 18.0                             |
| 20.0                             | 12.0 | 12.0       | 12.0       |           | 8.8 /20.4 |           |           |           | 20.0                             |
| 22.0                             | 12.0 | 12.0       | 12.0       | 9.0 /23.1 | 8.8       |           | 5.3 /22.5 |           | 22.0                             |
| 24.0                             | 12.0 | 12.0       | 12.0       | 9.0       | 8.8       |           | 5.1       |           | 24.0                             |
| 26.0                             | 12.0 | 12.0       | 12.0       | 9.0       | 8.8       | 6.4 /27.0 | 5.0       |           | 26.0                             |
| 28.0                             | 11.9 | 12.0       | 12.0       | 9.0       | 8.5       | 6.4       | 4.8       |           | 28.0                             |
| 30.0                             | 10.5 | 11.1       | 10.9       | 9.0       | 8.3       | 6.4       | 4.6       | 3.4 /30.9 | 30.0                             |
| 32.0                             | 9.4  | 9.9        | 9.8        | 9.0       | 8.1       | 6.4       | 4.5       | 3.3       | 32.0                             |
| 34.0                             | 8.4  | 8.9        | 8.8        | 9.0       | 7.9       | 6.4       | 4.4       | 3.3       | 34.0                             |
| 36.0                             | 7.6  | 7.9        | 7.9        | 8.6       | 7.7       | 6.4       | 4.2       | 3.2       | 36.0                             |
| 38.0                             | 6.8  | 7.1        | 7.2        | 7.7       | 7.4       | 6.4       | 4.1       | 3.1       | 38.0                             |
| 40.0                             | 6.1  | 6.4        | 6.5        | 7.0       | 6.7       | 6.4       | 4.0       | 3.1       | 40.0                             |
| 42.0                             | 5.5  | 5.8        | 5.8        | 6.3       | 6.1       | 6.3       | 3.9       | 3.0       | 42.0                             |
| 44.0                             | 4.9  | 5.2        | 5.3        | 5.7       | 5.5       | 6.1       | 3.8       | 3.0       | 44.0                             |
| 46.0                             | 4.4  | 4.7        | 4.8        | 5.2       | 5.0       | 5.6       | 3.7       | 2.9       | 46.0                             |
| 48.0                             | 4.0  | 4.2        | 4.3        | 4.7       | 4.6       | 5.1       | 3.6       | 2.9       | 48.0                             |
| 50.0                             | 3.6  | 3.7        | 3.9        | 4.2       | 4.1       | 4.6       | 3.5       | 2.8       | 50.0                             |
| 52.0                             | 3.2  | 3.3        | 3.5        | 3.8       | 3.7       | 4.2       | 3.4       | 2.8       | 52.0                             |
| 54.0                             | 2.8  | 3.0        | 3.1        | 3.4       | 3.4       | 3.8       | 3.3       | 2.7       | 54.0                             |
| 56.0                             | 2.5  | 2.6        | 2.8        | 3.0       | 3.0       | 3.4       | 3.2       | 2.7       | 56.0                             |
| 58.0                             | 2.2  | 2.3        | 2.5        | 2.7       | 2.7       | 3.1       | 2.9       | 2.7       | 58.0                             |
| 60.0                             | 1.9  | 2.0        | 2.2        | 2.4       | 2.4       | 2.8       | 2.6       | 2.6       | 60.0                             |
| 62.0                             |      | 1.9 /60.6  | 1.9        | 2.1       | 2.1       | 2.5       | 2.3       | 2.6       | 62.0                             |
| 64.0                             |      |            |            | 1.9 /63.3 | 1.9       | 2.2       | 2.1       | 2.5       | 64.0                             |
| 66.0                             |      |            |            |           |           | 1.9       | 1.9 /65.6 | 2.2       | 66.0                             |
| 68.0                             |      |            |            |           |           |           |           | 2.0       | 68.0                             |
| 70.0                             |      |            |            |           |           |           |           | 1.9 /68.6 | 70.0                             |

|                                  |            |            |            |           |           |           |           |           | Unit: ton                        |
|----------------------------------|------------|------------|------------|-----------|-----------|-----------|-----------|-----------|----------------------------------|
| Boom length (m)                  | 63         |            |            |           |           |           |           |           | Boom length (m)                  |
| Jib length (m)                   | 10         |            | 16         |           | 22        |           | 28        |           | Jib length (m)                   |
| Offset angle (deg)<br>Radius (m) | 10         | 30         | 10         | 30        | 10        | 30        | 10        | 30        | Offset angle (deg)<br>Radius (m) |
| 16.2                             | 12.0 /16.8 |            |            |           |           |           |           |           | 16.2                             |
| 18.0                             | 12.0       | 12.0 /19.8 | 12.0 /18.9 |           |           |           |           |           | 18.0                             |
| 20.0                             | 12.0       | 12.0       | 12.0       |           | 8.8 /21.0 |           |           |           | 20.0                             |
| 22.0                             | 12.0       | 12.0       | 12.0       | 9.0 /23.7 | 8.8       |           | 5.3 /23.1 |           | 22.0                             |
| 24.0                             | 12.0       | 12.0       | 12.0       | 9.0       | 8.8       |           | 5.2       |           | 24.0                             |
| 26.0                             | 12.0       | 12.0       | 12.0       | 9.0       | 8.8       | 6.4 /27.5 | 5.0       |           | 26.0                             |
| 28.0                             | 11.6       | 12.0       | 12.0       | 9.0       | 8.6       | 6.4       | 4.9       |           | 28.0                             |
| 30.0                             | 10.3       | 10.9       | 10.7       | 9.0       | 8.4       | 6.4       | 4.7       | 3.4 /31.4 | 30.0                             |
| 32.0                             | 9.2        | 9.7        | 9.6        | 9.0       | 8.2       | 6.4       | 4.6       | 3.4       | 32.0                             |
| 34.0                             | 8.2        | 8.7        | 8.6        | 9.0       | 8.0       | 6.4       | 4.4       | 3.3       | 34.0                             |
| 36.0                             | 7.3        | 7.8        | 7.7        | 8.4       | 7.8       | 6.4       | 4.3       | 3.2       | 36.0                             |
| 38.0                             | 6.6        | 7.0        | 6.9        | 7.6       | 7.2       | 6.4       | 4.2       | 3.2       | 38.0                             |
| 40.0                             | 5.9        | 6.2        | 6.2        | 6.8       | 6.5       | 6.4       | 4.0       | 3.1       | 40.0                             |
| 42.0                             | 5.3        | 5.6        | 5.6        | 6.1       | 5.9       | 6.4       | 3.9       | 3.0       | 42.0                             |
| 44.0                             | 4.7        | 5.0        | 5.1        | 5.5       | 5.3       | 6.0       | 3.8       | 3.0       | 44.0                             |
| 46.0                             | 4.2        | 4.5        | 4.5        | 5.0       | 4.8       | 5.5       | 3.7       | 2.9       | 46.0                             |
| 48.0                             | 3.8        | 4.0        | 4.1        | 4.5       | 4.3       | 4.9       | 3.6       | 2.9       | 48.0                             |
| 50.0                             | 3.3        | 3.5        | 3.6        | 4.0       | 3.9       | 4.5       | 3.5       | 2.8       | 50.0                             |
| 52.0                             | 2.9        | 3.1        | 3.3        | 3.6       | 3.5       | 4.0       | 3.5       | 2.8       | 52.0                             |
| 54.0                             | 2.6        | 2.8        | 2.9        | 3.2       | 3.1       | 3.6       | 3.4       | 2.7       | 54.0                             |
| 56.0                             | 2.3        | 2.4        | 2.6        | 2.8       | 2.8       | 3.2       | 3.0       | 2.7       | 56.0                             |
| 58.0                             | 2.0        | 2.1        | 2.3        | 2.5       | 2.5       | 2.9       | 2.7       | 2.7       | 58.0                             |
| 60.0                             | 1.9 /58.6  | 1.9 /59.3  | 2.0        | 2.2       | 2.2       | 2.6       | 2.4       | 2.7       | 60.0                             |
| 62.0                             |            |            | 1.9 /60.6  | 1.9       | 1.9       | 2.3       | 2.1       | 2.6       | 62.0                             |
| 64.0                             |            |            |            |           |           | 2.0       | 1.9 /63.6 | 2.3       | 64.0                             |
| 66.0                             |            |            |            |           |           | 1.9 /64.6 |           | 2.0       | 66.0                             |
| 68.0                             |            |            |            |           |           |           |           | 1.9 /67.0 | 68.0                             |

• For notes about the table above, refer to page 20.

■ Main Boom with Crane Jib (With Crane Boom Extensions)



Unit: ton

| Boom length (m)    | 24         |            |            |            |            |            |            |            | Boom length (m)    |
|--------------------|------------|------------|------------|------------|------------|------------|------------|------------|--------------------|
| Jib length (m)     | 10         |            | 16         |            | 22         |            | 28         |            | Jib length (m)     |
| Offset angle (deg) | 10         | 30         | 10         | 30         | 10         | 30         | 10         | 30         | Offset angle (deg) |
| Radius (m)         |            |            |            |            |            |            |            |            | Radius (m)         |
| 6.3                | 80.0       | 80.0       | 80.0       | 80.0       | 80.0       | 80.0       | 80.0       | 80.0       | 6.3                |
| 7.0                | 80.0       | 80.0       | 80.0       | 80.0       | 80.0       | 80.0       | 80.0       | 80.0       | 7.0                |
| 8.0                | 74.3       | 74.0       | 73.7       | 73.2       | 73.1       | 72.4       | 72.5       | 71.4       | 8.0                |
| 9.0                | 63.5       | 63.1       | 62.8       | 62.1       | 62.0       | 61.0       | 61.1       | 59.7       | 9.0                |
| 10.0               | 54.1       | 53.8       | 53.5       | 52.9       | 52.7       | 51.8       | 51.8       | 50.6       | 10.0               |
| 12.0               | 41.4       | 41.2       | 40.8       | 40.4       | 40.0       | 39.4       | 39.2       | 38.4       | 12.0               |
| 14.0               | 33.2       | 33.0       | 32.6       | 32.2       | 31.9       | 31.4       | 31.1       | 30.5       | 14.0               |
| 16.0               | 27.4       | 27.3       | 26.8       | 26.6       | 26.1       | 25.8       | 25.4       | 24.9       | 16.0               |
| 18.0               | 23.1       | 23.0       | 22.6       | 22.4       | 21.9       | 21.7       | 21.2       | 20.9       | 18.0               |
| 20.0               | 19.9       | 19.8       | 19.3       | 19.2       | 18.7       | 18.5       | 18.0       | 17.8       | 20.0               |
| 22.0               | 17.3       | 17.2       | 16.8       | 16.7       | 16.1       | 16.1       | 15.5       | 15.4       | 22.0               |
| 24.0               | 16.9 /22.3 | 16.9 /22.3 | 16.4 /22.3 | 16.4 /22.3 | 15.8 /22.3 | 15.7 /22.3 | 15.1 /22.3 | 15.1 /22.3 | 24.0               |

Unit: ton

| Boom length (m)    | 27         |            |            |            |            |            |            |            | Boom length (m)    |
|--------------------|------------|------------|------------|------------|------------|------------|------------|------------|--------------------|
| Jib length (m)     | 10         |            | 16         |            | 22         |            | 28         |            | Jib length (m)     |
| Offset angle (deg) | 10         | 30         | 10         | 30         | 10         | 30         | 10         | 30         | Offset angle (deg) |
| Radius (m)         |            |            |            |            |            |            |            |            | Radius (m)         |
| 6.3                | 80.0 /6.8  | 80.0 /6.8  | 80.0 /6.8  | 80.0 /6.8  | 80.0 /6.8  | 80.0 /6.8  | 80.0 /6.8  | 80.0 /6.8  | 6.3                |
| 7.0                | 80.0       | 80.0       | 80.0       | 80.0       | 80.0       | 80.0       | 80.0       | 80.0       | 7.0                |
| 8.0                | 74.1       | 73.8       | 73.6       | 73.1       | 73.0       | 72.2       | 72.4       | 71.3       | 8.0                |
| 9.0                | 63.5       | 63.1       | 62.8       | 62.1       | 62.1       | 61.0       | 61.2       | 59.7       | 9.0                |
| 10.0               | 54.1       | 53.8       | 53.5       | 52.9       | 52.7       | 51.8       | 51.9       | 50.7       | 10.0               |
| 12.0               | 41.3       | 41.1       | 40.7       | 40.3       | 40.0       | 39.4       | 39.3       | 38.4       | 12.0               |
| 14.0               | 33.1       | 32.9       | 32.5       | 32.2       | 31.8       | 31.4       | 31.1       | 30.4       | 14.0               |
| 16.0               | 27.3       | 27.2       | 26.7       | 26.5       | 26.1       | 25.7       | 25.4       | 24.9       | 16.0               |
| 18.0               | 23.0       | 22.9       | 22.5       | 22.3       | 21.9       | 21.6       | 21.2       | 20.8       | 18.0               |
| 20.0               | 19.8       | 19.7       | 19.2       | 19.1       | 18.6       | 18.4       | 18.0       | 17.7       | 20.0               |
| 22.0               | 17.2       | 17.1       | 16.7       | 16.6       | 16.1       | 15.9       | 15.4       | 15.2       | 22.0               |
| 24.0               | 15.1       | 15.0       | 14.6       | 14.5       | 14.0       | 13.9       | 13.4       | 13.3       | 24.0               |
| 26.0               | 14.3 /24.9 | 14.2 /24.9 | 13.8 /24.9 | 13.7 /24.9 | 13.2 /24.9 | 13.1 /24.9 | 12.6 /24.9 | 12.5 /24.9 | 26.0               |

1. The rated loads are determined according to EN13000 rating with the machine on firm level ground.
2. The figures surrounded by bold lines are based on factors other than those which would cause a tipping condition.
3. To calculate the maximum load that can actually be lifted, deduct weight of all lifting accessories, such as boom hook and jib hook, from figures shown above.
4. Working radius is the horizontal distance from the slewing center to the center of gravity of a lifted load.
5. The offset angles shown are of jib boom offset angle against the main boom, under load.
6. The counter weight is 49.6 ton.
7. Correlation between the number of reeved lines, maximum rated loads, hook weights are shown in the table below.

| Hook Capacity (t) | Hook Weight (t) | Maximum rated loads (t) |        |        |        |        |        |       |
|-------------------|-----------------|-------------------------|--------|--------|--------|--------|--------|-------|
|                   |                 | 7falls                  | 6falls | 5falls | 4falls | 3falls | 2falls | 1fall |
| 120               | 1.64            | 84                      | 72     | 60     | 48     | 36     | 24     |       |
| 80                | 1.35            | 80                      | 72     | 60     | 48     | 36     | 24     |       |
| 35                | 0.90            |                         |        |        |        | 35     | 24     |       |
| 12                | 0.51            |                         |        |        |        |        |        | 12    |

■ Main Boom with Crane Jib (With Crane Boom Extensions)



Unit: ton

| Boom length (m)                  | 30          |             |             |             |             |             |             |             | Boom length (m)                  |
|----------------------------------|-------------|-------------|-------------|-------------|-------------|-------------|-------------|-------------|----------------------------------|
| Jib length (m)                   | 10          |             | 16          |             | 22          |             | 28          |             | Jib length (m)                   |
| Offset angle (deg)<br>Radius (m) | 10          | 30          | 10          | 30          | 10          | 30          | 10          | 30          | Offset angle (deg)<br>Radius (m) |
| 7.4                              | 72.0        | 72.0        | 72.0        | 72.0        | 72.0        | 72.0 / 7.4  | 72.0 / 7.4  | 72.0 / 7.4  | 7.4                              |
| 8.0                              | 72.0        | 72.0        | 72.0        | 72.0        | 72.0        | 71.2        | 71.3        | 69.7        | 8.0                              |
| 9.0                              | 63.5        | 63.1        | 62.9        | 62.2        | 62.2        | 61.1        | 61.2        | 59.8        | 9.0                              |
| 10.0                             | 54.1        | 53.8        | 53.5        | 52.9        | 52.8        | 51.9        | 52.0        | 50.7        | 10.0                             |
| 12.0                             | 41.3        | 41.1        | 40.8        | 40.3        | 40.1        | 39.4        | 39.4        | 38.4        | 12.0                             |
| 14.0                             | 33.1        | 32.9        | 32.5        | 32.2        | 31.9        | 31.4        | 31.2        | 30.5        | 14.0                             |
| 16.0                             | 27.3        | 27.1        | 26.8        | 26.5        | 26.2        | 25.7        | 25.5        | 24.9        | 16.0                             |
| 18.0                             | 23.0        | 22.9        | 22.5        | 22.3        | 21.9        | 21.6        | 21.3        | 20.8        | 18.0                             |
| 20.0                             | 19.7        | 19.6        | 19.2        | 19.1        | 18.7        | 18.4        | 18.0        | 17.7        | 20.0                             |
| 22.0                             | 17.1        | 17.1        | 16.6        | 16.5        | 16.1        | 15.9        | 15.5        | 15.2        | 22.0                             |
| 24.0                             | 15.0        | 15.0        | 14.5        | 14.4        | 14.0        | 13.9        | 13.4        | 13.2        | 24.0                             |
| 26.0                             | 13.3        | 13.2        | 12.8        | 12.7        | 12.3        | 12.2        | 11.7        | 11.6        | 26.0                             |
| 28.0                             | 12.2 / 27.5 | 12.1 / 27.5 | 11.7 / 27.5 | 11.7 / 27.5 | 11.2 / 27.5 | 11.1 / 27.5 | 10.6 / 27.5 | 10.5 / 27.5 | 28.0                             |

Unit: ton

| Boom length (m)                  | 33          |             |             |            |            |            |            |            | Boom length (m)                  |
|----------------------------------|-------------|-------------|-------------|------------|------------|------------|------------|------------|----------------------------------|
| Jib length (m)                   | 10          |             | 16          |            | 22         |            | 28         |            | Jib length (m)                   |
| Offset angle (deg)<br>Radius (m) | 10          | 30          | 10          | 30         | 10         | 30         | 10         | 30         | Offset angle (deg)<br>Radius (m) |
| 7.4                              | 72.0 / 7.9  | 72.0 / 7.9  | 72.0 / 7.9  | 72.0 / 7.9 | 71.9 / 7.9 | 70.7 / 7.9 | 70.9 / 7.9 | 69.2 / 7.9 | 7.4                              |
| 8.0                              | 72.0        | 72.0        | 71.7        | 70.9       | 70.8       | 69.6       | 69.7       | 68.1       | 8.0                              |
| 9.0                              | 62.6        | 62.2        | 61.8        | 61.1       | 61.0       | 60.0       | 60.0       | 58.6       | 9.0                              |
| 10.0                             | 54.0        | 53.7        | 53.4        | 52.8       | 52.8       | 51.8       | 52.0       | 50.7       | 10.0                             |
| 12.0                             | 41.3        | 41.0        | 40.7        | 40.2       | 40.1       | 39.3       | 39.3       | 38.4       | 12.0                             |
| 14.0                             | 33.0        | 32.8        | 32.4        | 32.1       | 31.8       | 31.3       | 31.2       | 30.4       | 14.0                             |
| 16.0                             | 27.2        | 27.0        | 26.7        | 26.4       | 26.1       | 25.6       | 25.4       | 24.8       | 16.0                             |
| 18.0                             | 22.9        | 22.8        | 22.4        | 22.2       | 21.8       | 21.5       | 21.2       | 20.7       | 18.0                             |
| 20.0                             | 19.6        | 19.5        | 19.1        | 18.9       | 18.6       | 18.3       | 18.0       | 17.6       | 20.0                             |
| 22.0                             | 17.0        | 16.9        | 16.5        | 16.4       | 16.0       | 15.8       | 15.4       | 15.1       | 22.0                             |
| 24.0                             | 14.9        | 14.8        | 14.4        | 14.3       | 13.9       | 13.7       | 13.3       | 13.1       | 24.0                             |
| 26.0                             | 13.2        | 13.1        | 12.7        | 12.6       | 12.2       | 12.1       | 11.6       | 11.4       | 26.0                             |
| 28.0                             | 11.7        | 11.7        | 11.3        | 11.2       | 10.8       | 10.7       | 10.2       | 10.1       | 28.0                             |
| 30.0                             | 10.5        | 10.4        | 10.0        | 10.0       | 9.5        | 9.5        | 9.0        | 8.9        | 30.0                             |
| 32.0                             | 10.4 / 30.1 | 10.4 / 30.1 | 10.0 / 30.1 | 9.9 / 30.1 | 9.5 / 30.1 | 9.4 / 30.1 | 8.9 / 30.1 | 8.9 / 30.1 | 32.0                             |

• For notes about the table above, refer to page 27.

■ Main Boom with Crane Jib (With Crane Boom Extensions)



Unit: ton

| Boom length (m)                  | 36        |           |           |           |           |           |           |           | Boom length (m)                  |
|----------------------------------|-----------|-----------|-----------|-----------|-----------|-----------|-----------|-----------|----------------------------------|
| Jib length (m)                   | 10        |           | 16        |           | 22        |           | 28        |           | Jib length (m)                   |
| Offset angle (deg)<br>Radius (m) | 10        | 30        | 10        | 30        | 10        | 30        | 10        | 30        | Offset angle (deg)<br>Radius (m) |
| 8.5                              | 60.0      | 60.0      | 60.0      | 60.0      | 60.0      | 60.0      | 60.0      | 60.0      | 8.5                              |
| 9.0                              | 60.0      | 60.0      | 60.0      | 59.8      | 59.6      | 58.6      | 58.7      | 57.3      | 9.0                              |
| 10.0                             | 53.7      | 53.4      | 53.1      | 52.5      | 52.3      | 51.4      | 51.4      | 50.2      | 10.0                             |
| 12.0                             | 41.2      | 40.9      | 40.6      | 40.1      | 40.0      | 39.3      | 39.3      | 38.3      | 12.0                             |
| 14.0                             | 32.9      | 32.7      | 32.4      | 32.0      | 31.8      | 31.2      | 31.1      | 30.3      | 14.0                             |
| 16.0                             | 27.1      | 26.9      | 26.6      | 26.3      | 26.0      | 25.6      | 25.4      | 24.8      | 16.0                             |
| 18.0                             | 22.8      | 22.7      | 22.3      | 22.1      | 21.8      | 21.4      | 21.2      | 20.6      | 18.0                             |
| 20.0                             | 19.5      | 19.4      | 19.0      | 18.8      | 18.5      | 18.2      | 17.9      | 17.5      | 20.0                             |
| 22.0                             | 16.9      | 16.8      | 16.4      | 16.3      | 15.9      | 15.6      | 15.3      | 15.0      | 22.0                             |
| 24.0                             | 14.8      | 14.7      | 14.3      | 14.2      | 13.8      | 13.6      | 13.2      | 13.0      | 24.0                             |
| 26.0                             | 13.0      | 13.0      | 12.6      | 12.5      | 12.1      | 11.9      | 11.5      | 11.3      | 26.0                             |
| 28.0                             | 11.6      | 11.5      | 11.1      | 11.0      | 10.6      | 10.5      | 10.1      | 9.9       | 28.0                             |
| 30.0                             | 10.3      | 10.3      | 9.9       | 9.8       | 9.4       | 9.3       | 8.9       | 8.7       | 30.0                             |
| 32.0                             | 9.2       | 9.2       | 8.8       | 8.8       | 8.3       | 8.3       | 7.8       | 7.7       | 32.0                             |
| 34.0                             | 8.9 /32.7 | 8.9 /32.7 | 8.5 /32.7 | 8.4 /32.7 | 8.0 /32.7 | 7.9 /32.7 | 7.5 /32.7 | 7.4 /32.7 | 34.0                             |

Unit: ton

| Boom length (m)                  | 39        |           |           |           |           |           |           |           | Boom length (m)                  |
|----------------------------------|-----------|-----------|-----------|-----------|-----------|-----------|-----------|-----------|----------------------------------|
| Jib length (m)                   | 10        |           | 16        |           | 22        |           | 28        |           | Jib length (m)                   |
| Offset angle (deg)<br>Radius (m) | 10        | 30        | 10        | 30        | 10        | 30        | 10        | 30        | Offset angle (deg)<br>Radius (m) |
| 9.0                              | 59.9      | 59.5      | 59.2      | 58.5      | 58.4      | 57.4      | 57.5      | 56.1      | 9.0                              |
| 10.0                             | 52.7      | 52.4      | 52.0      | 51.5      | 51.3      | 50.4      | 50.4      | 49.2      | 10.0                             |
| 12.0                             | 41.1      | 40.8      | 40.5      | 40.0      | 39.9      | 39.2      | 39.3      | 38.2      | 12.0                             |
| 14.0                             | 32.8      | 32.5      | 32.3      | 31.9      | 31.7      | 31.1      | 31.1      | 30.2      | 14.0                             |
| 16.0                             | 27.0      | 26.8      | 26.5      | 26.1      | 25.9      | 25.4      | 25.3      | 24.7      | 16.0                             |
| 18.0                             | 22.7      | 22.5      | 22.2      | 21.9      | 21.7      | 21.3      | 21.1      | 20.5      | 18.0                             |
| 20.0                             | 19.4      | 19.2      | 18.9      | 18.7      | 18.4      | 18.1      | 17.8      | 17.4      | 20.0                             |
| 22.0                             | 16.8      | 16.7      | 16.3      | 16.1      | 15.8      | 15.5      | 15.2      | 14.9      | 22.0                             |
| 24.0                             | 14.6      | 14.5      | 14.2      | 14.0      | 13.7      | 13.5      | 13.1      | 12.8      | 24.0                             |
| 26.0                             | 12.9      | 12.8      | 12.4      | 12.3      | 12.0      | 11.8      | 11.4      | 11.2      | 26.0                             |
| 28.0                             | 11.4      | 11.4      | 11.0      | 10.9      | 10.5      | 10.3      | 10.0      | 9.8       | 28.0                             |
| 30.0                             | 10.2      | 10.1      | 9.7       | 9.7       | 9.3       | 9.1       | 8.7       | 8.6       | 30.0                             |
| 32.0                             | 9.1       | 9.0       | 8.7       | 8.6       | 8.2       | 8.1       | 7.7       | 7.6       | 32.0                             |
| 34.0                             | 8.2       | 8.1       | 7.7       | 7.7       | 7.3       | 7.2       | 6.8       | 6.7       | 34.0                             |
| 36.0                             | 7.6 /35.3 | 7.6 /35.3 | 7.2 /35.3 | 7.2 /35.3 | 6.8 /35.3 | 6.7 /35.3 | 6.3 /35.3 | 6.2 /35.3 | 36.0                             |

• For notes about the table above, refer to page 27.

■ Main Boom with Crane Jib (With Crane Boom Extensions)



Unit: ton

| Boom length (m)                  | 42        |           |           |           |           |           |           |           | Boom length (m)                  |
|----------------------------------|-----------|-----------|-----------|-----------|-----------|-----------|-----------|-----------|----------------------------------|
| Jib length (m)                   | 10        |           | 16        |           | 22        |           | 28        |           | Jib length (m)                   |
| Offset angle (deg)<br>Radius (m) | 10        | 30        | 10        | 30        | 10        | 30        | 10        | 30        | Offset angle (deg)<br>Radius (m) |
| 9.6                              | 48.0      | 48.0      | 48.0      | 48.0      | 48.0      | 48.0      | 48.0      | 48.0      | 9.6                              |
| 10.0                             | 48.0      | 48.0      | 48.0      | 48.0      | 48.0      | 48.0      | 48.0      | 48.0      | 10.0                             |
| 12.0                             | 41.0      | 40.7      | 40.5      | 40.0      | 39.9      | 39.2      | 39.3      | 38.2      | 12.0                             |
| 14.0                             | 32.7      | 32.5      | 32.2      | 31.8      | 31.7      | 31.1      | 31.1      | 30.2      | 14.0                             |
| 16.0                             | 26.9      | 26.7      | 26.4      | 26.1      | 25.9      | 25.4      | 25.3      | 24.6      | 16.0                             |
| 18.0                             | 22.6      | 22.5      | 22.2      | 21.9      | 21.6      | 21.2      | 21.1      | 20.5      | 18.0                             |
| 20.0                             | 19.3      | 19.2      | 18.9      | 18.6      | 18.4      | 18.0      | 17.8      | 17.3      | 20.0                             |
| 22.0                             | 16.7      | 16.6      | 16.3      | 16.1      | 15.8      | 15.5      | 15.2      | 14.8      | 22.0                             |
| 24.0                             | 14.6      | 14.5      | 14.1      | 14.0      | 13.6      | 13.4      | 13.1      | 12.8      | 24.0                             |
| 26.0                             | 12.8      | 12.7      | 12.4      | 12.2      | 11.9      | 11.7      | 11.4      | 11.1      | 26.0                             |
| 28.0                             | 11.3      | 11.3      | 10.9      | 10.8      | 10.4      | 10.3      | 9.9       | 9.7       | 28.0                             |
| 30.0                             | 10.1      | 10.0      | 9.7       | 9.6       | 9.2       | 9.1       | 8.7       | 8.5       | 30.0                             |
| 32.0                             | 9.0       | 8.9       | 8.6       | 8.5       | 8.1       | 8.0       | 7.6       | 7.5       | 32.0                             |
| 34.0                             | 8.1       | 8.0       | 7.6       | 7.6       | 7.2       | 7.1       | 6.7       | 6.6       | 34.0                             |
| 36.0                             | 7.2       | 7.2       | 6.8       | 6.8       | 6.4       | 6.3       | 5.9       | 5.8       | 36.0                             |
| 38.0                             | 6.5 /37.9 | 6.5 /37.9 | 6.1 /37.9 | 6.1 /37.9 | 5.7 /37.9 | 5.7 /37.9 | 5.2 /37.9 | 5.2 /37.9 | 38.0                             |

Unit: ton

| Boom length (m)                  | 45         |            |            |            |            |            |            |            | Boom length (m)                  |
|----------------------------------|------------|------------|------------|------------|------------|------------|------------|------------|----------------------------------|
| Jib length (m)                   | 10         |            | 16         |            | 22         |            | 28         |            | Jib length (m)                   |
| Offset angle (deg)<br>Radius (m) | 10         | 30         | 10         | 30         | 10         | 30         | 10         | 30         | Offset angle (deg)<br>Radius (m) |
| 10.0                             | 48.0 /10.1 | 48.0 /10.1 | 48.0 /10.1 | 48.0 /10.1 | 48.0 /10.1 | 47.7 /10.1 | 47.8 /10.1 | 46.6 /10.1 | 10.0                             |
| 12.0                             | 40.6       | 40.3       | 40.0       | 39.5       | 39.3       | 38.6       | 38.5       | 37.5       | 12.0                             |
| 14.0                             | 32.6       | 32.3       | 32.1       | 31.7       | 31.5       | 30.9       | 30.9       | 30.1       | 14.0                             |
| 16.0                             | 26.7       | 26.5       | 26.3       | 25.9       | 25.7       | 25.2       | 25.2       | 24.5       | 16.0                             |
| 18.0                             | 22.4       | 22.3       | 22.0       | 21.7       | 21.5       | 21.0       | 20.9       | 20.3       | 18.0                             |
| 20.0                             | 19.1       | 19.0       | 18.7       | 18.4       | 18.2       | 17.8       | 17.6       | 17.1       | 20.0                             |
| 22.0                             | 16.5       | 16.4       | 16.1       | 15.8       | 15.6       | 15.3       | 15.0       | 14.6       | 22.0                             |
| 24.0                             | 14.4       | 14.3       | 13.9       | 13.8       | 13.5       | 13.2       | 12.9       | 12.6       | 24.0                             |
| 26.0                             | 12.6       | 12.5       | 12.2       | 12.0       | 11.7       | 11.5       | 11.2       | 10.9       | 26.0                             |
| 28.0                             | 11.1       | 11.0       | 10.7       | 10.6       | 10.2       | 10.1       | 9.7        | 9.5        | 28.0                             |
| 30.0                             | 9.9        | 9.8        | 9.5        | 9.3        | 9.0        | 8.8        | 8.5        | 8.3        | 30.0                             |
| 32.0                             | 8.8        | 8.7        | 8.4        | 8.3        | 7.9        | 7.8        | 7.4        | 7.3        | 32.0                             |
| 34.0                             | 7.8        | 7.8        | 7.4        | 7.4        | 7.0        | 6.9        | 6.5        | 6.4        | 34.0                             |
| 36.0                             | 7.0        | 7.0        | 6.6        | 6.5        | 6.2        | 6.1        | 5.7        | 5.6        | 36.0                             |
| 38.0                             | 6.3        | 6.2        | 5.9        | 5.8        | 5.5        | 5.4        | 5.0        | 4.9        | 38.0                             |
| 40.0                             | 5.6        | 5.6        | 5.2        | 5.2        | 4.8        | 4.8        | 4.4        | 4.3        | 40.0                             |
| 42.0                             | 5.5 /40.5  | 5.5 /40.5  | 5.1 /40.5  | 5.1 /40.5  | 4.7 /40.5  | 4.6 /40.5  | 4.2 /40.5  | 4.2 /40.5  | 42.0                             |

• For notes about the table above, refer to page 27.

■ Main Boom with Crane Jib (With Crane Boom Extensions)



Unit: ton

| Boom length (m)    | 48        |           |           |           |           |           |           |           | Boom length (m)    |
|--------------------|-----------|-----------|-----------|-----------|-----------|-----------|-----------|-----------|--------------------|
| Jib length (m)     | 10        |           | 16        |           | 22        |           | 28        |           | Jib length (m)     |
| Offset angle (deg) | 10        | 30        | 10        | 30        | 10        | 30        | 10        | 30        | Offset angle (deg) |
| Radius (m)         |           |           |           |           |           |           |           |           | Radius (m)         |
| 10.6               | 36.0      | 36.0      | 36.0      | 36.0      | 36.0      | 36.0      | 36.0      | 36.0      | 10.6               |
| 12.0               | 36.0      | 36.0      | 36.0      | 36.0      | 36.0      | 36.0      | 36.0      | 36.0      | 12.0               |
| 14.0               | 32.5      | 32.3      | 32.0      | 31.6      | 31.5      | 30.9      | 30.9      | 30.0      | 14.0               |
| 16.0               | 26.7      | 26.5      | 26.2      | 25.9      | 25.7      | 25.2      | 25.2      | 24.4      | 16.0               |
| 18.0               | 22.4      | 22.2      | 21.9      | 21.6      | 21.4      | 21.0      | 20.9      | 20.3      | 18.0               |
| 20.0               | 19.1      | 18.9      | 18.6      | 18.4      | 18.1      | 17.8      | 17.6      | 17.1      | 20.0               |
| 22.0               | 16.4      | 16.3      | 16.0      | 15.8      | 15.5      | 15.2      | 15.0      | 14.6      | 22.0               |
| 24.0               | 14.3      | 14.2      | 13.9      | 13.7      | 13.4      | 13.1      | 12.9      | 12.5      | 24.0               |
| 26.0               | 12.5      | 12.4      | 12.1      | 12.0      | 11.7      | 11.4      | 11.2      | 10.8      | 26.0               |
| 28.0               | 11.1      | 11.0      | 10.6      | 10.5      | 10.2      | 10.0      | 9.7       | 9.4       | 28.0               |
| 30.0               | 9.8       | 9.7       | 9.4       | 9.3       | 8.9       | 8.8       | 8.5       | 8.2       | 30.0               |
| 32.0               | 8.7       | 8.6       | 8.3       | 8.2       | 7.9       | 7.7       | 7.4       | 7.2       | 32.0               |
| 34.0               | 7.8       | 7.7       | 7.4       | 7.3       | 6.9       | 6.8       | 6.4       | 6.3       | 34.0               |
| 36.0               | 6.9       | 6.9       | 6.5       | 6.4       | 6.1       | 6.0       | 5.6       | 5.5       | 36.0               |
| 38.0               | 6.2       | 6.1       | 5.8       | 5.7       | 5.4       | 5.3       | 4.9       | 4.8       | 38.0               |
| 40.0               | 5.5       | 5.5       | 5.1       | 5.1       | 4.7       | 4.7       | 4.3       | 4.2       | 40.0               |
| 42.0               | 4.9       | 4.9       | 4.6       | 4.5       | 4.2       | 4.1       | 3.7       | 3.6       | 42.0               |
| 44.0               | 4.7 /43.1 | 4.6 /43.1 | 4.3 /43.1 | 4.2 /43.1 | 3.9 /43.1 | 3.8 /43.1 | 3.4 /43.1 | 3.4 /43.1 | 44.0               |

Unit: ton

| Boom length (m)    | 51         |            |            |            |            |            |            |            | Boom length (m)    |
|--------------------|------------|------------|------------|------------|------------|------------|------------|------------|--------------------|
| Jib length (m)     | 10         |            | 16         |            | 22         |            | 28         |            | Jib length (m)     |
| Offset angle (deg) | 10         | 30         | 10         | 30         | 10         | 30         | 10         | 30         | Offset angle (deg) |
| Radius (m)         |            |            |            |            |            |            |            |            | Radius (m)         |
| 10.6               | 36.0 /11.2 | 36.0 /11.2 | 36.0 /11.2 | 36.0 /11.2 | 36.0 /11.2 | 36.0 /11.2 | 36.0 /11.2 | 36.0 /11.2 | 10.6               |
| 12.0               | 36.0       | 36.0       | 36.0       | 36.0       | 36.0       | 36.0       | 36.0       | 36.0       | 12.0               |
| 14.0               | 32.3       | 32.1       | 31.7       | 31.3       | 31.1       | 30.5       | 30.4       | 29.6       | 14.0               |
| 16.0               | 26.5       | 26.3       | 26.1       | 25.7       | 25.6       | 25.0       | 25.0       | 24.3       | 16.0               |
| 18.0               | 22.2       | 22.1       | 21.8       | 21.5       | 21.3       | 20.8       | 20.8       | 20.1       | 18.0               |
| 20.0               | 18.9       | 18.8       | 18.5       | 18.2       | 18.0       | 17.6       | 17.5       | 17.0       | 20.0               |
| 22.0               | 16.3       | 16.2       | 15.9       | 15.6       | 15.4       | 15.1       | 14.9       | 14.4       | 22.0               |
| 24.0               | 14.2       | 14.0       | 13.7       | 13.5       | 13.3       | 13.0       | 12.8       | 12.4       | 24.0               |
| 26.0               | 12.4       | 12.3       | 12.0       | 11.8       | 11.5       | 11.3       | 11.0       | 10.7       | 26.0               |
| 28.0               | 10.9       | 10.8       | 10.5       | 10.3       | 10.0       | 9.8        | 9.6        | 9.3        | 28.0               |
| 30.0               | 9.6        | 9.5        | 9.2        | 9.1        | 8.8        | 8.6        | 8.3        | 8.1        | 30.0               |
| 32.0               | 8.5        | 8.5        | 8.1        | 8.0        | 7.7        | 7.5        | 7.2        | 7.0        | 32.0               |
| 34.0               | 7.6        | 7.5        | 7.2        | 7.1        | 6.8        | 6.6        | 6.3        | 6.1        | 34.0               |
| 36.0               | 6.8        | 6.7        | 6.4        | 6.3        | 5.9        | 5.8        | 5.5        | 5.3        | 36.0               |
| 38.0               | 6.0        | 6.0        | 5.6        | 5.6        | 5.2        | 5.1        | 4.8        | 4.6        | 38.0               |
| 40.0               | 5.4        | 5.3        | 5.0        | 4.9        | 4.6        | 4.5        | 4.1        | 4.0        | 40.0               |
| 42.0               | 4.8        | 4.7        | 4.4        | 4.3        | 4.0        | 3.9        | 3.5        | 3.5        | 42.0               |
| 44.0               | 4.2        | 4.2        | 3.9        | 3.8        | 3.5        | 3.4        | 3.0        | 3.0        | 44.0               |
| 46.0               | 3.8 /45.7  | 3.8 /45.7  | 3.5 /45.7  | 3.4 /45.7  | 3.1 /45.7  | 3.0 /45.7  | 2.6 /45.7  | 2.6 /45.7  | 46.0               |

• For notes about the table above, refer to page 27.

■ Main Boom with Crane Jib (With Crane Boom Extensions)



Unit: ton

| Boom length (m)                  | 54        |           |           |           |           |           |           |      | Boom length (m)                  |
|----------------------------------|-----------|-----------|-----------|-----------|-----------|-----------|-----------|------|----------------------------------|
| Jib length (m)                   | 10        |           | 16        |           | 22        |           | 28        |      | Jib length (m)                   |
| Offset angle (deg)<br>Radius (m) | 10        | 30        | 10        | 30        | 10        | 30        | 10        | 30   | Offset angle (deg)<br>Radius (m) |
| 11.7                             | 36.0      | 36.0      | 36.0      | 36.0      | 36.0      | 36.0      | 36.0      | 35.7 | 11.7                             |
| 12.0                             | 36.0      | 36.0      | 36.0      | 36.0      | 36.0      | 36.0      | 35.6      | 35.3 | 12.0                             |
| 14.0                             | 31.6      | 31.4      | 31.1      | 30.7      | 30.5      | 29.9      | 29.8      | 29.0 | 14.0                             |
| 16.0                             | 26.4      | 26.1      | 25.9      | 25.5      | 25.4      | 24.9      | 24.9      | 24.1 | 16.0                             |
| 18.0                             | 22.0      | 21.9      | 21.6      | 21.3      | 21.1      | 20.7      | 20.6      | 20.0 | 18.0                             |
| 20.0                             | 18.7      | 18.6      | 18.3      | 18.0      | 17.8      | 17.4      | 17.3      | 16.8 | 20.0                             |
| 22.0                             | 16.1      | 15.9      | 15.7      | 15.4      | 15.2      | 14.9      | 14.7      | 14.2 | 22.0                             |
| 24.0                             | 13.9      | 13.8      | 13.5      | 13.3      | 13.1      | 12.8      | 12.6      | 12.2 | 24.0                             |
| 26.0                             | 12.2      | 12.1      | 11.8      | 11.6      | 11.3      | 11.1      | 10.8      | 10.5 | 26.0                             |
| 28.0                             | 10.7      | 10.6      | 10.3      | 10.1      | 9.8       | 9.6       | 9.4       | 9.1  | 28.0                             |
| 30.0                             | 9.4       | 9.3       | 9.0       | 8.9       | 8.6       | 8.4       | 8.1       | 7.8  | 30.0                             |
| 32.0                             | 8.3       | 8.2       | 7.9       | 7.8       | 7.5       | 7.3       | 7.0       | 6.8  | 32.0                             |
| 34.0                             | 7.4       | 7.3       | 7.0       | 6.9       | 6.6       | 6.4       | 6.1       | 5.9  | 34.0                             |
| 36.0                             | 6.5       | 6.5       | 6.1       | 6.1       | 5.7       | 5.6       | 5.3       | 5.1  | 36.0                             |
| 38.0                             | 5.8       | 5.7       | 5.4       | 5.3       | 5.0       | 4.9       | 4.5       | 4.4  | 38.0                             |
| 40.0                             | 5.1       | 5.1       | 4.8       | 4.7       | 4.3       | 4.2       | 3.9       | 3.8  | 40.0                             |
| 42.0                             | 4.5       | 4.5       | 4.2       | 4.1       | 3.8       | 3.7       | 3.3       | 3.2  | 42.0                             |
| 44.0                             | 4.0       | 4.0       | 3.6       | 3.6       | 3.2       | 3.2       | 2.8       | 2.7  | 44.0                             |
| 46.0                             | 3.5       | 3.5       | 3.2       | 3.1       | 2.8       | 2.7       | 2.4       | 2.3  | 46.0                             |
| 48.0                             | 3.1       | 3.1       | 2.7       | 2.7       | 2.4       | 2.3       | 1.9       | 1.9  | 48.0                             |
| 50.0                             | 3.0 /48.3 | 3.0 /48.3 | 2.7 /48.3 | 2.7 /48.3 | 2.3 /48.3 | 2.3 /48.3 | 1.9 /48.3 |      | 50.0                             |

Unit: ton

| Boom length (m)                  | 57         |            |            |            |            |            |            |            | Boom length (m)                  |
|----------------------------------|------------|------------|------------|------------|------------|------------|------------|------------|----------------------------------|
| Jib length (m)                   | 10         |            | 16         |            | 22         |            | 28         |            | Jib length (m)                   |
| Offset angle (deg)<br>Radius (m) | 10         | 30         | 10         | 30         | 10         | 30         | 10         | 30         | Offset angle (deg)<br>Radius (m) |
| 12.0                             | 35.2 /12.3 | 35.2 /12.3 | 34.2 /12.3 | 34.1 /12.3 | 33.0 /12.3 | 32.9 /12.3 | 31.7 /12.3 | 31.5 /12.3 | 12.0                             |
| 14.0                             | 31.0       | 30.8       | 30.5       | 30.1       | 29.9       | 29.3       | 29.2       | 28.4       | 14.0                             |
| 16.0                             | 26.2       | 26.0       | 25.7       | 25.3       | 25.1       | 24.6       | 24.5       | 23.8       | 16.0                             |
| 18.0                             | 21.9       | 21.7       | 21.4       | 21.1       | 21.0       | 20.5       | 20.5       | 19.8       | 18.0                             |
| 20.0                             | 18.6       | 18.4       | 18.1       | 17.9       | 17.7       | 17.3       | 17.2       | 16.6       | 20.0                             |
| 22.0                             | 15.9       | 15.8       | 15.5       | 15.3       | 15.1       | 14.7       | 14.6       | 14.1       | 22.0                             |
| 24.0                             | 13.8       | 13.7       | 13.4       | 13.2       | 12.9       | 12.6       | 12.4       | 12.0       | 24.0                             |
| 26.0                             | 12.0       | 11.9       | 11.6       | 11.4       | 11.2       | 10.9       | 10.7       | 10.3       | 26.0                             |
| 28.0                             | 10.5       | 10.4       | 10.1       | 10.0       | 9.7        | 9.4        | 9.2        | 8.9        | 28.0                             |
| 30.0                             | 9.2        | 9.2        | 8.9        | 8.7        | 8.4        | 8.2        | 8.0        | 7.7        | 30.0                             |
| 32.0                             | 8.2        | 8.1        | 7.8        | 7.6        | 7.3        | 7.2        | 6.9        | 6.6        | 32.0                             |
| 34.0                             | 7.2        | 7.1        | 6.8        | 6.7        | 6.4        | 6.2        | 5.9        | 5.7        | 34.0                             |
| 36.0                             | 6.4        | 6.3        | 6.0        | 5.9        | 5.6        | 5.4        | 5.1        | 4.9        | 36.0                             |
| 38.0                             | 5.6        | 5.6        | 5.2        | 5.1        | 4.8        | 4.7        | 4.4        | 4.2        | 38.0                             |
| 40.0                             | 5.0        | 4.9        | 4.6        | 4.5        | 4.2        | 4.1        | 3.7        | 3.6        | 40.0                             |
| 42.0                             | 4.4        | 4.3        | 4.0        | 3.9        | 3.6        | 3.5        | 3.2        | 3.0        | 42.0                             |
| 44.0                             | 3.8        | 3.8        | 3.5        | 3.4        | 3.1        | 3.0        | 2.6        | 2.5        | 44.0                             |
| 46.0                             | 3.4        | 3.3        | 3.0        | 2.9        | 2.6        | 2.5        | 2.2        | 2.1        | 46.0                             |
| 48.0                             | 2.9        | 2.9        | 2.6        | 2.5        | 2.2        | 2.1        | 1.9 /47.5  | 1.9 /47.0  | 48.0                             |
| 50.0                             | 2.5        | 2.5        | 2.2        | 2.1        | 1.9 /49.5  | 1.9 /49.3  |            |            | 50.0                             |
| 52.0                             | 2.4 /50.9  | 2.3 /50.9  | 2.0 /50.9  | 2.0 /50.9  |            |            |            |            | 52.0                             |

• For notes about the table above, refer to page 27.



■ Main Boom with Crane Jib (With Crane Boom Extensions)



Unit: ton

| Boom length (m)    | 60        |           |           |           |           |           |           |           | Boom length (m)    |
|--------------------|-----------|-----------|-----------|-----------|-----------|-----------|-----------|-----------|--------------------|
| Jib length (m)     | 10        |           | 16        |           | 22        |           | 28        |           | Jib length (m)     |
| Offset angle (deg) | 10        | 30        | 10        | 30        | 10        | 30        | 10        | 30        | Offset angle (deg) |
| Radius (m)         |           |           |           |           |           |           |           |           | Radius (m)         |
| 12.9               | 24.0      | 24.0      | 24.0      | 24.0      | 24.0      | 24.0      | 24.0      | 24.0      | 12.9               |
| 14.0               | 24.0      | 24.0      | 24.0      | 24.0      | 24.0      | 24.0      | 24.0      | 24.0      | 14.0               |
| 16.0               | 24.0      | 24.0      | 24.0      | 24.0      | 24.0      | 24.0      | 23.9      | 23.2      | 16.0               |
| 18.0               | 21.9      | 21.7      | 21.4      | 21.1      | 20.9      | 20.5      | 20.3      | 19.7      | 18.0               |
| 20.0               | 18.5      | 18.4      | 18.1      | 17.8      | 17.7      | 17.2      | 17.2      | 16.6      | 20.0               |
| 22.0               | 15.9      | 15.7      | 15.5      | 15.2      | 15.0      | 14.7      | 14.5      | 14.0      | 22.0               |
| 24.0               | 13.7      | 13.6      | 13.3      | 13.1      | 12.9      | 12.6      | 12.4      | 12.0      | 24.0               |
| 26.0               | 12.0      | 11.8      | 11.6      | 11.4      | 11.1      | 10.8      | 10.7      | 10.3      | 26.0               |
| 28.0               | 10.5      | 10.4      | 10.1      | 9.9       | 9.6       | 9.4       | 9.2       | 8.8       | 28.0               |
| 30.0               | 9.2       | 9.1       | 8.8       | 8.6       | 8.4       | 8.1       | 7.9       | 7.6       | 30.0               |
| 32.0               | 8.1       | 8.0       | 7.7       | 7.6       | 7.3       | 7.1       | 6.8       | 6.6       | 32.0               |
| 34.0               | 7.1       | 7.0       | 6.7       | 6.6       | 6.3       | 6.1       | 5.9       | 5.6       | 34.0               |
| 36.0               | 6.3       | 6.2       | 5.9       | 5.8       | 5.5       | 5.3       | 5.0       | 4.8       | 36.0               |
| 38.0               | 5.5       | 5.5       | 5.1       | 5.0       | 4.7       | 4.6       | 4.3       | 4.1       | 38.0               |
| 40.0               | 4.9       | 4.8       | 4.5       | 4.4       | 4.1       | 4.0       | 3.7       | 3.5       | 40.0               |
| 42.0               | 4.3       | 4.2       | 3.9       | 3.8       | 3.5       | 3.4       | 3.1       | 2.9       | 42.0               |
| 44.0               | 3.7       | 3.7       | 3.4       | 3.3       | 3.0       | 2.9       | 2.5       | 2.4       | 44.0               |
| 46.0               | 3.2       | 3.2       | 2.9       | 2.8       | 2.5       | 2.4       | 2.1       | 2.0       | 46.0               |
| 48.0               | 2.8       | 2.8       | 2.4       | 2.4       | 2.0       | 2.0       | 1.9 /46.8 | 1.9 /46.5 | 48.0               |
| 50.0               | 2.4       | 2.4       | 2.0       | 2.0       | 1.9 /48.6 | 1.9 /48.5 |           |           | 50.0               |
| 52.0               | 2.0       | 2.0       | 1.9 /50.6 | 1.9 /50.5 |           |           |           |           | 52.0               |
| 54.0               | 1.9 /52.6 | 1.9 /52.6 |           |           |           |           |           |           | 54.0               |

Unit: ton

| Boom length (m)    | 63         |            |            |            |            |            |            |            | Boom length (m)    |
|--------------------|------------|------------|------------|------------|------------|------------|------------|------------|--------------------|
| Jib length (m)     | 10         |            | 16         |            | 22         |            | 28         |            | Jib length (m)     |
| Offset angle (deg) | 10         | 30         | 10         | 30         | 10         | 30         | 10         | 30         | Offset angle (deg) |
| Radius (m)         |            |            |            |            |            |            |            |            | Radius (m)         |
| 12.9               | 24.0 /13.5 | 24.0 /13.5 | 24.0 /13.5 | 24.0 /13.5 | 24.0 /13.5 | 24.0 /13.5 | 23.8 /13.5 | 23.6 /13.5 | 12.9               |
| 14.0               | 24.0       | 24.0       | 24.0       | 24.0       | 24.0       | 24.0       | 23.4       | 23.2       | 14.0               |
| 16.0               | 24.0       | 24.0       | 23.6       | 23.6       | 22.7       | 22.7       | 21.7       | 21.6       | 16.0               |
| 18.0               | 21.5       | 21.3       | 21.0       | 20.7       | 20.4       | 20.0       | 19.8       | 19.2       | 18.0               |
| 20.0               | 18.3       | 18.2       | 17.9       | 17.6       | 17.5       | 17.1       | 17.0       | 16.4       | 20.0               |
| 22.0               | 15.7       | 15.5       | 15.3       | 15.0       | 14.8       | 14.5       | 14.4       | 13.9       | 22.0               |
| 24.0               | 13.5       | 13.4       | 13.1       | 12.9       | 12.7       | 12.4       | 12.2       | 11.8       | 24.0               |
| 26.0               | 11.7       | 11.6       | 11.4       | 11.2       | 10.9       | 10.6       | 10.5       | 10.1       | 26.0               |
| 28.0               | 10.2       | 10.1       | 9.9        | 9.7        | 9.4        | 9.2        | 9.0        | 8.6        | 28.0               |
| 30.0               | 9.0        | 8.9        | 8.6        | 8.4        | 8.2        | 7.9        | 7.7        | 7.4        | 30.0               |
| 32.0               | 7.9        | 7.8        | 7.5        | 7.3        | 7.1        | 6.9        | 6.6        | 6.3        | 32.0               |
| 34.0               | 6.9        | 6.8        | 6.5        | 6.4        | 6.1        | 5.9        | 5.7        | 5.4        | 34.0               |
| 36.0               | 6.1        | 6.0        | 5.7        | 5.6        | 5.3        | 5.1        | 4.8        | 4.6        | 36.0               |
| 38.0               | 5.3        | 5.2        | 4.9        | 4.8        | 4.5        | 4.4        | 4.1        | 3.9        | 38.0               |
| 40.0               | 4.6        | 4.6        | 4.3        | 4.2        | 3.9        | 3.7        | 3.4        | 3.3        | 40.0               |
| 42.0               | 4.0        | 4.0        | 3.7        | 3.6        | 3.3        | 3.2        | 2.9        | 2.7        | 42.0               |
| 44.0               | 3.5        | 3.4        | 3.1        | 3.1        | 2.7        | 2.6        | 2.3        | 2.2        | 44.0               |
| 46.0               | 3.0        | 3.0        | 2.7        | 2.6        | 2.3        | 2.2        | 1.9 /45.6  | 1.9 /45.2  | 46.0               |
| 48.0               | 2.6        | 2.5        | 2.2        | 2.2        | 1.9 /47.6  | 1.9 /47.5  |            |            | 48.0               |
| 50.0               | 2.2        | 2.1        | 1.9 /49.5  | 1.9 /49.5  |            |            |            |            | 50.0               |
| 52.0               | 1.9 /51.5  | 1.9 /51.3  |            |            |            |            |            |            | 52.0               |

• For notes about the table above, refer to page 27.

■ Main Boom (Using Third Winch) (With Crane Boom Extensions)



| Working Radius (m) | Boom length (m) |             |             |             |             |             |             |             |            |             |            | Unit: ton          |
|--------------------|-----------------|-------------|-------------|-------------|-------------|-------------|-------------|-------------|------------|-------------|------------|--------------------|
|                    | 15              | 18          | 21          | 24          | 27          | 30          | 33          | 36          | 39         | 42          | 45         | Working Radius (m) |
| 4.6                | 120.0           |             |             |             |             |             |             |             |            |             |            | 4.6                |
| 5.0                | 120.4           | 108.0 / 5.2 |             |             |             |             |             |             |            |             |            | 5.0                |
| 5.5                | 109.9           | 108.0       | 84.0 / 5.7  |             |             |             |             |             |            |             |            | 5.5                |
| 6.0                | 101.1           | 100.9       | 84.0        | 72.0 / 6.3  | 72.0 / 6.8  |             |             |             |            |             |            | 6.0                |
| 7.0                | 87.0            | 86.8        | 84.0        | 72.0        | 72.0        | 60.0 / 7.4  | 48.0 / 7.9  |             |            |             |            | 7.0                |
| 8.0                | 76.3            | 76.1        | 75.9        | 72.0        | 72.0        | 60.0        | 48.0        | 48.0 / 8.5  |            |             |            | 8.0                |
| 9.0                | 64.8            | 64.8        | 64.8        | 64.8        | 64.8        | 60.0        | 48.0        | 48.0        | 48.0       | 36.0 / 9.6  |            | 9.0                |
| 10.0               | 55.4            | 55.5        | 55.4        | 55.4        | 55.4        | 55.4        | 48.0        | 48.0        | 48.0       | 36.0 / 10.1 |            | 10.0               |
| 12.0               | 42.7            | 42.8        | 42.7        | 42.7        | 42.6        | 42.6        | 42.5        | 42.4        | 42.3       | 36.0        | 36.0       | 12.0               |
| 14.0               | 34.5            | 34.5        | 34.5        | 34.5        | 34.4        | 34.4        | 34.2        | 34.1        | 34.0       | 34.0        | 33.8       | 14.0               |
| 16.0               | 32.9 / 14.5     | 28.8        | 28.7        | 28.7        | 28.6        | 28.6        | 28.5        | 28.3        | 28.2       | 28.2        | 28.0       | 16.0               |
| 18.0               |                 | 26.3 / 17.1 | 24.5        | 24.5        | 24.3        | 24.3        | 24.2        | 24.1        | 23.9       | 23.9        | 23.7       | 18.0               |
| 20.0               |                 |             | 21.6 / 19.7 | 21.2        | 21.1        | 21.0        | 20.9        | 20.8        | 20.6       | 20.6        | 20.4       | 20.0               |
| 22.0               |                 |             |             | 18.6        | 18.5        | 18.4        | 18.3        | 18.1        | 18.0       | 17.9        | 17.7       | 22.0               |
| 24.0               |                 |             |             | 18.3 / 22.3 | 16.4        | 16.3        | 16.2        | 16.0        | 15.9       | 15.8        | 15.6       | 24.0               |
| 26.0               |                 |             |             |             | 15.5 / 24.9 | 14.6        | 14.4        | 14.3        | 14.1       | 14.1        | 13.8       | 26.0               |
| 28.0               |                 |             |             |             |             | 13.4 / 27.5 | 13.0        | 12.8        | 12.7       | 12.6        | 12.4       | 28.0               |
| 30.0               |                 |             |             |             |             |             | 11.7        | 11.5        | 11.4       | 11.3        | 11.1       | 30.0               |
| 32.0               |                 |             |             |             |             |             | 11.7 / 30.1 | 10.5        | 10.3       | 10.2        | 10.0       | 32.0               |
| 34.0               |                 |             |             |             |             |             |             | 10.1 / 32.7 | 9.4        | 9.3         | 9.1        | 34.0               |
| 36.0               |                 |             |             |             |             |             |             |             | 8.8 / 35.3 | 8.4         | 8.2        | 36.0               |
| 38.0               |                 |             |             |             |             |             |             |             |            | 7.7 / 37.9  | 7.5        | 38.0               |
| 40.0               |                 |             |             |             |             |             |             |             |            |             | 6.8        | 40.0               |
| 42.0               |                 |             |             |             |             |             |             |             |            |             | 6.7 / 40.5 | 42.0               |

| Working Radius (m) | Boom length (m) |             |             |             |             |             | Unit: ton          |
|--------------------|-----------------|-------------|-------------|-------------|-------------|-------------|--------------------|
|                    | 48              | 51          | 54          | 57          | 60          | 63          | Working Radius (m) |
| 10.0               | 36.0 / 10.6     | 24.0 / 11.2 | 24.0 / 11.7 |             |             |             | 10.0               |
| 12.0               | 36.0            | 24.0        | 24.0        | 24.0 / 12.3 | 24.0 / 12.9 | 24.0 / 13.5 | 12.0               |
| 14.0               | 33.7            | 24.0        | 24.0        | 24.0        | 24.0        | 24.0        | 14.0               |
| 16.0               | 27.9            | 24.0        | 24.0        | 24.0        | 24.0        | 24.0        | 16.0               |
| 18.0               | 23.6            | 23.5        | 23.3        | 23.1        | 22.9        | 22.4        | 18.0               |
| 20.0               | 20.3            | 20.2        | 20.0        | 19.8        | 19.8        | 19.6        | 20.0               |
| 22.0               | 17.7            | 17.5        | 17.3        | 17.2        | 17.1        | 16.9        | 22.0               |
| 24.0               | 15.5            | 15.4        | 15.2        | 15.0        | 15.0        | 14.8        | 24.0               |
| 26.0               | 13.8            | 13.6        | 13.4        | 13.3        | 13.2        | 13.0        | 26.0               |
| 28.0               | 12.3            | 12.1        | 11.9        | 11.8        | 11.7        | 11.5        | 28.0               |
| 30.0               | 11.0            | 10.9        | 10.7        | 10.5        | 10.4        | 10.2        | 30.0               |
| 32.0               | 9.9             | 9.8         | 9.6         | 9.4         | 9.3         | 9.1         | 32.0               |
| 34.0               | 9.0             | 8.8         | 8.6         | 8.4         | 8.4         | 8.1         | 34.0               |
| 36.0               | 8.1             | 8.0         | 7.8         | 7.6         | 7.5         | 7.3         | 36.0               |
| 38.0               | 7.4             | 7.2         | 7.0         | 6.8         | 6.8         | 6.5         | 38.0               |
| 40.0               | 6.7             | 6.6         | 6.3         | 6.2         | 6.1         | 5.9         | 40.0               |
| 42.0               | 6.1             | 6.0         | 5.8         | 5.6         | 5.5         | 5.3         | 42.0               |
| 44.0               | 5.8 / 43.1      | 5.4         | 5.2         | 5.0         | 4.9         | 4.7         | 44.0               |
| 46.0               |                 | 5.0 / 45.7  | 4.7         | 4.6         | 4.5         | 4.2         | 46.0               |
| 48.0               |                 |             | 4.3         | 4.1         | 4.0         | 3.8         | 48.0               |
| 50.0               |                 |             | 4.2 / 48.3  | 3.7         | 3.6         | 3.4         | 50.0               |
| 52.0               |                 |             |             | 3.6 / 50.9  | 3.2         | 3.0         | 52.0               |
| 54.0               |                 |             |             |             | 3.0 / 53.2  | 2.7         | 54.0               |
| 56.0               |                 |             |             |             |             | 2.4 / 55.8  | 56.0               |

1. The rated loads are determined according to EN13000 rating with the machine on firm level ground.
2. The figures surrounded by bold lines are based on factors other than those which would cause a tipping condition.
3. To calculate the maximum load that can actually be lifted, deduct weight of all lifting accessories, such as boom hook and jib hook, from figures shown above.
4. Working radius is the horizontal distance from the slewing center to the center of gravity of a lifted load.
5. The counter weight is 49.6 ton.
6. Correlation between the number of reeved lines, maximum rated loads, hook weights are shown in the table below.
7. Cannot be used with 1 fall.

| Hook Capacity (t) | Hook Weight (t) | Maximum rated loads (t) |        |        |        |        |        |        |        |        |  |
|-------------------|-----------------|-------------------------|--------|--------|--------|--------|--------|--------|--------|--------|--|
|                   |                 | 10falls                 | 9falls | 8falls | 7falls | 6falls | 5falls | 4falls | 3falls | 2falls |  |
| 120               | 1.64            | 120                     | 108    | 96     | 84     | 72     | 60     | 48     | 36     | 24     |  |
| 80                | 1.35            |                         |        |        | 80     | 72     | 60     | 48     | 36     | 24     |  |
| 35                | 0.90            |                         |        |        |        |        |        |        | 35     | 24     |  |

■ Main Boom with Aux. Sheave (Using Third Winch) (With Crane Boom Extensions)



| Radius (m) | Boom length (m) |             |             |             |             |             |             |            |            |            |             | Unit: ton  |
|------------|-----------------|-------------|-------------|-------------|-------------|-------------|-------------|------------|------------|------------|-------------|------------|
|            | 15              | 18          | 21          | 24          | 27          | 30          | 33          | 36         | 39         | 42         | 45          | Radius (m) |
| 4.6        | 120.0           |             |             |             |             |             |             |            |            |            |             | 4.6        |
| 5.0        | 119.5           | 108.0 / 5.2 |             |             |             |             |             |            |            |            |             | 5.0        |
| 5.5        | 109.1           | 108.0       | 84.0 / 5.7  |             |             |             |             |            |            |            |             | 5.5        |
| 6.0        | 100.2           | 100.0       | 84.0        | 72.0 / 6.3  | 72.0 / 6.8  |             |             |            |            |            |             | 6.0        |
| 7.0        | 86.2            | 86.0        | 84.0        | 72.0        | 72.0        | 60.0 / 7.4  | 48.0 / 7.9  |            |            |            |             | 7.0        |
| 8.0        | 75.4            | 75.2        | 75.1        | 72.0        | 72.0        | 60.0        | 48.0        | 48.0 / 8.5 |            |            |             | 8.0        |
| 9.0        | 64.4            | 64.4        | 64.4        | 64.4        | 64.3        | 60.0        | 48.0        | 48.0       | 48.0       | 36.0 / 9.6 |             | 9.0        |
| 10.0       | 55.0            | 55.1        | 55.0        | 55.0        | 55.0        | 54.9        | 48.0        | 48.0       | 48.0       | 36.0       | 36.0 / 10.1 | 10.0       |
| 12.0       | 42.4            | 42.4        | 42.3        | 42.3        | 42.2        | 42.2        | 42.1        | 42.0       | 41.9       | 36.0       | 36.0        | 12.0       |
| 14.0       | 34.2            | 34.2        | 34.1        | 34.1        | 34.0        | 34.0        | 33.8        | 33.7       | 33.6       | 33.5       | 33.3        | 14.0       |
| 16.0       | 32.6 / 14.5     | 28.4        | 28.4        | 28.4        | 28.2        | 28.2        | 28.1        | 27.9       | 27.8       | 27.7       | 27.5        | 16.0       |
| 18.0       |                 | 26.0 / 17.1 | 24.1        | 24.1        | 24.0        | 23.9        | 23.8        | 23.7       | 23.5       | 23.4       | 23.2        | 18.0       |
| 20.0       |                 |             | 21.3 / 19.7 | 20.8        | 20.7        | 20.6        | 20.5        | 20.4       | 20.2       | 20.1       | 19.9        | 20.0       |
| 22.0       |                 |             |             | 18.3        | 18.1        | 18.0        | 17.9        | 17.8       | 17.6       | 17.5       | 17.3        | 22.0       |
| 24.0       |                 |             |             | 17.9 / 22.3 | 16.0        | 15.9        | 15.8        | 15.6       | 15.5       | 15.4       | 15.2        | 24.0       |
| 26.0       |                 |             |             |             | 15.2 / 24.9 | 14.2        | 14.1        | 13.9       | 13.7       | 13.7       | 13.4        | 26.0       |
| 28.0       |                 |             |             |             |             | 13.1 / 27.5 | 12.6        | 12.4       | 12.3       | 12.2       | 12.0        | 28.0       |
| 30.0       |                 |             |             |             |             |             | 11.4        | 11.2       | 11.0       | 10.9       | 10.7        | 30.0       |
| 32.0       |                 |             |             |             |             |             | 11.3 / 30.1 | 10.1       | 10.0       | 9.8        | 9.6         | 32.0       |
| 34.0       |                 |             |             |             |             |             |             | 9.8 / 32.7 | 9.0        | 8.9        | 8.7         | 34.0       |
| 36.0       |                 |             |             |             |             |             |             |            | 8.5 / 35.3 | 8.1        | 7.8         | 36.0       |
| 38.0       |                 |             |             |             |             |             |             |            |            | 7.4 / 37.9 | 7.1         | 38.0       |
| 40.0       |                 |             |             |             |             |             |             |            |            |            | 6.5         | 40.0       |
| 42.0       |                 |             |             |             |             |             |             |            |            |            | 6.3 / 40.5  | 42.0       |

| Radius (m) | Boom length (m) |             |             |             |             |             | Unit: ton  |
|------------|-----------------|-------------|-------------|-------------|-------------|-------------|------------|
|            | 48              | 51          | 54          | 57          | 60          | 63          | Radius (m) |
| 10.0       | 36.0 / 10.6     | 24.0 / 11.2 | 24.0 / 11.7 |             |             |             | 10.0       |
| 12.0       | 36.0            | 24.0        | 24.0        | 24.0 / 12.3 | 24.0 / 12.9 | 24.0 / 13.5 | 12.0       |
| 14.0       | 33.3            | 24.0        | 24.0        | 24.0        | 24.0        | 24.0        | 14.0       |
| 16.0       | 27.5            | 24.0        | 24.0        | 24.0        | 24.0        | 24.0        | 16.0       |
| 18.0       | 23.2            | 23.0        | 22.8        | 22.6        | 22.2        | 21.6        | 18.0       |
| 20.0       | 19.9            | 19.7        | 19.5        | 19.3        | 19.3        | 18.8        | 20.0       |
| 22.0       | 17.2            | 17.1        | 16.9        | 16.7        | 16.7        | 16.4        | 22.0       |
| 24.0       | 15.1            | 15.0        | 14.7        | 14.6        | 14.5        | 14.3        | 24.0       |
| 26.0       | 13.4            | 13.2        | 13.0        | 12.8        | 12.7        | 12.5        | 26.0       |
| 28.0       | 11.9            | 11.7        | 11.5        | 11.3        | 11.2        | 11.0        | 28.0       |
| 30.0       | 10.6            | 10.4        | 10.2        | 10.0        | 10.0        | 9.7         | 30.0       |
| 32.0       | 9.5             | 9.3         | 9.1         | 8.9         | 8.9         | 8.6         | 32.0       |
| 34.0       | 8.6             | 8.4         | 8.2         | 8.0         | 7.9         | 7.7         | 34.0       |
| 36.0       | 7.7             | 7.6         | 7.3         | 7.2         | 7.1         | 6.8         | 36.0       |
| 38.0       | 7.0             | 6.8         | 6.6         | 6.4         | 6.3         | 6.1         | 38.0       |
| 40.0       | 6.4             | 6.2         | 5.9         | 5.8         | 5.6         | 5.4         | 40.0       |
| 42.0       | 5.8             | 5.6         | 5.3         | 5.2         | 5.1         | 4.8         | 42.0       |
| 44.0       | 5.5 / 43.1      | 5.1         | 4.8         | 4.6         | 4.5         | 4.3         | 44.0       |
| 46.0       |                 | 4.7 / 45.7  | 4.3         | 4.2         | 4.0         | 3.8         | 46.0       |
| 48.0       |                 |             | 3.9         | 3.7         | 3.6         | 3.4         | 48.0       |
| 50.0       |                 |             | 3.9 / 48.3  | 3.3         | 3.2         | 3.0         | 50.0       |
| 52.0       |                 |             |             | 3.2 / 50.9  | 2.8         | 2.6         | 52.0       |
| 54.0       |                 |             |             |             | 2.6 / 53.2  | 2.2         | 54.0       |
| 56.0       |                 |             |             |             |             | 2.0 / 55.8  | 56.0       |

1. The rated loads are determined according to EN13000 rating with the machine on firm level ground.
2. The figures surrounded by bold lines are based on factors other than those which would cause a tipping condition.
3. To calculate the maximum load that can actually be lifted, deduct weight of all lifting accessories, such as boom hook and jib hook, from figures shown above.
4. Working radius is the horizontal distance from the slewing center to the center of gravity of a lifted load.
5. The counter weight is 49.6 ton.
6. Correlation between the number of reeved lines, maximum rated loads, hook weights are shown in the table below.
7. Cannot be used with 1 fall.

| Hook Capacity (t) | Hook Weight (t) | Maximum rated loads (t) |        |        |        |        |        |        |        |        |
|-------------------|-----------------|-------------------------|--------|--------|--------|--------|--------|--------|--------|--------|
|                   |                 | 10falls                 | 9falls | 8falls | 7falls | 6falls | 5falls | 4falls | 3falls | 2falls |
| 120               | 1.64            | 120                     | 108    | 96     | 84     | 72     | 60     | 48     | 36     | 24     |
| 80                | 1.35            |                         |        |        | 80     | 72     | 60     | 48     | 36     | 24     |
| 35                | 0.90            |                         |        |        |        |        |        | 35     | 24     |        |

■ Main Boom (With Tower Boom Extensions)



| Working Radius(m) | Boom length (m) |            |            |            |            |            |            |            |           |           |            | Unit: ton         |
|-------------------|-----------------|------------|------------|------------|------------|------------|------------|------------|-----------|-----------|------------|-------------------|
|                   | 15              | 18         | 21         | 24         | 27         | 30         | 33         | 36         | 39        | 42        | 45         | Working Radius(m) |
| 4.6               | 120.0           |            |            |            |            |            |            |            |           |           |            | 4.6               |
| 5.0               | 120.0           | 115.8 /5.2 |            |            |            |            |            |            |           |           |            | 5.0               |
| 5.5               | 109.9           | 109.7      | 105.9 /5.7 |            |            |            |            |            |           |           |            | 5.5               |
| 6.0               | 101.1           | 100.9      | 100.7      | 95.9 /6.3  | 84.0 /6.8  |            |            |            |           |           |            | 6.0               |
| 7.0               | 87.0            | 86.8       | 86.7       | 86.5       | 84.0       | 72.0 /7.4  | 72.0 /7.9  |            |           |           |            | 7.0               |
| 8.0               | 76.3            | 76.1       | 75.9       | 75.8       | 75.6       | 72.0       | 72.0       | 60.0 /8.5  |           |           |            | 8.0               |
| 9.0               | 64.8            | 64.8       | 64.8       | 64.8       | 64.7       | 64.7       | 63.6       | 60.0       | 60.0      | 48.0 /9.6 |            | 9.0               |
| 10.0              | 55.4            | 55.5       | 55.4       | 55.4       | 55.3       | 55.2       | 55.2       | 54.8       | 53.5      | 48.0      | 48.0 /10.1 | 10.0              |
| 12.0              | 42.7            | 42.8       | 42.7       | 42.7       | 42.6       | 42.5       | 42.4       | 42.3       | 42.1      | 42.1      | 41.4       | 12.0              |
| 14.0              | 34.5            | 34.5       | 34.5       | 34.4       | 34.3       | 34.2       | 34.2       | 34.0       | 33.8      | 33.8      | 33.6       | 14.0              |
| 16.0              | 32.9 /14.5      | 28.8       | 28.7       | 28.7       | 28.6       | 28.4       | 28.4       | 28.2       | 28.0      | 28.0      | 27.8       | 16.0              |
| 18.0              |                 | 26.3 /17.1 | 24.5       | 24.4       | 24.3       | 24.2       | 24.1       | 23.9       | 23.7      | 23.7      | 23.5       | 18.0              |
| 20.0              |                 |            | 21.6 /19.7 | 21.2       | 21.0       | 20.9       | 20.8       | 20.6       | 20.4      | 20.4      | 20.2       | 20.0              |
| 22.0              |                 |            |            | 18.6       | 18.4       | 18.3       | 18.2       | 18.0       | 17.8      | 17.8      | 17.5       | 22.0              |
| 24.0              |                 |            |            | 18.2 /22.3 | 16.3       | 16.2       | 16.1       | 15.9       | 15.7      | 15.6      | 15.4       | 24.0              |
| 26.0              |                 |            |            |            | 15.5 /24.9 | 14.4       | 14.3       | 14.1       | 13.9      | 13.9      | 13.6       | 26.0              |
| 28.0              |                 |            |            |            |            | 13.3 /27.5 | 12.9       | 12.7       | 12.4      | 12.4      | 12.2       | 28.0              |
| 30.0              |                 |            |            |            |            |            | 11.6       | 11.4       | 11.2      | 11.1      | 10.9       | 30.0              |
| 32.0              |                 |            |            |            |            |            | 11.6 /30.1 | 10.3       | 10.1      | 10.0      | 9.8        | 32.0              |
| 34.0              |                 |            |            |            |            |            |            | 10.0 /32.7 | 9.2       | 9.1       | 8.8        | 34.0              |
| 36.0              |                 |            |            |            |            |            |            |            | 8.6 /35.3 | 8.3       | 8.0        | 36.0              |
| 38.0              |                 |            |            |            |            |            |            |            |           | 7.6 /37.9 | 7.3        | 38.0              |
| 40.0              |                 |            |            |            |            |            |            |            |           |           | 6.6        | 40.0              |
| 42.0              |                 |            |            |            |            |            |            |            |           |           | 6.5 /40.5  | 42.0              |

| Working Radius(m) | Boom length (m) |            |            |            |            |            |           |            |            |            | Unit: ton         |
|-------------------|-----------------|------------|------------|------------|------------|------------|-----------|------------|------------|------------|-------------------|
|                   | 48              | 51         | 54         | 57         | 60         | 63         | 66        | 69         | 72         | 75         | Working Radius(m) |
| 10.0              | 36.0 /10.6      | 36.0 /11.2 | 36.0 /11.7 |            |            |            |           |            |            |            | 10.0              |
| 12.0              | 36.0            | 36.0       | 36.0       | 36.0 /12.3 | 24.0 /12.9 | 24.0 /13.5 |           |            |            |            | 12.0              |
| 14.0              | 33.6            | 33.1       | 32.4       | 31.7       | 24.0       | 24.0       | 24.0      | 24.0 /14.5 | 23.5 /15.1 | 21.0 /15.6 | 14.0              |
| 16.0              | 27.8            | 27.7       | 27.4       | 27.0       | 24.0       | 24.0       | 24.0      | 24.0       | 23.1       | 20.8       | 16.0              |
| 18.0              | 23.5            | 23.3       | 23.1       | 23.0       | 22.8       | 22.2       | 21.7      | 21.2       | 20.5       | 20.0       | 18.0              |
| 20.0              | 20.1            | 20.0       | 19.8       | 19.7       | 19.7       | 19.4       | 18.9      | 18.4       | 17.9       | 17.4       | 20.0              |
| 22.0              | 17.5            | 17.4       | 17.2       | 17.0       | 17.0       | 16.8       | 16.7      | 16.2       | 15.7       | 15.2       | 22.0              |
| 24.0              | 15.4            | 15.3       | 15.0       | 14.9       | 14.9       | 14.6       | 14.5      | 14.3       | 13.9       | 13.4       | 24.0              |
| 26.0              | 13.6            | 13.5       | 13.2       | 13.1       | 13.1       | 12.9       | 12.7      | 12.6       | 12.3       | 11.9       | 26.0              |
| 28.0              | 12.1            | 12.0       | 11.8       | 11.6       | 11.6       | 11.4       | 11.2      | 11.1       | 10.8       | 10.6       | 28.0              |
| 30.0              | 10.9            | 10.7       | 10.5       | 10.3       | 10.3       | 10.1       | 9.9       | 9.8        | 9.5        | 9.4        | 30.0              |
| 32.0              | 9.8             | 9.6        | 9.4        | 9.2        | 9.2        | 9.0        | 8.8       | 8.7        | 8.4        | 8.3        | 32.0              |
| 34.0              | 8.8             | 8.7        | 8.4        | 8.3        | 8.2        | 8.0        | 7.9       | 7.7        | 7.5        | 7.3        | 34.0              |
| 36.0              | 8.0             | 7.8        | 7.6        | 7.4        | 7.4        | 7.2        | 7.0       | 6.8        | 6.6        | 6.4        | 36.0              |
| 38.0              | 7.2             | 7.1        | 6.8        | 6.7        | 6.6        | 6.4        | 6.3       | 6.1        | 5.9        | 5.7        | 38.0              |
| 40.0              | 6.6             | 6.4        | 6.2        | 6.0        | 6.0        | 5.7        | 5.6       | 5.4        | 5.2        | 5.0        | 40.0              |
| 42.0              | 6.0             | 5.8        | 5.6        | 5.4        | 5.4        | 5.1        | 5.0       | 4.8        | 4.6        | 4.4        | 42.0              |
| 44.0              | 5.7 /43.1       | 5.3        | 5.0        | 4.9        | 4.8        | 4.6        | 4.4       | 4.3        | 4.0        | 3.9        | 44.0              |
| 46.0              |                 | 4.9 /45.7  | 4.6        | 4.4        | 4.3        | 4.1        | 3.9       | 3.8        | 3.5        | 3.4        | 46.0              |
| 48.0              |                 |            | 4.1        | 4.0        | 3.9        | 3.6        | 3.5       | 3.3        | 3.1        | 2.9        | 48.0              |
| 50.0              |                 |            | 4.1 /48.3  | 3.6        | 3.5        | 3.2        | 3.1       | 2.9        | 2.7        | 2.5        | 50.0              |
| 52.0              |                 |            |            | 3.4 /50.9  | 3.1        | 2.9        | 2.7       | 2.5        | 2.3        | 2.1        | 52.0              |
| 54.0              |                 |            |            |            | 2.9 /53.2  | 2.5        | 2.4       | 2.2        | 2.0        | 1.8        | 54.0              |
| 56.0              |                 |            |            |            |            | 2.2 /55.8  | 2.0       | 1.9        | 1.6        | 1.5        | 56.0              |
| 58.0              |                 |            |            |            |            |            | 1.7       | 1.6        | 1.4 /57.3  | 1.4 /56.6  | 58.0              |
| 60.0              |                 |            |            |            |            |            | 1.7 /58.4 | 1.4 /59.3  |            |            | 60.0              |

1. The rated loads are determined according to EN13000 rating with the machine on firm level ground.
2. The figures surrounded by bold lines are based on factors other than those which would cause a tipping condition.
3. To calculate the maximum load that can actually be lifted, deduct weight of all lifting accessories, such as boom hook and jib hook, from figures shown above.
4. Working radius is the horizontal distance from the slewing center to the center of gravity of a lifted load.
5. The counter weight is 49.6 ton.
6. Correlation between the number of reeved lines, maximum rated loads, hook weights are shown in the table below.

| Hook Capacity (t) | Hook Weight (t) | Maximum rated loads (t) |        |        |        |        |        |        |        |        |       |
|-------------------|-----------------|-------------------------|--------|--------|--------|--------|--------|--------|--------|--------|-------|
|                   |                 | 10falls                 | 9falls | 8falls | 7falls | 6falls | 5falls | 4falls | 3falls | 2falls | 1fall |
| 120               | 1.64            | 120                     | 108    | 96     | 84     | 72     | 60     | 48     | 36     | 24     |       |
| 80                | 1.35            |                         |        |        | 80     | 72     | 60     | 48     | 36     | 24     |       |
| 35                | 0.90            |                         |        |        |        |        |        |        | 35     | 24     |       |
| 12                | 0.51            |                         |        |        |        |        |        |        |        |        | 12    |

■ Aux. Sheave (With Tower Boom Extensions)



| Radius (m) | Boom length (m) |           |           |           |           |           |           |          |           |           |           | Unit: ton  |
|------------|-----------------|-----------|-----------|-----------|-----------|-----------|-----------|----------|-----------|-----------|-----------|------------|
|            | 15              | 18        | 21        | 24        | 27        | 30        | 33        | 36       | 39        | 42        | 45        | Radius (m) |
| 5.8        | 12.0            |           |           |           |           |           |           |          |           |           |           | 5.8        |
| 6.0        | 12.0            | 12.0/6.3  | 12.0/6.9  |           |           |           |           |          |           |           |           | 6.0        |
| 7.0        | 12.0            | 12.0      | 12.0      | 12.0/7.4  |           |           |           |          |           |           |           | 7.0        |
| 8.0        | 12.0            | 12.0      | 12.0      | 12.0      | 12.0      | 12.0/8.5  |           |          |           |           |           | 8.0        |
| 9.0        | 12.0            | 12.0      | 12.0      | 12.0      | 12.0      | 12.0      | 12.0      | 12.0/9.6 |           |           |           | 9.0        |
| 10.0       | 12.0            | 12.0      | 12.0      | 12.0      | 12.0      | 12.0      | 12.0      | 12.0     | 12.0/10.1 | 12.0/10.7 | 12.0/11.2 | 10.0       |
| 12.0       | 12.0            | 12.0      | 12.0      | 12.0      | 12.0      | 12.0      | 12.0      | 12.0     | 12.0      | 12.0      | 12.0      | 12.0       |
| 14.0       | 12.0            | 12.0      | 12.0      | 12.0      | 12.0      | 12.0      | 12.0      | 12.0     | 12.0      | 12.0      | 12.0      | 14.0       |
| 16.0       | 12.0            | 12.0      | 12.0      | 12.0      | 12.0      | 12.0      | 12.0      | 12.0     | 12.0      | 12.0      | 12.0      | 16.0       |
| 18.0       | 12.0/16.1       | 12.0      | 12.0      | 12.0      | 12.0      | 12.0      | 12.0      | 12.0     | 12.0      | 12.0      | 12.0      | 18.0       |
| 20.0       |                 | 12.0/18.7 | 12.0      | 12.0      | 12.0      | 12.0      | 12.0      | 12.0     | 12.0      | 12.0      | 12.0      | 20.0       |
| 22.0       |                 |           | 12.0/21.3 | 12.0      | 12.0      | 12.0      | 12.0      | 12.0     | 12.0      | 12.0      | 12.0      | 22.0       |
| 24.0       |                 |           |           | 12.0/23.9 | 12.0      | 12.0      | 12.0      | 12.0     | 12.0      | 12.0      | 12.0      | 24.0       |
| 26.0       |                 |           |           |           | 12.0      | 12.0      | 12.0      | 12.0     | 12.0      | 12.0      | 12.0      | 26.0       |
| 28.0       |                 |           |           |           | 12.0/26.5 | 12.0      | 12.0      | 12.0     | 12.0      | 12.0      | 12.0      | 28.0       |
| 30.0       |                 |           |           |           |           | 12.0/29.1 | 11.4      | 11.2     | 11.0      | 10.9      | 10.7      | 30.0       |
| 32.0       |                 |           |           |           |           |           | 10.5/31.7 | 10.1     | 9.9       | 9.8       | 9.6       | 32.0       |
| 34.0       |                 |           |           |           |           |           |           | 9.2      | 9.0       | 8.9       | 8.6       | 34.0       |
| 36.0       |                 |           |           |           |           |           |           | 9.1/34.3 | 8.1       | 8.0       | 7.8       | 36.0       |
| 38.0       |                 |           |           |           |           |           |           |          | 7.8/36.9  | 7.3       | 7.0       | 38.0       |
| 40.0       |                 |           |           |           |           |           |           |          |           | 6.8/39.5  | 6.4       | 40.0       |
| 42.0       |                 |           |           |           |           |           |           |          |           |           | 5.8       | 42.0       |
| 44.0       |                 |           |           |           |           |           |           |          |           |           | 5.8/42.1  | 44.0       |

| Radius (m) | Boom length (m) |           |           |           |          |           |           |           |           | Unit: ton  |
|------------|-----------------|-----------|-----------|-----------|----------|-----------|-----------|-----------|-----------|------------|
|            | 48              | 51        | 54        | 57        | 60       | 63        | 66        | 69        | 72        | Radius (m) |
| 10.0       | 12.0/11.8       |           |           |           |          |           |           |           |           | 10.0       |
| 12.0       | 12.0            | 12.0/12.3 | 12.0/12.9 | 12.0/13.4 |          |           |           |           |           | 12.0       |
| 14.0       | 12.0            | 12.0      | 12.0      | 12.0      | 12.0     | 12.0/14.5 | 12.0/15.1 | 12.0/15.6 |           | 14.0       |
| 16.0       | 12.0            | 12.0      | 12.0      | 12.0      | 12.0     | 12.0      | 12.0      | 12.0      | 12.0/16.2 | 16.0       |
| 18.0       | 12.0            | 12.0      | 12.0      | 12.0      | 12.0     | 12.0      | 12.0      | 12.0      | 12.0      | 18.0       |
| 20.0       | 12.0            | 12.0      | 12.0      | 12.0      | 12.0     | 12.0      | 12.0      | 12.0      | 12.0      | 20.0       |
| 22.0       | 12.0            | 12.0      | 12.0      | 12.0      | 12.0     | 12.0      | 12.0      | 12.0      | 12.0      | 22.0       |
| 24.0       | 12.0            | 12.0      | 12.0      | 12.0      | 12.0     | 12.0      | 12.0      | 12.0      | 12.0      | 24.0       |
| 26.0       | 12.0            | 12.0      | 12.0      | 12.0      | 12.0     | 12.0      | 12.0      | 12.0      | 11.7      | 26.0       |
| 28.0       | 11.9            | 11.8      | 11.6      | 11.4      | 11.4     | 11.2      | 11.0      | 10.8      | 10.4      | 28.0       |
| 30.0       | 10.6            | 10.5      | 10.3      | 10.1      | 10.1     | 9.9       | 9.7       | 9.5       | 9.2       | 30.0       |
| 32.0       | 9.5             | 9.4       | 9.2       | 9.0       | 9.0      | 8.7       | 8.6       | 8.4       | 8.2       | 32.0       |
| 34.0       | 8.6             | 8.4       | 8.2       | 8.0       | 8.0      | 7.8       | 7.6       | 7.4       | 7.2       | 34.0       |
| 36.0       | 7.7             | 7.6       | 7.3       | 7.2       | 7.1      | 6.9       | 6.7       | 6.6       | 6.3       | 36.0       |
| 38.0       | 7.0             | 6.8       | 6.6       | 6.4       | 6.4      | 6.1       | 6.0       | 5.8       | 5.6       | 38.0       |
| 40.0       | 6.3             | 6.2       | 5.9       | 5.8       | 5.7      | 5.5       | 5.3       | 5.1       | 4.9       | 40.0       |
| 42.0       | 5.7             | 5.6       | 5.3       | 5.2       | 5.1      | 4.9       | 4.7       | 4.5       | 4.3       | 42.0       |
| 44.0       | 5.2             | 5.0       | 4.8       | 4.6       | 4.6      | 4.3       | 4.2       | 4.0       | 3.7       | 44.0       |
| 46.0       | 5.0/44.7        | 4.5       | 4.3       | 4.1       | 4.1      | 3.8       | 3.7       | 3.5       | 3.2       | 46.0       |
| 48.0       |                 | 4.3/47.3  | 3.8       | 3.7       | 3.6      | 3.4       | 3.2       | 3.0       | 2.8       | 48.0       |
| 50.0       |                 |           | 3.5/49.8  | 3.3       | 3.2      | 2.9       | 2.8       | 2.6       | 2.4       | 50.0       |
| 52.0       |                 |           |           | 2.9       | 2.8      | 2.6       | 2.4       | 2.2       | 2.0       | 52.0       |
| 54.0       |                 |           |           | 2.8/52.4  | 2.5      | 2.2       | 2.1       | 1.9       | 1.9/52.5  | 54.0       |
| 56.0       |                 |           |           |           | 2.3/55.0 | 1.9       | 1.9/55.0  |           |           | 56.0       |

1. The rated loads are determined according to EN13000 rating with the machine on firm level ground.
2. The figures surrounded by bold lines are based on factors other than those which would cause a tipping condition.
3. To calculate the maximum load that can actually be lifted, deduct weight of all lifting accessories, such as boom hook and jib hook, from figures shown above.

| Hook Capacity (t) | Hook Weight (t) |
|-------------------|-----------------|
| 120               | 1.64            |
| 80                | 1.35            |
| 35                | 0.90            |
| 12                | 0.51            |

4. Working radius is the horizontal distance from the slewing center to the center of gravity of a lifted load.
5. The counter weight is 49.6 ton.

■ Main Boom with Aux. Sheave (With Tower Boom Extensions)



| Radius (m) | Boom length (m) |             |             |             |             |             |             |            |            |            |             | Unit: ton  |
|------------|-----------------|-------------|-------------|-------------|-------------|-------------|-------------|------------|------------|------------|-------------|------------|
|            | 15              | 18          | 21          | 24          | 27          | 30          | 33          | 36         | 39         | 42         | 45          | Radius (m) |
| 4.6        | 120.0           |             |             |             |             |             |             |            |            |            |             | 4.6        |
| 5.0        | 119.5           | 114.9 / 5.2 |             |             |             |             |             |            |            |            |             | 5.0        |
| 5.5        | 109.1           | 108.9       | 105.0 / 5.7 |             |             |             |             |            |            |            |             | 5.5        |
| 6.0        | 100.2           | 100.0       | 99.9        | 95.0 / 6.3  | 84.0 / 6.8  |             |             |            |            |            |             | 6.0        |
| 7.0        | 86.2            | 86.0        | 85.8        | 85.6        | 84.0        | 72.0 / 7.4  | 72.0 / 7.9  |            |            |            |             | 7.0        |
| 8.0        | 75.4            | 75.2        | 75.1        | 74.9        | 74.7        | 72.0        | 72.0        | 60.0 / 8.5 |            |            |             | 8.0        |
| 9.0        | 64.4            | 64.4        | 64.4        | 64.4        | 64.3        | 64.2        | 63.0        | 60.0       | 60.0       | 48.0 / 9.6 |             | 9.0        |
| 10.0       | 55.0            | 55.1        | 55.0        | 55.0        | 54.9        | 54.8        | 54.8        | 54.1       | 52.9       | 48.0       | 48.0 / 10.1 | 10.0       |
| 12.0       | 42.4            | 42.4        | 42.3        | 42.3        | 42.2        | 42.1        | 42.0        | 41.9       | 41.7       | 41.6       | 40.7        | 12.0       |
| 14.0       | 34.2            | 34.2        | 34.1        | 34.1        | 33.9        | 33.8        | 33.7        | 33.6       | 33.4       | 33.4       | 33.1        | 14.0       |
| 16.0       | 32.6 / 14.5     | 28.4        | 28.4        | 28.3        | 28.2        | 28.0        | 28.0        | 27.8       | 27.6       | 27.6       | 27.3        | 16.0       |
| 18.0       |                 | 26.0 / 17.1 | 24.1        | 24.1        | 23.9        | 23.8        | 23.7        | 23.5       | 23.3       | 23.3       | 23.0        | 18.0       |
| 20.0       |                 |             | 21.3 / 19.7 | 20.8        | 20.6        | 20.5        | 20.4        | 20.2       | 20.0       | 20.0       | 19.7        | 20.0       |
| 22.0       |                 |             |             | 18.2        | 18.1        | 17.9        | 17.8        | 17.6       | 17.4       | 17.4       | 17.1        | 22.0       |
| 24.0       |                 |             |             | 17.9 / 22.3 | 16.0        | 15.8        | 15.7        | 15.5       | 15.3       | 15.2       | 15.0        | 24.0       |
| 26.0       |                 |             |             |             | 15.1 / 24.9 | 14.1        | 14.0        | 13.8       | 13.5       | 13.5       | 13.2        | 26.0       |
| 28.0       |                 |             |             |             |             | 12.9 / 27.5 | 12.5        | 12.3       | 12.1       | 12.0       | 11.7        | 28.0       |
| 30.0       |                 |             |             |             |             |             | 11.3        | 11.1       | 10.8       | 10.7       | 10.5        | 30.0       |
| 32.0       |                 |             |             |             |             |             | 11.2 / 30.1 | 10.0       | 9.7        | 9.7        | 9.4         | 32.0       |
| 34.0       |                 |             |             |             |             |             |             | 9.6 / 32.7 | 8.8        | 8.7        | 8.5         | 34.0       |
| 36.0       |                 |             |             |             |             |             |             |            | 8.3 / 35.3 | 7.9        | 7.6         | 36.0       |
| 38.0       |                 |             |             |             |             |             |             |            |            | 7.2 / 37.9 | 6.9         | 38.0       |
| 40.0       |                 |             |             |             |             |             |             |            |            |            | 6.3         | 40.0       |
| 42.0       |                 |             |             |             |             |             |             |            |            |            | 6.1 / 40.5  | 42.0       |

| Radius (m) | Boom length (m) |             |             |             |             |             |      |             |             | Unit: ton  |
|------------|-----------------|-------------|-------------|-------------|-------------|-------------|------|-------------|-------------|------------|
|            | 48              | 51          | 54          | 57          | 60          | 63          | 66   | 69          | 72          | Radius (m) |
| 10.0       | 36.0 / 10.6     | 36.0 / 11.2 | 36.0 / 11.7 |             |             |             |      |             |             | 10.0       |
| 12.0       | 36.0            | 36.0        | 36.0        | 36.0 / 12.3 | 24.0 / 12.9 | 24.0 / 13.5 |      |             |             | 12.0       |
| 14.0       | 33.1            | 32.4        | 31.7        | 31.0        | 24.0        | 24.0        | 24.0 | 24.0 / 14.5 | 22.4 / 15.1 | 14.0       |
| 16.0       | 27.3            | 27.2        | 26.9        | 26.3        | 24.0        | 24.0        | 24.0 | 23.8        | 22.0        | 16.0       |
| 18.0       | 23.0            | 22.9        | 22.6        | 22.5        | 22.1        | 21.5        | 21.0 | 20.4        | 19.8        | 18.0       |
| 20.0       | 19.7            | 19.6        | 19.3        | 19.2        | 19.2        | 18.7        | 18.2 | 17.7        | 17.1        | 20.0       |
| 22.0       | 17.1            | 16.9        | 16.7        | 16.6        | 16.5        | 16.3        | 15.9 | 15.5        | 14.9        | 22.0       |
| 24.0       | 15.0            | 14.8        | 14.6        | 14.4        | 14.4        | 14.2        | 14.0 | 13.6        | 13.1        | 24.0       |
| 26.0       | 13.2            | 13.0        | 12.8        | 12.7        | 12.6        | 12.4        | 12.2 | 12.1        | 11.6        | 26.0       |
| 28.0       | 11.7            | 11.6        | 11.3        | 11.2        | 11.1        | 10.9        | 10.7 | 10.6        | 10.3        | 28.0       |
| 30.0       | 10.4            | 10.3        | 10.0        | 9.9         | 9.8         | 9.6         | 9.4  | 9.3         | 9.0         | 30.0       |
| 32.0       | 9.3             | 9.2         | 9.0         | 8.8         | 8.7         | 8.5         | 8.3  | 8.2         | 7.9         | 32.0       |
| 34.0       | 8.4             | 8.3         | 8.0         | 7.8         | 7.8         | 7.5         | 7.4  | 7.2         | 7.0         | 34.0       |
| 36.0       | 7.6             | 7.4         | 7.2         | 7.0         | 6.9         | 6.7         | 6.5  | 6.4         | 6.1         | 36.0       |
| 38.0       | 6.8             | 6.7         | 6.4         | 6.3         | 6.2         | 5.9         | 5.8  | 5.6         | 5.4         | 38.0       |
| 40.0       | 6.2             | 6.0         | 5.8         | 5.6         | 5.5         | 5.3         | 5.1  | 4.9         | 4.7         | 40.0       |
| 42.0       | 5.6             | 5.4         | 5.2         | 5.0         | 4.9         | 4.7         | 4.5  | 4.3         | 4.1         | 42.0       |
| 44.0       | 5.3 / 43.1      | 4.9         | 4.6         | 4.5         | 4.4         | 4.1         | 4.0  | 3.8         | 3.6         | 44.0       |
| 46.0       |                 | 4.5 / 45.7  | 4.2         | 4.0         | 3.9         | 3.7         | 3.5  | 3.3         | 3.1         | 46.0       |
| 48.0       |                 |             | 3.7         | 3.6         | 3.5         | 3.2         | 3.0  | 2.9         | 2.6         | 48.0       |
| 50.0       |                 |             | 3.7 / 48.3  | 3.2         | 3.1         | 2.8         | 2.6  | 2.5         | 2.2         | 50.0       |
| 52.0       |                 |             |             | 3.0 / 50.9  | 2.7         | 2.4         | 2.3  | 2.1         | 1.9 / 51.5  | 52.0       |
| 54.0       |                 |             |             |             | 2.5 / 53.2  | 2.1         | 1.9  | 1.9 / 53.3  |             | 54.0       |
| 56.0       |                 |             |             |             |             | 1.9 / 55.2  |      |             |             | 56.0       |

1. The rated loads are determined according to EN13000 rating with the machine on firm level ground.
2. The figures surrounded by bold lines are based on factors other than those which would cause a tipping condition.
3. To calculate the maximum load that can actually be lifted, deduct weight of all lifting accessories, such as boom hook and jib hook, from figures shown above.
4. Working radius is the horizontal distance from the slewing center to the center of gravity of a lifted load.
5. The counter weight is 49.6 ton.
6. Correlation between the number of reeved lines, maximum rated loads, hook weights are shown in the table below.

| Hook Capacity (t) | Hook Weight (t) | Maximum rated loads (t) |        |        |        |        |        |        |        |        |       |
|-------------------|-----------------|-------------------------|--------|--------|--------|--------|--------|--------|--------|--------|-------|
|                   |                 | 10falls                 | 9falls | 8falls | 7falls | 6falls | 5falls | 4falls | 3falls | 2falls | 1fall |
| 120               | 1.64            | 120                     | 108    | 96     | 84     | 72     | 60     | 48     | 36     | 24     |       |
| 80                | 1.35            |                         |        |        | 80     | 72     | 60     | 48     | 36     | 24     |       |
| 35                | 0.90            |                         |        |        |        |        |        | 35     | 24     |        |       |
| 12                | 0.51            |                         |        |        |        |        |        |        |        |        | 12    |

■ Crane Jib (With Tower Boom Extensions)



|                    |             |             |             |            |            |            |            |            | Unit: ton          |
|--------------------|-------------|-------------|-------------|------------|------------|------------|------------|------------|--------------------|
| Boom length (m)    | 24          |             |             |            |            |            |            |            | Boom length (m)    |
| Jib length (m)     | 10          |             | 16          |            | 22         |            | 28         |            | Jib length (m)     |
| Offset angle (deg) | 10          | 30          | 10          | 30         | 10         | 30         | 10         | 30         | Offset angle (deg) |
| Radius (m)         |             |             |             |            |            |            |            |            | Radius (m)         |
| 9.7                | 12.0        |             |             |            |            |            |            |            | 9.7                |
| 10.0               | 12.0        |             | 12.0 / 11.8 |            |            |            |            |            | 10.0               |
| 12.0               | 12.0        | 12.0 / 12.6 | 12.0        |            | 8.8 / 13.9 |            |            |            | 12.0               |
| 14.0               | 12.0        | 12.0        | 12.0        |            | 8.8        |            |            |            | 14.0               |
| 16.0               | 12.0        | 12.0        | 12.0        | 9.0 / 16.5 | 8.8        |            | 5.4        |            | 16.0               |
| 18.0               | 12.0        | 12.0        | 12.0        | 9.0        | 8.6        |            | 5.1        |            | 18.0               |
| 20.0               | 12.0        | 12.0        | 12.0        | 9.0        | 8.3        | 6.4 / 20.4 | 4.8        |            | 20.0               |
| 22.0               | 12.0        | 11.7        | 12.0        | 9.0        | 7.9        | 6.4        | 4.5        |            | 22.0               |
| 24.0               | 12.0        | 11.2        | 12.0        | 9.0        | 7.6        | 6.4        | 4.3        | 3.4 / 24.3 | 24.0               |
| 26.0               | 12.0        | 10.8        | 12.0        | 8.7        | 7.3        | 6.4        | 4.1        | 3.4        | 26.0               |
| 28.0               | 12.0        | 10.4        | 11.9        | 8.3        | 7.0        | 6.4        | 3.9        | 3.3        | 28.0               |
| 30.0               | 12.0        | 10.2        | 11.1        | 8.0        | 6.8        | 6.2        | 3.7        | 3.1        | 30.0               |
| 32.0               | 11.4        | 10.0        | 10.4        | 7.7        | 6.6        | 5.9        | 3.6        | 3.0        | 32.0               |
| 34.0               | 11.3 / 32.2 | 9.9 / 32.8  | 9.8         | 7.5        | 6.4        | 5.7        | 3.4        | 2.9        | 34.0               |
| 36.0               |             |             | 9.3         | 7.3        | 6.2        | 5.4        | 3.3        | 2.9        | 36.0               |
| 38.0               |             |             | 8.9 / 37.9  | 7.2        | 6.1        | 5.3        | 3.2        | 2.8        | 38.0               |
| 40.0               |             |             |             | 7.2 / 38.8 | 5.9        | 5.1        | 3.1        | 2.7        | 40.0               |
| 42.0               |             |             |             |            | 5.8        | 5.0        | 3.0        | 2.7        | 42.0               |
| 44.0               |             |             |             |            | 5.8 / 43.5 | 4.9        | 2.9        | 2.6        | 44.0               |
| 46.0               |             |             |             |            |            | 4.9 / 44.8 | 2.8        | 2.6        | 46.0               |
| 48.0               |             |             |             |            |            |            | 2.7        | 2.6        | 48.0               |
| 50.0               |             |             |             |            |            |            | 2.7 / 49.2 | 2.6        | 50.0               |
| 52.0               |             |             |             |            |            |            |            | 2.6 / 50.8 | 52.0               |

|                    |             |             |             |            |            |            |            |            | Unit: ton          |
|--------------------|-------------|-------------|-------------|------------|------------|------------|------------|------------|--------------------|
| Boom length (m)    | 27          |             |             |            |            |            |            |            | Boom length (m)    |
| Jib length (m)     | 10          |             | 16          |            | 22         |            | 28         |            | Jib length (m)     |
| Offset angle (deg) | 10          | 30          | 10          | 30         | 10         | 30         | 10         | 30         | Offset angle (deg) |
| Radius (m)         |             |             |             |            |            |            |            |            | Radius (m)         |
| 10.0               | 12.0 / 10.2 |             |             |            |            |            |            |            | 10.0               |
| 12.0               | 12.0        | 12.0 / 13.2 | 12.0 / 12.3 |            |            |            |            |            | 12.0               |
| 14.0               | 12.0        | 12.0        | 12.0        |            | 8.8 / 14.4 |            |            |            | 14.0               |
| 16.0               | 12.0        | 12.0        | 12.0        | 9.0 / 17.1 | 8.8        |            | 5.4 / 16.5 |            | 16.0               |
| 18.0               | 12.0        | 12.0        | 12.0        | 9.0        | 8.8        |            | 5.2        |            | 18.0               |
| 20.0               | 12.0        | 12.0        | 12.0        | 9.0        | 8.4        | 6.4 / 21.0 | 4.9        |            | 20.0               |
| 22.0               | 12.0        | 12.0        | 12.0        | 9.0        | 8.1        | 6.4        | 4.6        |            | 22.0               |
| 24.0               | 12.0        | 11.5        | 12.0        | 9.0        | 7.8        | 6.4        | 4.4        | 3.4 / 24.9 | 24.0               |
| 26.0               | 12.0        | 11.1        | 12.0        | 8.9        | 7.5        | 6.4        | 4.2        | 3.4        | 26.0               |
| 28.0               | 12.0        | 10.7        | 12.0        | 8.5        | 7.2        | 6.4        | 4.0        | 3.3        | 28.0               |
| 30.0               | 12.0        | 10.4        | 11.8        | 8.2        | 7.0        | 6.3        | 3.8        | 3.2        | 30.0               |
| 32.0               | 11.2        | 10.2        | 11.1        | 7.9        | 6.7        | 6.1        | 3.7        | 3.1        | 32.0               |
| 34.0               | 10.2        | 10.0        | 10.4        | 7.7        | 6.5        | 5.8        | 3.5        | 3.0        | 34.0               |
| 36.0               | 9.9 / 34.8  | 9.7 / 35.4  | 9.7         | 7.5        | 6.4        | 5.6        | 3.4        | 2.9        | 36.0               |
| 38.0               |             |             | 9.0         | 7.3        | 6.2        | 5.4        | 3.3        | 2.8        | 38.0               |
| 40.0               |             |             | 8.3         | 7.2        | 6.1        | 5.2        | 3.2        | 2.8        | 40.0               |
| 42.0               |             |             | 8.1 / 40.5  | 7.2 / 41.4 | 5.9        | 5.1        | 3.1        | 2.7        | 42.0               |
| 44.0               |             |             |             |            | 5.9        | 5.0        | 3.0        | 2.7        | 44.0               |
| 46.0               |             |             |             |            | 5.8        | 4.9        | 2.9        | 2.6        | 46.0               |
| 48.0               |             |             |             |            | 5.8 / 46.1 | 4.8 / 47.4 | 2.8        | 2.6        | 48.0               |
| 50.0               |             |             |             |            |            |            | 2.8        | 2.6        | 50.0               |
| 52.0               |             |             |             |            |            |            | 2.7 / 51.7 | 2.6        | 52.0               |
| 54.0               |             |             |             |            |            |            |            | 2.6 / 53.4 | 54.0               |

1. The rated loads are determined according to EN13000 rating with the machine on firm level ground.
2. The figures surrounded by bold lines are based on factors other than those which would cause a tipping condition.
3. To calculate the maximum load that can actually be lifted, deduct weight of all lifting accessories, such as boom hook and jib hook, from figures shown above.

| Hook Capacity (t) | Hook Weight (t) |
|-------------------|-----------------|
| 120               | 1.64            |
| 80                | 1.35            |
| 35                | 0.90            |
| 12                | 0.51            |

4. Working radius is the horizontal distance from the slewing center to the center of gravity of a lifted load.
5. The counter weight is 49.6 ton.

■ Crane Jib (With Tower Boom Extensions)



|                                  |           |            |            |           |           |           |           |           | Unit: ton                        |
|----------------------------------|-----------|------------|------------|-----------|-----------|-----------|-----------|-----------|----------------------------------|
| Boom length (m)                  | 30        |            |            |           |           |           |           |           | Boom length (m)                  |
| Jib length (m)                   | 10        |            | 16         |           | 22        |           | 28        |           | Jib length (m)                   |
| Offset angle (deg)<br>Radius (m) | 10        | 30         | 10         | 30        | 10        | 30        | 10        | 30        | Offset angle (deg)<br>Radius (m) |
| 10.7                             | 12.0      |            |            |           |           |           |           |           | 10.7                             |
| 12.0                             | 12.0      | 12.0 /13.7 | 12.0 /12.8 |           |           |           |           |           | 12.0                             |
| 14.0                             | 12.0      | 12.0       | 12.0       |           | 8.8 /15.0 |           |           |           | 14.0                             |
| 16.0                             | 12.0      | 12.0       | 12.0       | 9.0 /17.6 | 8.8       |           | 5.4 /17.1 |           | 16.0                             |
| 18.0                             | 12.0      | 12.0       | 12.0       | 9.0       | 8.8       |           | 5.2       |           | 18.0                             |
| 20.0                             | 12.0      | 12.0       | 12.0       | 9.0       | 8.6       | 6.4 /21.5 | 5.0       |           | 20.0                             |
| 22.0                             | 12.0      | 12.0       | 12.0       | 9.0       | 8.2       | 6.4       | 4.7       |           | 22.0                             |
| 24.0                             | 12.0      | 11.8       | 12.0       | 9.0       | 7.9       | 6.4       | 4.5       | 3.4 /25.4 | 24.0                             |
| 26.0                             | 12.0      | 11.4       | 12.0       | 9.0       | 7.6       | 6.4       | 4.3       | 3.4       | 26.0                             |
| 28.0                             | 12.0      | 11.0       | 12.0       | 8.7       | 7.4       | 6.4       | 4.1       | 3.3       | 28.0                             |
| 30.0                             | 12.0      | 10.7       | 12.0       | 8.4       | 7.1       | 6.4       | 3.9       | 3.2       | 30.0                             |
| 32.0                             | 11.0      | 10.4       | 11.4       | 8.1       | 6.9       | 6.2       | 3.8       | 3.1       | 32.0                             |
| 34.0                             | 10.0      | 10.1       | 10.4       | 7.9       | 6.7       | 6.0       | 3.6       | 3.0       | 34.0                             |
| 36.0                             | 9.2       | 9.3        | 9.5        | 7.7       | 6.5       | 5.8       | 3.5       | 2.9       | 36.0                             |
| 38.0                             | 8.6 /37.4 | 8.5        | 8.8        | 7.5       | 6.3       | 5.6       | 3.4       | 2.9       | 38.0                             |
| 40.0                             |           |            | 8.1        | 7.3       | 6.2       | 5.4       | 3.2       | 2.8       | 40.0                             |
| 42.0                             |           |            | 7.5        | 7.2       | 6.1       | 5.2       | 3.1       | 2.7       | 42.0                             |
| 44.0                             |           |            | 7.2 /43.1  | 7.0       | 6.0       | 5.1       | 3.0       | 2.7       | 44.0                             |
| 46.0                             |           |            |            |           | 5.9       | 5.0       | 3.0       | 2.7       | 46.0                             |
| 48.0                             |           |            |            |           | 5.8       | 4.9       | 2.9       | 2.6       | 48.0                             |
| 50.0                             |           |            |            |           | 5.8 /48.7 | 4.8       | 2.8       | 2.6       | 50.0                             |
| 52.0                             |           |            |            |           |           |           | 2.8       | 2.6       | 52.0                             |
| 54.0                             |           |            |            |           |           |           | 2.7       | 2.6       | 54.0                             |
| 56.0                             |           |            |            |           |           |           | 2.7 /54.3 | 2.6       | 56.0                             |

|                                  |            |            |            |           |           |           |           |           | Unit: ton                        |
|----------------------------------|------------|------------|------------|-----------|-----------|-----------|-----------|-----------|----------------------------------|
| Boom length (m)                  | 33         |            |            |           |           |           |           |           | Boom length (m)                  |
| Jib length (m)                   | 10         |            | 16         |           | 22        |           | 28        |           | Jib length (m)                   |
| Offset angle (deg)<br>Radius (m) | 10         | 30         | 10         | 30        | 10        | 30        | 10        | 30        | Offset angle (deg)<br>Radius (m) |
| 10.7                             | 12.0 /11.3 |            |            |           |           |           |           |           | 10.7                             |
| 12.0                             | 12.0       |            | 12.0 /13.4 |           |           |           |           |           | 12.0                             |
| 14.0                             | 12.0       | 12.0 /14.3 | 12.0       |           | 8.8 /15.5 |           |           |           | 14.0                             |
| 16.0                             | 12.0       | 12.0       | 12.0       |           | 8.8       |           | 5.4 /17.6 |           | 16.0                             |
| 18.0                             | 12.0       | 12.0       | 12.0       | 9.0 /18.2 | 8.8       |           | 5.3       |           | 18.0                             |
| 20.0                             | 12.0       | 12.0       | 12.0       | 9.0       | 8.7       |           | 5.0       |           | 20.0                             |
| 22.0                             | 12.0       | 12.0       | 12.0       | 9.0       | 8.4       | 6.4 /22.1 | 4.8       |           | 22.0                             |
| 24.0                             | 12.0       | 12.0       | 12.0       | 9.0       | 8.1       | 6.4       | 4.6       |           | 24.0                             |
| 26.0                             | 12.0       | 11.7       | 12.0       | 9.0       | 7.8       | 6.4       | 4.4       | 3.4       | 26.0                             |
| 28.0                             | 12.0       | 11.3       | 12.0       | 8.9       | 7.5       | 6.4       | 4.2       | 3.4       | 28.0                             |
| 30.0                             | 11.9       | 11.0       | 12.0       | 8.6       | 7.3       | 6.4       | 4.0       | 3.2       | 30.0                             |
| 32.0                             | 10.8       | 10.7       | 11.2       | 8.3       | 7.0       | 6.4       | 3.9       | 3.1       | 32.0                             |
| 34.0                             | 9.9        | 10.0       | 10.2       | 8.1       | 6.8       | 6.1       | 3.7       | 3.1       | 34.0                             |
| 36.0                             | 9.0        | 9.2        | 9.4        | 7.9       | 6.7       | 5.9       | 3.6       | 3.0       | 36.0                             |
| 38.0                             | 8.3        | 8.4        | 8.6        | 7.7       | 6.5       | 5.7       | 3.5       | 2.9       | 38.0                             |
| 40.0                             | 7.6        | 7.7        | 7.9        | 7.5       | 6.3       | 5.5       | 3.3       | 2.8       | 40.0                             |
| 42.0                             |            | 7.5 /40.6  | 7.3        | 7.3       | 6.2       | 5.3       | 3.2       | 2.8       | 42.0                             |
| 44.0                             |            |            | 6.8        | 6.9       | 6.1       | 5.2       | 3.1       | 2.7       | 44.0                             |
| 46.0                             |            |            | 6.3 /45.7  | 6.4       | 6.0       | 5.1       | 3.0       | 2.7       | 46.0                             |
| 48.0                             |            |            |            | 6.2 /46.6 | 5.9       | 5.0       | 3.0       | 2.7       | 48.0                             |
| 50.0                             |            |            |            |           | 5.6       | 4.9       | 2.9       | 2.6       | 50.0                             |
| 52.0                             |            |            |            |           | 5.4 /51.3 | 4.8       | 2.8       | 2.6       | 52.0                             |
| 54.0                             |            |            |            |           |           | 4.8 /52.6 | 2.8       | 2.6       | 54.0                             |
| 56.0                             |            |            |            |           |           |           | 2.7       | 2.6       | 56.0                             |
| 58.0                             |            |            |            |           |           |           | 2.7 /56.9 | 2.6       | 58.0                             |
| 60.0                             |            |            |            |           |           |           |           | 2.6 /58.6 | 60.0                             |

• For notes about the table above, refer to page 39.



■ Crane Jib (With Tower Boom Extensions)



|                                  |          |           |           |          |          |          |          |          | Unit: ton                        |
|----------------------------------|----------|-----------|-----------|----------|----------|----------|----------|----------|----------------------------------|
| Boom length (m)                  | 36       |           |           |          |          |          |          |          | Boom length (m)                  |
| Jib length (m)                   | 10       |           | 16        |          | 22       |          | 28       |          | Jib length (m)                   |
| Offset angle (deg)<br>Radius (m) | 10       | 30        | 10        | 30       | 10       | 30       | 10       | 30       | Offset angle (deg)<br>Radius (m) |
| 11.8                             | 12.0     |           |           |          |          |          |          |          | 11.8                             |
| 12.0                             | 12.0     |           | 12.0/13.9 |          |          |          |          |          | 12.0                             |
| 14.0                             | 12.0     | 12.0/14.8 | 12.0      |          |          |          |          |          | 14.0                             |
| 16.0                             | 12.0     | 12.0      | 12.0      |          | 8.8      |          |          |          | 16.0                             |
| 18.0                             | 12.0     | 12.0      | 12.0      | 9.0/18.7 | 8.8      |          | 5.4/18.1 |          | 18.0                             |
| 20.0                             | 12.0     | 12.0      | 12.0      | 9.0      | 8.8      |          | 5.1      |          | 20.0                             |
| 22.0                             | 12.0     | 12.0      | 12.0      | 9.0      | 8.5      | 6.4/22.6 | 4.9      |          | 22.0                             |
| 24.0                             | 12.0     | 12.0      | 12.0      | 9.0      | 8.2      | 6.4      | 4.7      |          | 24.0                             |
| 26.0                             | 12.0     | 11.9      | 12.0      | 9.0      | 7.9      | 6.4      | 4.5      | 3.4/26.5 | 26.0                             |
| 28.0                             | 12.0     | 11.5      | 12.0      | 9.0      | 7.7      | 6.4      | 4.3      | 3.4      | 28.0                             |
| 30.0                             | 11.7     | 11.2      | 12.0      | 8.8      | 7.4      | 6.4      | 4.1      | 3.3      | 30.0                             |
| 32.0                             | 10.6     | 10.9      | 11.0      | 8.5      | 7.2      | 6.4      | 4.0      | 3.2      | 32.0                             |
| 34.0                             | 9.6      | 9.9       | 10.0      | 8.3      | 7.0      | 6.2      | 3.8      | 3.1      | 34.0                             |
| 36.0                             | 8.8      | 9.0       | 9.2       | 8.0      | 6.8      | 6.0      | 3.7      | 3.0      | 36.0                             |
| 38.0                             | 8.0      | 8.2       | 8.4       | 7.8      | 6.6      | 5.8      | 3.5      | 2.9      | 38.0                             |
| 40.0                             | 7.4      | 7.5       | 7.7       | 7.6      | 6.5      | 5.6      | 3.4      | 2.9      | 40.0                             |
| 42.0                             | 6.8      | 6.8       | 7.1       | 7.3      | 6.3      | 5.5      | 3.3      | 2.8      | 42.0                             |
| 44.0                             | 6.6/42.6 | 6.5/43.2  | 6.5       | 6.7      | 6.2      | 5.3      | 3.2      | 2.8      | 44.0                             |
| 46.0                             |          |           | 6.0       | 6.2      | 6.1      | 5.2      | 3.1      | 2.7      | 46.0                             |
| 48.0                             |          |           | 5.6       | 5.7      | 5.8      | 5.1      | 3.0      | 2.7      | 48.0                             |
| 50.0                             |          |           | 5.5/48.3  | 5.4/49.2 | 5.4      | 5.0      | 3.0      | 2.6      | 50.0                             |
| 52.0                             |          |           |           |          | 5.0      | 4.9      | 2.9      | 2.6      | 52.0                             |
| 54.0                             |          |           |           |          | 4.7/53.9 | 4.8      | 2.8      | 2.6      | 54.0                             |
| 56.0                             |          |           |           |          |          | 4.6/55.2 | 2.8      | 2.6      | 56.0                             |
| 58.0                             |          |           |           |          |          |          | 2.7      | 2.6      | 58.0                             |
| 60.0                             |          |           |           |          |          |          | 2.7/59.5 | 2.6      | 60.0                             |
| 62.0                             |          |           |           |          |          |          |          | 2.6/61.2 | 62.0                             |

|                                  |           |           |           |          |          |          |          |          | Unit: ton                        |
|----------------------------------|-----------|-----------|-----------|----------|----------|----------|----------|----------|----------------------------------|
| Boom length (m)                  | 39        |           |           |          |          |          |          |          | Boom length (m)                  |
| Jib length (m)                   | 10        |           | 16        |          | 22       |          | 28       |          | Jib length (m)                   |
| Offset angle (deg)<br>Radius (m) | 10        | 30        | 10        | 30       | 10       | 30       | 10       | 30       | Offset angle (deg)<br>Radius (m) |
| 12.0                             | 12.0/12.4 |           |           |          |          |          |          |          | 12.0                             |
| 14.0                             | 12.0      | 12.0/15.4 | 12.0/14.5 |          |          |          |          |          | 14.0                             |
| 16.0                             | 12.0      | 12.0      | 12.0      |          | 8.8/16.6 |          |          |          | 16.0                             |
| 18.0                             | 12.0      | 12.0      | 12.0      | 9.0/19.3 | 8.8      |          | 5.3/18.7 |          | 18.0                             |
| 20.0                             | 12.0      | 12.0      | 12.0      | 9.0      | 8.8      |          | 5.2      |          | 20.0                             |
| 22.0                             | 12.0      | 12.0      | 12.0      | 9.0      | 8.6      | 6.4/23.2 | 5.0      |          | 22.0                             |
| 24.0                             | 12.0      | 12.0      | 12.0      | 9.0      | 8.3      | 6.4      | 4.7      |          | 24.0                             |
| 26.0                             | 12.0      | 12.0      | 12.0      | 9.0      | 8.0      | 6.4      | 4.5      | 3.4/27.1 | 26.0                             |
| 28.0                             | 12.0      | 11.8      | 12.0      | 9.0      | 7.8      | 6.4      | 4.4      | 3.4      | 28.0                             |
| 30.0                             | 11.5      | 11.4      | 11.9      | 8.9      | 7.6      | 6.4      | 4.2      | 3.3      | 30.0                             |
| 32.0                             | 10.4      | 10.7      | 10.8      | 8.7      | 7.3      | 6.4      | 4.0      | 3.2      | 32.0                             |
| 34.0                             | 9.4       | 9.7       | 9.8       | 8.4      | 7.1      | 6.4      | 3.9      | 3.1      | 34.0                             |
| 36.0                             | 8.5       | 8.8       | 8.9       | 8.2      | 6.9      | 6.1      | 3.8      | 3.0      | 36.0                             |
| 38.0                             | 7.8       | 8.0       | 8.2       | 8.0      | 6.8      | 5.9      | 3.6      | 3.0      | 38.0                             |
| 40.0                             | 7.1       | 7.3       | 7.5       | 7.8      | 6.6      | 5.8      | 3.5      | 2.9      | 40.0                             |
| 42.0                             | 6.5       | 6.6       | 6.9       | 7.1      | 6.4      | 5.6      | 3.4      | 2.8      | 42.0                             |
| 44.0                             | 6.0       | 6.1       | 6.3       | 6.5      | 6.3      | 5.4      | 3.3      | 2.8      | 44.0                             |
| 46.0                             | 5.7/45.2  | 5.6/45.8  | 5.8       | 6.0      | 6.1      | 5.3      | 3.2      | 2.7      | 46.0                             |
| 48.0                             |           |           | 5.3       | 5.5      | 5.6      | 5.2      | 3.1      | 2.7      | 48.0                             |
| 50.0                             |           |           | 4.9       | 5.0      | 5.2      | 5.1      | 3.0      | 2.7      | 50.0                             |
| 52.0                             |           |           | 4.8/50.9  | 4.7/51.8 | 4.8      | 5.0      | 3.0      | 2.6      | 52.0                             |
| 54.0                             |           |           |           |          | 4.4      | 4.6      | 2.9      | 2.6      | 54.0                             |
| 56.0                             |           |           |           |          | 4.1      | 4.2      | 2.8      | 2.6      | 56.0                             |
| 58.0                             |           |           |           |          | 4.0/56.5 | 3.9/57.8 | 2.8      | 2.6      | 58.0                             |
| 60.0                             |           |           |           |          |          |          | 2.7      | 2.6      | 60.0                             |
| 62.0                             |           |           |           |          |          |          | 2.7      | 2.6      | 62.0                             |
| 64.0                             |           |           |           |          |          |          | 2.7/62.1 | 2.6/63.8 | 64.0                             |

• For notes about the table above, refer to page 39.

■ Crane Jib (With Tower Boom Extensions)



|                                  |            |             |             |            |            |            |            |            | Unit: ton                        |
|----------------------------------|------------|-------------|-------------|------------|------------|------------|------------|------------|----------------------------------|
| Boom length (m)                  | 42         |             |             |            |            |            |            |            | Boom length (m)                  |
| Jib length (m)                   | 10         |             | 16          |            | 22         |            | 28         |            | Jib length (m)                   |
| Offset angle (deg)<br>Radius (m) | 10         | 30          | 10          | 30         | 10         | 30         | 10         | 30         | Offset angle (deg)<br>Radius (m) |
| 12.9                             | 12.0       |             |             |            |            |            |            |            | 12.9                             |
| 14.0                             | 12.0       | 12.0 / 15.9 | 12.0 / 15.0 |            |            |            |            |            | 14.0                             |
| 16.0                             | 12.0       | 12.0        | 12.0        |            | 8.8 / 17.1 |            |            |            | 16.0                             |
| 18.0                             | 12.0       | 12.0        | 12.0        | 9.0 / 19.8 | 8.8        |            | 5.3 / 19.2 |            | 18.0                             |
| 20.0                             | 12.0       | 12.0        | 12.0        | 9.0        | 8.8        |            | 5.2        |            | 20.0                             |
| 22.0                             | 12.0       | 12.0        | 12.0        | 9.0        | 8.7        | 6.4 / 23.7 | 5.0        |            | 22.0                             |
| 24.0                             | 12.0       | 12.0        | 12.0        | 9.0        | 8.4        | 6.4        | 4.8        |            | 24.0                             |
| 26.0                             | 12.0       | 12.0        | 12.0        | 9.0        | 8.2        | 6.4        | 4.6        | 3.4 / 27.6 | 26.0                             |
| 28.0                             | 12.0       | 12.0        | 12.0        | 9.0        | 7.9        | 6.4        | 4.4        | 3.4        | 28.0                             |
| 30.0                             | 11.4       | 11.6        | 11.8        | 9.0        | 7.7        | 6.4        | 4.3        | 3.3        | 30.0                             |
| 32.0                             | 10.3       | 10.6        | 10.7        | 8.8        | 7.5        | 6.4        | 4.1        | 3.2        | 32.0                             |
| 34.0                             | 9.3        | 9.6         | 9.7         | 8.6        | 7.3        | 6.4        | 4.0        | 3.1        | 34.0                             |
| 36.0                             | 8.4        | 8.7         | 8.8         | 8.3        | 7.1        | 6.3        | 3.8        | 3.1        | 36.0                             |
| 38.0                             | 7.7        | 7.9         | 8.0         | 8.1        | 6.9        | 6.1        | 3.7        | 3.0        | 38.0                             |
| 40.0                             | 7.0        | 7.2         | 7.4         | 7.7        | 6.7        | 5.9        | 3.6        | 2.9        | 40.0                             |
| 42.0                             | 6.4        | 6.6         | 6.7         | 7.1        | 6.6        | 5.7        | 3.5        | 2.9        | 42.0                             |
| 44.0                             | 5.9        | 6.0         | 6.2         | 6.5        | 6.4        | 5.5        | 3.4        | 2.8        | 44.0                             |
| 46.0                             | 5.4        | 5.5         | 5.7         | 5.9        | 5.9        | 5.4        | 3.3        | 2.8        | 46.0                             |
| 48.0                             | 5.0 / 47.8 | 5.0         | 5.2         | 5.4        | 5.5        | 5.3        | 3.2        | 2.7        | 48.0                             |
| 50.0                             |            | 4.9 / 48.4  | 4.8         | 5.0        | 5.1        | 5.2        | 3.1        | 2.7        | 50.0                             |
| 52.0                             |            |             | 4.4         | 4.5        | 4.7        | 4.9        | 3.0        | 2.6        | 52.0                             |
| 54.0                             |            |             | 4.2 / 53.5  | 4.2        | 4.3        | 4.5        | 2.9        | 2.6        | 54.0                             |
| 56.0                             |            |             |             | 4.1 / 54.4 | 4.0        | 4.2        | 2.9        | 2.6        | 56.0                             |
| 58.0                             |            |             |             |            | 3.7        | 3.8        | 2.8        | 2.6        | 58.0                             |
| 60.0                             |            |             |             |            | 3.5 / 59.1 | 3.5        | 2.8        | 2.6        | 60.0                             |
| 62.0                             |            |             |             |            |            | 3.4 / 60.4 | 2.7        | 2.6        | 62.0                             |
| 64.0                             |            |             |             |            |            |            | 2.7        | 2.6        | 64.0                             |
| 66.0                             |            |             |             |            |            |            | 2.7 / 64.7 | 2.6        | 66.0                             |
| 68.0                             |            |             |             |            |            |            |            | 2.6 / 66.4 | 68.0                             |

|                                  |             |             |             |            |            |            |            |            | Unit: ton                        |
|----------------------------------|-------------|-------------|-------------|------------|------------|------------|------------|------------|----------------------------------|
| Boom length (m)                  | 45          |             |             |            |            |            |            |            | Boom length (m)                  |
| Jib length (m)                   | 10          |             | 16          |            | 22         |            | 28         |            | Jib length (m)                   |
| Offset angle (deg)<br>Radius (m) | 10          | 30          | 10          | 30         | 10         | 30         | 10         | 30         | Offset angle (deg)<br>Radius (m) |
| 12.9                             | 12.0 / 13.5 |             |             |            |            |            |            |            | 12.9                             |
| 14.0                             | 12.0        |             | 12.0 / 15.6 |            |            |            |            |            | 14.0                             |
| 16.0                             | 12.0        | 12.0 / 16.5 | 12.0        |            | 8.8 / 17.7 |            |            |            | 16.0                             |
| 18.0                             | 12.0        | 12.0        | 12.0        |            | 8.8        |            | 5.3 / 19.8 |            | 18.0                             |
| 20.0                             | 12.0        | 12.0        | 12.0        | 9.0 / 20.4 | 8.8        |            | 5.3        |            | 20.0                             |
| 22.0                             | 12.0        | 12.0        | 12.0        | 9.0        | 8.8        |            | 5.1        |            | 22.0                             |
| 24.0                             | 12.0        | 12.0        | 12.0        | 9.0        | 8.5        | 6.4 / 24.3 | 4.9        |            | 24.0                             |
| 26.0                             | 12.0        | 12.0        | 12.0        | 9.0        | 8.3        | 6.4        | 4.7        |            | 26.0                             |
| 28.0                             | 12.0        | 12.0        | 12.0        | 9.0        | 8.0        | 6.4        | 4.5        | 3.4 / 28.2 | 28.0                             |
| 30.0                             | 11.1        | 11.6        | 11.6        | 9.0        | 7.8        | 6.4        | 4.3        | 3.3        | 30.0                             |
| 32.0                             | 10.0        | 10.4        | 10.4        | 9.0        | 7.6        | 6.4        | 4.2        | 3.3        | 32.0                             |
| 34.0                             | 9.1         | 9.4         | 9.4         | 8.7        | 7.4        | 6.4        | 4.0        | 3.2        | 34.0                             |
| 36.0                             | 8.2         | 8.5         | 8.6         | 8.5        | 7.2        | 6.4        | 3.9        | 3.1        | 36.0                             |
| 38.0                             | 7.4         | 7.7         | 7.8         | 8.2        | 7.0        | 6.2        | 3.8        | 3.0        | 38.0                             |
| 40.0                             | 6.8         | 7.0         | 7.1         | 7.5        | 6.8        | 6.0        | 3.7        | 3.0        | 40.0                             |
| 42.0                             | 6.1         | 6.3         | 6.5         | 6.8        | 6.7        | 5.8        | 3.5        | 2.9        | 42.0                             |
| 44.0                             | 5.6         | 5.7         | 5.9         | 6.2        | 6.2        | 5.7        | 3.4        | 2.8        | 44.0                             |
| 46.0                             | 5.1         | 5.2         | 5.4         | 5.7        | 5.7        | 5.5        | 3.3        | 2.8        | 46.0                             |
| 48.0                             | 4.7         | 4.7         | 5.0         | 5.2        | 5.2        | 5.4        | 3.3        | 2.7        | 48.0                             |
| 50.0                             | 4.2         | 4.3         | 4.6         | 4.8        | 4.8        | 5.2        | 3.2        | 2.7        | 50.0                             |
| 52.0                             | 4.2 / 50.4  | 4.1 / 51.0  | 4.2         | 4.3        | 4.4        | 4.7        | 3.1        | 2.7        | 52.0                             |
| 54.0                             |             |             | 3.8         | 3.9        | 4.1        | 4.3        | 3.0        | 2.6        | 54.0                             |
| 56.0                             |             |             | 3.5         | 3.6        | 3.7        | 4.0        | 2.9        | 2.6        | 56.0                             |
| 58.0                             |             |             | 3.5 / 56.1  | 3.4 / 57.0 | 3.4        | 3.6        | 2.9        | 2.6        | 58.0                             |
| 60.0                             |             |             |             |            | 3.1        | 3.3        | 2.8        | 2.6        | 60.0                             |
| 62.0                             |             |             |             |            | 2.9 / 61.7 | 3.0        | 2.8        | 2.6        | 62.0                             |
| 64.0                             |             |             |             |            |            | 2.8 / 63.0 | 2.7        | 2.6        | 64.0                             |
| 66.0                             |             |             |             |            |            |            | 2.6        | 2.6        | 66.0                             |
| 68.0                             |             |             |             |            |            |            | 2.4 / 67.3 | 2.5        | 68.0                             |
| 70.0                             |             |             |             |            |            |            |            | 2.3 / 69.0 | 70.0                             |

• For notes about the table above, refer to page 39.

■ Crane Jib (With Tower Boom Extensions)



|                                  |          |           |           |          |          |          |          |          | Unit: ton                        |
|----------------------------------|----------|-----------|-----------|----------|----------|----------|----------|----------|----------------------------------|
| Boom length (m)                  | 48       |           |           |          |          |          |          |          | Boom length (m)                  |
| Jib length (m)                   | 10       |           | 16        |          | 22       |          | 28       |          | Jib length (m)                   |
| Offset angle (deg)<br>Radius (m) | 10       | 30        | 10        | 30       | 10       | 30       | 10       | 30       | Offset angle (deg)<br>Radius (m) |
| 14.0                             | 12.0     |           |           |          |          |          |          |          | 14.0                             |
| 16.0                             | 12.0     | 12.0/17.0 | 12.0/16.1 |          |          |          |          |          | 16.0                             |
| 18.0                             | 12.0     | 12.0      | 12.0      |          | 8.8/18.2 |          |          |          | 18.0                             |
| 20.0                             | 12.0     | 12.0      | 12.0      | 9.0/20.9 | 8.8      |          | 5.3/20.3 |          | 20.0                             |
| 22.0                             | 12.0     | 12.0      | 12.0      | 9.0      | 8.8      |          | 5.1      |          | 22.0                             |
| 24.0                             | 12.0     | 12.0      | 12.0      | 9.0      | 8.6      | 6.4/24.8 | 4.9      |          | 24.0                             |
| 26.0                             | 12.0     | 12.0      | 12.0      | 9.0      | 8.4      | 6.4      | 4.8      |          | 26.0                             |
| 28.0                             | 12.0     | 12.0      | 12.0      | 9.0      | 8.1      | 6.4      | 4.6      | 3.4/28.7 | 28.0                             |
| 30.0                             | 11.1     | 11.5      | 11.5      | 9.0      | 7.9      | 6.4      | 4.4      | 3.4      | 30.0                             |
| 32.0                             | 9.9      | 10.3      | 10.3      | 9.0      | 7.7      | 6.4      | 4.3      | 3.3      | 32.0                             |
| 34.0                             | 9.0      | 9.3       | 9.3       | 8.8      | 7.5      | 6.4      | 4.1      | 3.2      | 34.0                             |
| 36.0                             | 8.1      | 8.4       | 8.5       | 8.6      | 7.3      | 6.4      | 4.0      | 3.1      | 36.0                             |
| 38.0                             | 7.3      | 7.6       | 7.7       | 8.2      | 7.1      | 6.3      | 3.9      | 3.1      | 38.0                             |
| 40.0                             | 6.7      | 6.9       | 7.0       | 7.4      | 7.0      | 6.1      | 3.7      | 3.0      | 40.0                             |
| 42.0                             | 6.1      | 6.3       | 6.4       | 6.8      | 6.7      | 5.9      | 3.6      | 2.9      | 42.0                             |
| 44.0                             | 5.5      | 5.7       | 5.8       | 6.2      | 6.1      | 5.8      | 3.5      | 2.9      | 44.0                             |
| 46.0                             | 5.0      | 5.1       | 5.3       | 5.6      | 5.6      | 5.6      | 3.4      | 2.8      | 46.0                             |
| 48.0                             | 4.5      | 4.7       | 4.9       | 5.1      | 5.1      | 5.5      | 3.3      | 2.8      | 48.0                             |
| 50.0                             | 4.1      | 4.2       | 4.4       | 4.7      | 4.7      | 5.1      | 3.2      | 2.7      | 50.0                             |
| 52.0                             | 3.8      | 3.8       | 4.1       | 4.3      | 4.3      | 4.6      | 3.2      | 2.7      | 52.0                             |
| 54.0                             | 3.6/53.0 | 3.5/53.6  | 3.7       | 3.9      | 3.9      | 4.3      | 3.1      | 2.7      | 54.0                             |
| 56.0                             |          |           | 3.4       | 3.5      | 3.6      | 3.9      | 3.0      | 2.6      | 56.0                             |
| 58.0                             |          |           | 3.1       | 3.2      | 3.3      | 3.5      | 2.9      | 2.6      | 58.0                             |
| 60.0                             |          |           | 3.0/58.7  | 2.9/59.6 | 3.0      | 3.2      | 2.9      | 2.6      | 60.0                             |
| 62.0                             |          |           |           |          | 2.7      | 2.9      | 2.8      | 2.6      | 62.0                             |
| 64.0                             |          |           |           |          | 2.5      | 2.6      | 2.7      | 2.6      | 64.0                             |
| 66.0                             |          |           |           |          | 2.5/64.3 | 2.4/65.6 | 2.4      | 2.6      | 66.0                             |
| 68.0                             |          |           |           |          |          |          | 2.2      | 2.4      | 68.0                             |
| 70.0                             |          |           |           |          |          |          | 2.0/69.9 | 2.2      | 70.0                             |
| 72.0                             |          |           |           |          |          |          |          | 2.0/71.6 | 72.0                             |

|                                  |           |           |           |          |          |          |          |          | Unit: ton                        |
|----------------------------------|-----------|-----------|-----------|----------|----------|----------|----------|----------|----------------------------------|
| Boom length (m)                  | 51        |           |           |          |          |          |          |          | Boom length (m)                  |
| Jib length (m)                   | 10        |           | 16        |          | 22       |          | 28       |          | Jib length (m)                   |
| Offset angle (deg)<br>Radius (m) | 10        | 30        | 10        | 30       | 10       | 30       | 10       | 30       | Offset angle (deg)<br>Radius (m) |
| 14.0                             | 12.0/14.6 |           |           |          |          |          |          |          | 14.0                             |
| 16.0                             | 12.0      | 12.0/17.6 | 12.0/16.7 |          |          |          |          |          | 16.0                             |
| 18.0                             | 12.0      | 12.0      | 12.0      |          | 8.8/18.8 |          |          |          | 18.0                             |
| 20.0                             | 12.0      | 12.0      | 12.0      | 9.0/21.5 | 8.8      |          | 5.3/20.9 |          | 20.0                             |
| 22.0                             | 12.0      | 12.0      | 12.0      | 9.0      | 8.8      |          | 5.2      |          | 22.0                             |
| 24.0                             | 12.0      | 12.0      | 12.0      | 9.0      | 8.7      | 6.4/25.4 | 5.0      |          | 24.0                             |
| 26.0                             | 12.0      | 12.0      | 12.0      | 9.0      | 8.5      | 6.4      | 4.8      |          | 26.0                             |
| 28.0                             | 12.0      | 12.0      | 12.0      | 9.0      | 8.2      | 6.4      | 4.6      | 3.4/29.3 | 28.0                             |
| 30.0                             | 10.9      | 11.4      | 11.3      | 9.0      | 8.0      | 6.4      | 4.5      | 3.4      | 30.0                             |
| 32.0                             | 9.8       | 10.2      | 10.2      | 9.0      | 7.8      | 6.4      | 4.3      | 3.3      | 32.0                             |
| 34.0                             | 8.8       | 9.2       | 9.2       | 9.0      | 7.6      | 6.4      | 4.2      | 3.2      | 34.0                             |
| 36.0                             | 7.9       | 8.3       | 8.3       | 8.7      | 7.4      | 6.4      | 4.0      | 3.1      | 36.0                             |
| 38.0                             | 7.2       | 7.5       | 7.5       | 8.0      | 7.2      | 6.4      | 3.9      | 3.1      | 38.0                             |
| 40.0                             | 6.5       | 6.8       | 6.9       | 7.3      | 7.1      | 6.2      | 3.8      | 3.0      | 40.0                             |
| 42.0                             | 5.9       | 6.1       | 6.2       | 6.6      | 6.5      | 6.0      | 3.7      | 2.9      | 42.0                             |
| 44.0                             | 5.3       | 5.5       | 5.7       | 6.0      | 5.9      | 5.9      | 3.6      | 2.9      | 44.0                             |
| 46.0                             | 4.8       | 5.0       | 5.2       | 5.5      | 5.4      | 5.7      | 3.5      | 2.8      | 46.0                             |
| 48.0                             | 4.4       | 4.5       | 4.7       | 5.0      | 5.0      | 5.4      | 3.4      | 2.8      | 48.0                             |
| 50.0                             | 4.0       | 4.1       | 4.3       | 4.5      | 4.5      | 5.0      | 3.3      | 2.7      | 50.0                             |
| 52.0                             | 3.6       | 3.7       | 3.9       | 4.1      | 4.1      | 4.5      | 3.2      | 2.7      | 52.0                             |
| 54.0                             | 3.2       | 3.3       | 3.5       | 3.7      | 3.8      | 4.1      | 3.1      | 2.7      | 54.0                             |
| 56.0                             | 3.0/55.6  | 3.0       | 3.2       | 3.4      | 3.4      | 3.8      | 3.1      | 2.6      | 56.0                             |
| 58.0                             |           | 2.9/56.2  | 2.9       | 3.0      | 3.1      | 3.4      | 3.0      | 2.6      | 58.0                             |
| 60.0                             |           |           | 2.6       | 2.7      | 2.8      | 3.1      | 2.9      | 2.6      | 60.0                             |
| 62.0                             |           |           | 2.4/61.3  | 2.4      | 2.6      | 2.8      | 2.8      | 2.6      | 62.0                             |
| 64.0                             |           |           |           | 2.4/62.2 | 2.3      | 2.5      | 2.5      | 2.6      | 64.0                             |
| 66.0                             |           |           |           |          | 2.1      | 2.2      | 2.3      | 2.5      | 66.0                             |
| 68.0                             |           |           |           |          | 2.0/66.9 | 2.0      | 2.1      | 2.3      | 68.0                             |
| 70.0                             |           |           |           |          |          | 1.9/68.2 | 1.9/69.3 | 2.0      | 70.0                             |
| 72.0                             |           |           |           |          |          |          |          | 1.9/71.0 | 72.0                             |

• For notes about the table above, refer to page 39.

■ Crane Jib (With Tower Boom Extensions)



|                                  |          |           |           |     |          |          |          |          | Unit: ton                        |
|----------------------------------|----------|-----------|-----------|-----|----------|----------|----------|----------|----------------------------------|
| Boom length (m)                  | 54       |           |           |     |          |          |          |          | Boom length (m)                  |
| Jib length (m)                   | 10       |           | 16        |     | 22       |          | 28       |          | Jib length (m)                   |
| Offset angle (deg)<br>Radius (m) | 10       | 30        | 10        | 30  | 10       | 30       | 10       | 30       | Offset angle (deg)<br>Radius (m) |
| 15.1                             | 12.0     |           |           |     |          |          |          |          | 15.1                             |
| 16.0                             | 12.0     |           | 12.0/17.2 |     |          |          |          |          | 16.0                             |
| 18.0                             | 12.0     | 12.0/18.1 | 12.0      |     | 8.8/19.3 |          |          |          | 18.0                             |
| 20.0                             | 12.0     | 12.0      | 12.0      |     | 8.8      |          | 5.3/21.4 |          | 20.0                             |
| 22.0                             | 12.0     | 12.0      | 12.0      | 9.0 | 8.8      |          | 5.2      |          | 22.0                             |
| 24.0                             | 12.0     | 12.0      | 12.0      | 9.0 | 8.8      | 6.4/25.9 | 5.0      |          | 24.0                             |
| 26.0                             | 12.0     | 12.0      | 12.0      | 9.0 | 8.6      | 6.4      | 4.9      |          | 26.0                             |
| 28.0                             | 12.0     | 12.0      | 12.0      | 9.0 | 8.3      | 6.4      | 4.7      | 3.4/29.8 | 28.0                             |
| 30.0                             | 10.7     | 11.2      | 11.1      | 9.0 | 8.1      | 6.4      | 4.5      | 3.4      | 30.0                             |
| 32.0                             | 9.5      | 10.0      | 9.9       | 9.0 | 7.9      | 6.4      | 4.4      | 3.3      | 32.0                             |
| 34.0                             | 8.6      | 9.0       | 9.0       | 9.0 | 7.7      | 6.4      | 4.2      | 3.2      | 34.0                             |
| 36.0                             | 7.7      | 8.1       | 8.1       | 8.7 | 7.5      | 6.4      | 4.1      | 3.2      | 36.0                             |
| 38.0                             | 6.9      | 7.2       | 7.3       | 7.8 | 7.3      | 6.4      | 4.0      | 3.1      | 38.0                             |
| 40.0                             | 6.2      | 6.5       | 6.6       | 7.1 | 6.9      | 6.3      | 3.9      | 3.0      | 40.0                             |
| 42.0                             | 5.6      | 5.9       | 6.0       | 6.4 | 6.3      | 6.1      | 3.8      | 3.0      | 42.0                             |
| 44.0                             | 5.1      | 5.3       | 5.4       | 5.8 | 5.7      | 5.9      | 3.6      | 2.9      | 44.0                             |
| 46.0                             | 4.6      | 4.8       | 4.9       | 5.3 | 5.2      | 5.7      | 3.5      | 2.9      | 46.0                             |
| 48.0                             | 4.1      | 4.3       | 4.5       | 4.8 | 4.7      | 5.2      | 3.5      | 2.8      | 48.0                             |
| 50.0                             | 3.7      | 3.9       | 4.0       | 4.3 | 4.3      | 4.8      | 3.4      | 2.8      | 50.0                             |
| 52.0                             | 3.3      | 3.5       | 3.6       | 3.9 | 3.9      | 4.3      | 3.3      | 2.7      | 52.0                             |
| 54.0                             | 3.0      | 3.1       | 3.3       | 3.5 | 3.5      | 3.9      | 3.2      | 2.7      | 54.0                             |
| 56.0                             | 2.7      | 2.7       | 3.0       | 3.2 | 3.2      | 3.5      | 3.1      | 2.7      | 56.0                             |
| 58.0                             | 2.4      | 2.4       | 2.7       | 2.8 | 2.9      | 3.2      | 3.1      | 2.6      | 58.0                             |
| 60.0                             | 2.3/58.2 | 2.3/58.8  | 2.4       | 2.5 | 2.6      | 2.9      | 2.8      | 2.6      | 60.0                             |
| 62.0                             |          |           | 2.1       | 2.2 | 2.3      | 2.6      | 2.5      | 2.6      | 62.0                             |
| 64.0                             |          |           | 1.9/63.9  | 1.9 | 2.1      | 2.3      | 2.3      | 2.6      | 64.0                             |
| 66.0                             |          |           |           |     | 1.9      | 2.0      | 2.0      | 2.3      | 66.0                             |
| 68.0                             |          |           |           |     |          | 1.9/67.0 | 1.9/67.0 | 2.1      | 68.0                             |
| 70.0                             |          |           |           |     |          |          |          | 1.9/69.3 | 70.0                             |

|                                  |           |           |           |          |          |          |     |          | Unit: ton                        |
|----------------------------------|-----------|-----------|-----------|----------|----------|----------|-----|----------|----------------------------------|
| Boom length (m)                  | 57        |           |           |          |          |          |     |          | Boom length (m)                  |
| Jib length (m)                   | 10        |           | 16        |          | 22       |          | 28  |          | Jib length (m)                   |
| Offset angle (deg)<br>Radius (m) | 10        | 30        | 10        | 30       | 10       | 30       | 10  | 30       | Offset angle (deg)<br>Radius (m) |
| 15.1                             | 12.0/15.7 |           |           |          |          |          |     |          | 15.1                             |
| 16.0                             | 12.0      |           | 12.0/17.8 |          |          |          |     |          | 16.0                             |
| 18.0                             | 12.0      | 12.0/18.7 | 12.0      |          | 8.8/19.9 |          |     |          | 18.0                             |
| 20.0                             | 12.0      | 12.0      | 12.0      |          | 8.8      |          |     |          | 20.0                             |
| 22.0                             | 12.0      | 12.0      | 12.0      | 9.0/22.6 | 8.8      |          | 5.3 |          | 22.0                             |
| 24.0                             | 12.0      | 12.0      | 12.0      | 9.0      | 8.8      |          | 5.1 |          | 24.0                             |
| 26.0                             | 12.0      | 12.0      | 12.0      | 9.0      | 8.7      | 6.4/26.5 | 4.9 |          | 26.0                             |
| 28.0                             | 11.8      | 12.0      | 12.0      | 9.0      | 8.4      | 6.4      | 4.8 |          | 28.0                             |
| 30.0                             | 10.5      | 11.0      | 10.9      | 9.0      | 8.2      | 6.4      | 4.6 | 3.4/30.4 | 30.0                             |
| 32.0                             | 9.4       | 9.8       | 9.8       | 9.0      | 8.0      | 6.4      | 4.4 | 3.3      | 32.0                             |
| 34.0                             | 8.4       | 8.8       | 8.8       | 9.0      | 7.8      | 6.4      | 4.3 | 3.3      | 34.0                             |
| 36.0                             | 7.5       | 7.9       | 7.9       | 8.5      | 7.6      | 6.4      | 4.2 | 3.2      | 36.0                             |
| 38.0                             | 6.8       | 7.1       | 7.1       | 7.7      | 7.4      | 6.4      | 4.0 | 3.1      | 38.0                             |
| 40.0                             | 6.1       | 6.4       | 6.4       | 7.0      | 6.7      | 6.4      | 3.9 | 3.1      | 40.0                             |
| 42.0                             | 5.5       | 5.7       | 5.8       | 6.3      | 6.1      | 6.2      | 3.8 | 3.0      | 42.0                             |
| 44.0                             | 4.9       | 5.2       | 5.3       | 5.7      | 5.5      | 6.0      | 3.7 | 2.9      | 44.0                             |
| 46.0                             | 4.4       | 4.6       | 4.7       | 5.1      | 5.0      | 5.6      | 3.6 | 2.9      | 46.0                             |
| 48.0                             | 4.0       | 4.2       | 4.3       | 4.6      | 4.6      | 5.1      | 3.5 | 2.8      | 48.0                             |
| 50.0                             | 3.5       | 3.7       | 3.9       | 4.2      | 4.1      | 4.6      | 3.4 | 2.8      | 50.0                             |
| 52.0                             | 3.2       | 3.3       | 3.5       | 3.8      | 3.7      | 4.2      | 3.3 | 2.7      | 52.0                             |
| 54.0                             | 2.8       | 2.9       | 3.1       | 3.4      | 3.4      | 3.8      | 3.3 | 2.7      | 54.0                             |
| 56.0                             | 2.5       | 2.6       | 2.8       | 3.0      | 3.0      | 3.4      | 3.2 | 2.7      | 56.0                             |
| 58.0                             | 2.2       | 2.3       | 2.5       | 2.7      | 2.7      | 3.1      | 2.9 | 2.6      | 58.0                             |
| 60.0                             | 1.9       | 2.0       | 2.2       | 2.4      | 2.4      | 2.7      | 2.6 | 2.6      | 60.0                             |
| 62.0                             |           | 1.9/60.7  | 1.9       | 2.1      | 2.2      | 2.4      | 2.4 | 2.6      | 62.0                             |
| 64.0                             |           |           | 1.9/63.3  | 1.9      | 2.2      | 2.2      | 2.1 | 2.5      | 64.0                             |
| 66.0                             |           |           |           |          |          | 1.9      | 1.9 | 2.2      | 66.0                             |
| 68.0                             |           |           |           |          |          |          |     | 2.0      | 68.0                             |
| 70.0                             |           |           |           |          |          |          |     | 1.9/68.6 | 70.0                             |

• For notes about the table above, refer to page 39.

■ Crane Jib (With Tower Boom Extensions)



|                                  |          |           |           |          |          |          |          |          | Unit: ton                        |
|----------------------------------|----------|-----------|-----------|----------|----------|----------|----------|----------|----------------------------------|
| Boom length (m)                  | 60       |           |           |          |          |          |          |          | Boom length (m)                  |
| Jib length (m)                   | 10       |           | 16        |          | 22       |          | 28       |          | Jib length (m)                   |
| Offset angle (deg)<br>Radius (m) | 10       | 30        | 10        | 30       | 10       | 30       | 10       | 30       | Offset angle (deg)<br>Radius (m) |
| 16.2                             | 12.0     |           |           |          |          |          |          |          | 16.2                             |
| 18.0                             | 12.0     | 12.0/19.2 | 12.0/18.3 |          |          |          |          |          | 18.0                             |
| 20.0                             | 12.0     | 12.0      | 12.0      |          | 8.8/20.4 |          |          |          | 20.0                             |
| 22.0                             | 12.0     | 12.0      | 12.0      | 9.0/23.1 | 8.8      |          | 5.3/22.5 |          | 22.0                             |
| 24.0                             | 12.0     | 12.0      | 12.0      | 9.0      | 8.8      |          | 5.1      |          | 24.0                             |
| 26.0                             | 12.0     | 12.0      | 12.0      | 9.0      | 8.8      | 6.4/27.0 | 5.0      |          | 26.0                             |
| 28.0                             | 11.8     | 12.0      | 12.0      | 9.0      | 8.5      | 6.4      | 4.8      |          | 28.0                             |
| 30.0                             | 10.5     | 11.0      | 10.9      | 9.0      | 8.3      | 6.4      | 4.6      | 3.4/30.9 | 30.0                             |
| 32.0                             | 9.3      | 9.8       | 9.7       | 9.0      | 8.1      | 6.4      | 4.5      | 3.3      | 32.0                             |
| 34.0                             | 8.3      | 8.8       | 8.7       | 9.0      | 7.9      | 6.4      | 4.4      | 3.3      | 34.0                             |
| 36.0                             | 7.5      | 7.9       | 7.8       | 8.5      | 7.7      | 6.4      | 4.2      | 3.2      | 36.0                             |
| 38.0                             | 6.7      | 7.1       | 7.1       | 7.7      | 7.4      | 6.4      | 4.1      | 3.1      | 38.0                             |
| 40.0                             | 6.0      | 6.3       | 6.4       | 6.9      | 6.7      | 6.4      | 4.0      | 3.1      | 40.0                             |
| 42.0                             | 5.4      | 5.7       | 5.7       | 6.2      | 6.0      | 6.3      | 3.9      | 3.0      | 42.0                             |
| 44.0                             | 4.8      | 5.1       | 5.2       | 5.6      | 5.5      | 6.1      | 3.8      | 3.0      | 44.0                             |
| 46.0                             | 4.3      | 4.6       | 4.7       | 5.1      | 4.9      | 5.6      | 3.7      | 2.9      | 46.0                             |
| 48.0                             | 3.9      | 4.1       | 4.2       | 4.6      | 4.5      | 5.0      | 3.6      | 2.9      | 48.0                             |
| 50.0                             | 3.5      | 3.6       | 3.8       | 4.1      | 4.0      | 4.6      | 3.5      | 2.8      | 50.0                             |
| 52.0                             | 3.1      | 3.2       | 3.4       | 3.7      | 3.6      | 4.1      | 3.4      | 2.8      | 52.0                             |
| 54.0                             | 2.7      | 2.9       | 3.0       | 3.3      | 3.3      | 3.7      | 3.3      | 2.7      | 54.0                             |
| 56.0                             | 2.4      | 2.5       | 2.7       | 2.9      | 2.9      | 3.3      | 3.1      | 2.7      | 56.0                             |
| 58.0                             | 2.1      | 2.2       | 2.4       | 2.6      | 2.6      | 3.0      | 2.8      | 2.7      | 58.0                             |
| 60.0                             | 1.9/59.3 | 1.9       | 2.1       | 2.3      | 2.3      | 2.7      | 2.5      | 2.6      | 60.0                             |
| 62.0                             |          |           | 1.9/61.3  | 2.0      | 2.1      | 2.4      | 2.3      | 2.6      | 62.0                             |
| 64.0                             |          |           |           | 1.9/62.6 | 1.9/63.3 | 2.1      | 2.0      | 2.4      | 64.0                             |
| 66.0                             |          |           |           |          |          | 1.9/65.3 | 1.9/65.0 | 2.1      | 66.0                             |
| 68.0                             |          |           |           |          |          |          |          | 1.9      | 68.0                             |

|                                  |           |           |           |          |          |          |          |          | Unit: ton                        |
|----------------------------------|-----------|-----------|-----------|----------|----------|----------|----------|----------|----------------------------------|
| Boom length (m)                  | 63        |           |           |          |          |          |          |          | Boom length (m)                  |
| Jib length (m)                   | 10        |           | 16        |          | 22       |          | 28       |          | Jib length (m)                   |
| Offset angle (deg)<br>Radius (m) | 10        | 30        | 10        | 30       | 10       | 30       | 10       | 30       | Offset angle (deg)<br>Radius (m) |
| 16.2                             | 12.0/16.8 |           |           |          |          |          |          |          | 16.2                             |
| 18.0                             | 12.0      | 12.0/19.8 | 12.0/18.9 |          |          |          |          |          | 18.0                             |
| 20.0                             | 12.0      | 12.0      | 12.0      |          | 8.8/21.0 |          |          |          | 20.0                             |
| 22.0                             | 12.0      | 12.0      | 12.0      | 9.0/23.7 | 8.8      |          | 5.3/23.1 |          | 22.0                             |
| 24.0                             | 12.0      | 12.0      | 12.0      | 9.0      | 8.8      |          | 5.2      |          | 24.0                             |
| 26.0                             | 12.0      | 12.0      | 12.0      | 9.0      | 8.8      | 6.4/27.5 | 5.0      |          | 26.0                             |
| 28.0                             | 11.5      | 12.0      | 12.0      | 9.0      | 8.6      | 6.4      | 4.9      |          | 28.0                             |
| 30.0                             | 10.2      | 10.8      | 10.6      | 9.0      | 8.4      | 6.4      | 4.7      | 3.4/31.4 | 30.0                             |
| 32.0                             | 9.1       | 9.6       | 9.5       | 9.0      | 8.2      | 6.4      | 4.6      | 3.4      | 32.0                             |
| 34.0                             | 8.1       | 8.6       | 8.5       | 9.0      | 8.0      | 6.4      | 4.4      | 3.3      | 34.0                             |
| 36.0                             | 7.2       | 7.7       | 7.6       | 8.3      | 7.8      | 6.4      | 4.3      | 3.2      | 36.0                             |
| 38.0                             | 6.5       | 6.8       | 6.8       | 7.5      | 7.1      | 6.4      | 4.2      | 3.2      | 38.0                             |
| 40.0                             | 5.8       | 6.1       | 6.1       | 6.7      | 6.4      | 6.4      | 4.0      | 3.1      | 40.0                             |
| 42.0                             | 5.2       | 5.5       | 5.5       | 6.0      | 5.8      | 6.4      | 3.9      | 3.0      | 42.0                             |
| 44.0                             | 4.6       | 4.9       | 4.9       | 5.4      | 5.2      | 5.9      | 3.8      | 3.0      | 44.0                             |
| 46.0                             | 4.1       | 4.4       | 4.4       | 4.9      | 4.7      | 5.4      | 3.7      | 2.9      | 46.0                             |
| 48.0                             | 3.6       | 3.9       | 4.0       | 4.4      | 4.2      | 4.8      | 3.6      | 2.9      | 48.0                             |
| 50.0                             | 3.2       | 3.4       | 3.5       | 3.9      | 3.8      | 4.4      | 3.5      | 2.8      | 50.0                             |
| 52.0                             | 2.8       | 3.0       | 3.1       | 3.5      | 3.4      | 3.9      | 3.5      | 2.8      | 52.0                             |
| 54.0                             | 2.5       | 2.6       | 2.8       | 3.1      | 3.0      | 3.5      | 3.3      | 2.7      | 54.0                             |
| 56.0                             | 2.1       | 2.3       | 2.4       | 2.7      | 2.7      | 3.1      | 2.9      | 2.7      | 56.0                             |
| 58.0                             | 1.9/57.3  | 2.0       | 2.1       | 2.4      | 2.4      | 2.8      | 2.6      | 2.7      | 58.0                             |
| 60.0                             |           | 1.9/58.6  | 1.9/59.3  | 2.1      | 2.1      | 2.5      | 2.3      | 2.7      | 60.0                             |
| 62.0                             |           |           |           | 1.9/61.3 | 1.9/61.3 | 2.2      | 2.0      | 2.5      | 62.0                             |
| 64.0                             |           |           |           |          |          | 1.9      | 1.9/63.0 | 2.2      | 64.0                             |
| 66.0                             |           |           |           |          |          |          |          | 1.9      | 66.0                             |

• For notes about the table above, refer to page 39.

## ■ Main Boom with Crane Jib (With Tower Boom Extensions)



| Unit: ton                        |            |            |            |            |            |            |            |            |                                  |
|----------------------------------|------------|------------|------------|------------|------------|------------|------------|------------|----------------------------------|
| Boom length (m)                  | 24         |            |            |            |            |            |            |            | Boom length (m)                  |
| Jib length (m)                   | 10         |            | 16         |            | 22         |            | 28         |            | Jib length (m)                   |
| Offset angle (deg)<br>Radius (m) | 10         | 30         | 10         | 30         | 10         | 30         | 10         | 30         | Offset angle (deg)<br>Radius (m) |
| 6.3                              | 80.0       | 80.0       | 80.0       | 80.0       | 80.0       | 80.0       | 80.0       | 80.0       | 6.3                              |
| 7.0                              | 80.0       | 80.0       | 80.0       | 80.0       | 80.0       | 80.0       | 80.0       | 80.0       | 7.0                              |
| 8.0                              | 74.2       | 73.9       | 73.7       | 73.2       | 73.1       | 72.3       | 72.4       | 71.4       | 8.0                              |
| 9.0                              | 63.5       | 63.1       | 62.8       | 62.1       | 62.0       | 61.0       | 61.1       | 59.6       | 9.0                              |
| 10.0                             | 54.1       | 53.8       | 53.4       | 52.9       | 52.7       | 51.8       | 51.8       | 50.6       | 10.0                             |
| 12.0                             | 41.4       | 41.1       | 40.7       | 40.3       | 40.0       | 39.4       | 39.2       | 38.3       | 12.0                             |
| 14.0                             | 33.1       | 32.9       | 32.5       | 32.2       | 31.8       | 31.4       | 31.0       | 30.4       | 14.0                             |
| 16.0                             | 27.4       | 27.2       | 26.8       | 26.5       | 26.1       | 25.8       | 25.4       | 24.9       | 16.0                             |
| 18.0                             | 23.1       | 23.0       | 22.5       | 22.4       | 21.9       | 21.6       | 21.2       | 20.8       | 18.0                             |
| 20.0                             | 19.8       | 19.8       | 19.3       | 19.2       | 18.6       | 18.5       | 18.0       | 17.7       | 20.0                             |
| 22.0                             | 17.2       | 17.2       | 16.7       | 16.6       | 16.1       | 16.0       | 15.4       | 15.3       | 22.0                             |
| 24.0                             | 16.9 /22.3 | 16.9 /22.3 | 16.4 /22.3 | 16.3 /22.3 | 15.8 /22.3 | 15.7 /22.3 | 15.1 /22.3 | 15.0 /22.3 | 24.0                             |

| Unit: ton                        |            |            |            |            |            |            |            |            |                                  |
|----------------------------------|------------|------------|------------|------------|------------|------------|------------|------------|----------------------------------|
| Boom length (m)                  | 27         |            |            |            |            |            |            |            | Boom length (m)                  |
| Jib length (m)                   | 10         |            | 16         |            | 22         |            | 28         |            | Jib length (m)                   |
| Offset angle (deg)<br>Radius (m) | 10         | 30         | 10         | 30         | 10         | 30         | 10         | 30         | Offset angle (deg)<br>Radius (m) |
| 6.3                              | 80.0 /6.8  | 80.0 /6.8  | 80.0 /6.8  | 80.0 /6.8  | 80.0 /6.8  | 80.0 /6.8  | 80.0 /6.8  | 80.0 /6.8  | 6.3                              |
| 7.0                              | 80.0       | 80.0       | 80.0       | 80.0       | 80.0       | 80.0       | 80.0       | 80.0       | 7.0                              |
| 8.0                              | 74.0       | 73.7       | 73.5       | 73.0       | 73.0       | 72.2       | 72.3       | 71.2       | 8.0                              |
| 9.0                              | 63.5       | 63.1       | 62.8       | 62.1       | 62.0       | 61.0       | 61.2       | 59.7       | 9.0                              |
| 10.0                             | 54.1       | 53.7       | 53.4       | 52.8       | 52.7       | 51.8       | 51.9       | 50.6       | 10.0                             |
| 12.0                             | 41.3       | 41.0       | 40.7       | 40.2       | 40.0       | 39.3       | 39.2       | 38.3       | 12.0                             |
| 14.0                             | 33.0       | 32.8       | 32.5       | 32.1       | 31.8       | 31.3       | 31.1       | 30.4       | 14.0                             |
| 16.0                             | 27.3       | 27.1       | 26.7       | 26.4       | 26.1       | 25.7       | 25.4       | 24.8       | 16.0                             |
| 18.0                             | 23.0       | 22.9       | 22.4       | 22.2       | 21.8       | 21.5       | 21.1       | 20.8       | 18.0                             |
| 20.0                             | 19.7       | 19.6       | 19.2       | 19.0       | 18.6       | 18.4       | 17.9       | 17.6       | 20.0                             |
| 22.0                             | 17.1       | 17.0       | 16.6       | 16.5       | 16.0       | 15.9       | 15.4       | 15.2       | 22.0                             |
| 24.0                             | 15.0       | 15.0       | 14.5       | 14.4       | 13.9       | 13.9       | 13.3       | 13.2       | 24.0                             |
| 26.0                             | 14.2 /24.9 | 14.2 /24.9 | 13.7 /24.9 | 13.6 /24.9 | 13.1 /24.9 | 13.1 /24.9 | 12.5 /24.9 | 12.4 /24.9 | 26.0                             |

- The rated loads are determined according to EN13000 rating with the machine on firm level ground.
- The figures surrounded by bold lines are based on factors other than those which would cause a tipping condition.
- To calculate the maximum load that can actually be lifted, deduct weight of all lifting accessories, such as boom hook and jib hook, from figures shown above.
- Working radius is the horizontal distance from the slewing center to the center of gravity of a lifted load.
- The offset angles shown are of jib boom offset angle against the main boom, under load.
- The counter weight is 49.6 ton.
- Correlation between the number of reeved lines, maximum rated loads, hook weights are shown in the table below.

| Hook Capacity (t) | Hook Weight (t) | Maximum rated loads (t) |        |        |        |        |        |       |
|-------------------|-----------------|-------------------------|--------|--------|--------|--------|--------|-------|
|                   |                 | 7falls                  | 6falls | 5falls | 4falls | 3falls | 2falls | 1fall |
| 120               | 1.64            | 84                      | 72     | 60     | 48     | 36     | 24     |       |
| 80                | 1.35            | 80                      | 72     | 60     | 48     | 36     | 24     |       |
| 35                | 0.90            |                         |        |        |        | 35     | 24     |       |
| 12                | 0.51            |                         |        |        |        |        |        | 12    |

■ Main Boom with Crane Jib (With Tower Boom Extensions)



|                                  |             |             |             |             |             |             |             |             | Unit: ton                        |
|----------------------------------|-------------|-------------|-------------|-------------|-------------|-------------|-------------|-------------|----------------------------------|
| Boom length (m)                  | 30          |             |             |             |             |             |             |             | Boom length (m)                  |
| Jib length (m)                   | 10          |             | 16          |             | 22          |             | 28          |             | Jib length (m)                   |
| Offset angle (deg)<br>Radius (m) | 10          | 30          | 10          | 30          | 10          | 30          | 10          | 30          | Offset angle (deg)<br>Radius (m) |
| 7.4                              | 72.0        | 72.0        | 72.0        | 72.0        | 72.0        | 72.0        | 72.0        | 72.0 / 7.4  | 7.4                              |
| 8.0                              | 72.0        | 72.0        | 72.0        | 72.0        | 72.0        | 71.1        | 71.2        | 69.6        | 8.0                              |
| 9.0                              | 63.4        | 63.0        | 62.8        | 62.0        | 62.0        | 60.9        | 61.1        | 59.7        | 9.0                              |
| 10.0                             | 54.0        | 53.6        | 53.4        | 52.8        | 52.7        | 51.7        | 51.9        | 50.6        | 10.0                             |
| 12.0                             | 41.2        | 40.9        | 40.6        | 40.2        | 40.0        | 39.3        | 39.2        | 38.3        | 12.0                             |
| 14.0                             | 32.9        | 32.7        | 32.4        | 32.0        | 31.8        | 31.2        | 31.1        | 30.3        | 14.0                             |
| 16.0                             | 27.2        | 27.0        | 26.6        | 26.3        | 26.0        | 25.6        | 25.3        | 24.8        | 16.0                             |
| 18.0                             | 22.9        | 22.7        | 22.4        | 22.1        | 21.8        | 21.4        | 21.1        | 20.7        | 18.0                             |
| 20.0                             | 19.6        | 19.5        | 19.1        | 18.9        | 18.5        | 18.3        | 17.9        | 17.5        | 20.0                             |
| 22.0                             | 17.0        | 16.9        | 16.5        | 16.4        | 15.9        | 15.7        | 15.3        | 15.1        | 22.0                             |
| 24.0                             | 14.9        | 14.8        | 14.4        | 14.3        | 13.8        | 13.7        | 13.2        | 13.1        | 24.0                             |
| 26.0                             | 13.1        | 13.1        | 12.7        | 12.6        | 12.1        | 12.0        | 11.5        | 11.4        | 26.0                             |
| 28.0                             | 12.0 / 27.5 | 12.0 / 27.5 | 11.6 / 27.5 | 11.5 / 27.5 | 11.0 / 27.5 | 11.0 / 27.5 | 10.5 / 27.5 | 10.4 / 27.5 | 28.0                             |

|                                  |             |             |            |            |            |            |            |            | Unit: ton                        |
|----------------------------------|-------------|-------------|------------|------------|------------|------------|------------|------------|----------------------------------|
| Boom length (m)                  | 33          |             |            |            |            |            |            |            | Boom length (m)                  |
| Jib length (m)                   | 10          |             | 16         |            | 22         |            | 28         |            | Jib length (m)                   |
| Offset angle (deg)<br>Radius (m) | 10          | 30          | 10         | 30         | 10         | 30         | 10         | 30         | Offset angle (deg)<br>Radius (m) |
| 7.4                              | 72.0 / 7.9  | 72.0 / 7.9  | 72.0 / 7.9 | 71.9 / 7.9 | 71.8 / 7.9 | 70.6 / 7.9 | 70.8 / 7.9 | 69.2 / 7.9 | 7.4                              |
| 8.0                              | 72.0        | 71.9        | 71.6       | 70.8       | 70.7       | 69.5       | 69.7       | 68.0       | 8.0                              |
| 9.0                              | 62.5        | 62.1        | 61.7       | 61.1       | 60.9       | 59.9       | 59.9       | 58.5       | 9.0                              |
| 10.0                             | 54.0        | 53.6        | 53.4       | 52.7       | 52.7       | 51.7       | 51.9       | 50.6       | 10.0                             |
| 12.0                             | 41.2        | 40.9        | 40.6       | 40.1       | 40.0       | 39.3       | 39.3       | 38.3       | 12.0                             |
| 14.0                             | 32.9        | 32.7        | 32.4       | 32.0       | 31.7       | 31.2       | 31.1       | 30.3       | 14.0                             |
| 16.0                             | 27.1        | 26.9        | 26.6       | 26.3       | 26.0       | 25.6       | 25.4       | 24.7       | 16.0                             |
| 18.0                             | 22.8        | 22.7        | 22.3       | 22.1       | 21.7       | 21.4       | 21.1       | 20.6       | 18.0                             |
| 20.0                             | 19.5        | 19.4        | 19.0       | 18.8       | 18.5       | 18.2       | 17.9       | 17.5       | 20.0                             |
| 22.0                             | 16.9        | 16.8        | 16.4       | 16.3       | 15.9       | 15.7       | 15.3       | 15.0       | 22.0                             |
| 24.0                             | 14.8        | 14.7        | 14.3       | 14.2       | 13.8       | 13.6       | 13.2       | 13.0       | 24.0                             |
| 26.0                             | 13.1        | 13.0        | 12.6       | 12.5       | 12.1       | 12.0       | 11.5       | 11.3       | 26.0                             |
| 28.0                             | 11.6        | 11.6        | 11.2       | 11.1       | 10.7       | 10.6       | 10.1       | 10.0       | 28.0                             |
| 30.0                             | 10.4        | 10.3        | 9.9        | 9.9        | 9.4        | 9.4        | 8.9        | 8.8        | 30.0                             |
| 32.0                             | 10.3 / 30.1 | 10.3 / 30.1 | 9.9 / 30.1 | 9.8 / 30.1 | 9.4 / 30.1 | 9.3 / 30.1 | 8.8 / 30.1 | 8.8 / 30.1 | 32.0                             |

• For notes about the table above, refer to page 46.

■ Main Boom with Crane Jib (With Tower Boom Extensions)



Unit: ton

| Boom length (m)                  | 36        |           |           |           |           |           |           |           | Boom length (m)                  |
|----------------------------------|-----------|-----------|-----------|-----------|-----------|-----------|-----------|-----------|----------------------------------|
| Jib length (m)                   | 10        |           | 16        |           | 22        |           | 28        |           | Jib length (m)                   |
| Offset angle (deg)<br>Radius (m) | 10        | 30        | 10        | 30        | 10        | 30        | 10        | 30        | Offset angle (deg)<br>Radius (m) |
| 8.5                              | 60.0      | 60.0      | 60.0      | 60.0      | 60.0      | 60.0      | 60.0      | 60.0      | 8.5                              |
| 9.0                              | 60.0      | 60.0      | 60.0      | 59.6      | 59.5      | 58.5      | 58.6      | 57.2      | 9.0                              |
| 10.0                             | 53.6      | 53.3      | 52.9      | 52.3      | 52.1      | 51.3      | 51.3      | 50.1      | 10.0                             |
| 12.0                             | 41.1      | 40.8      | 40.5      | 40.0      | 39.9      | 39.2      | 39.2      | 38.2      | 12.0                             |
| 14.0                             | 32.8      | 32.5      | 32.2      | 31.9      | 31.7      | 31.1      | 31.0      | 30.2      | 14.0                             |
| 16.0                             | 27.0      | 26.8      | 26.5      | 26.1      | 25.9      | 25.4      | 25.3      | 24.6      | 16.0                             |
| 18.0                             | 22.7      | 22.5      | 22.2      | 21.9      | 21.6      | 21.3      | 21.0      | 20.5      | 18.0                             |
| 20.0                             | 19.4      | 19.3      | 18.9      | 18.7      | 18.4      | 18.1      | 17.8      | 17.4      | 20.0                             |
| 22.0                             | 16.8      | 16.7      | 16.3      | 16.1      | 15.8      | 15.5      | 15.2      | 14.9      | 22.0                             |
| 24.0                             | 14.7      | 14.6      | 14.2      | 14.0      | 13.7      | 13.5      | 13.1      | 12.8      | 24.0                             |
| 26.0                             | 12.9      | 12.8      | 12.4      | 12.3      | 11.9      | 11.8      | 11.4      | 11.2      | 26.0                             |
| 28.0                             | 11.4      | 11.4      | 11.0      | 10.9      | 10.5      | 10.4      | 9.9       | 9.8       | 28.0                             |
| 30.0                             | 10.2      | 10.1      | 9.7       | 9.7       | 9.3       | 9.2       | 8.7       | 8.6       | 30.0                             |
| 32.0                             | 9.1       | 9.1       | 8.7       | 8.6       | 8.2       | 8.1       | 7.7       | 7.6       | 32.0                             |
| 34.0                             | 8.8 /32.7 | 8.7 /32.7 | 8.3 /32.7 | 8.3 /32.7 | 7.9 /32.7 | 7.8 /32.7 | 7.3 /32.7 | 7.3 /32.7 | 34.0                             |

Unit: ton

| Boom length (m)                  | 39        |           |           |           |           |           |           |           | Boom length (m)                  |
|----------------------------------|-----------|-----------|-----------|-----------|-----------|-----------|-----------|-----------|----------------------------------|
| Jib length (m)                   | 10        |           | 16        |           | 22        |           | 28        |           | Jib length (m)                   |
| Offset angle (deg)<br>Radius (m) | 10        | 30        | 10        | 30        | 10        | 30        | 10        | 30        | Offset angle (deg)<br>Radius (m) |
| 9.0                              | 59.7      | 59.3      | 59.0      | 58.3      | 58.2      | 57.2      | 57.3      | 55.9      | 9.0                              |
| 10.0                             | 52.5      | 52.1      | 51.8      | 51.2      | 51.1      | 50.2      | 50.2      | 49.0      | 10.0                             |
| 12.0                             | 40.9      | 40.6      | 40.3      | 39.8      | 39.7      | 39.0      | 39.1      | 38.0      | 12.0                             |
| 14.0                             | 32.6      | 32.3      | 32.1      | 31.7      | 31.5      | 30.9      | 30.9      | 30.0      | 14.0                             |
| 16.0                             | 26.8      | 26.6      | 26.3      | 25.9      | 25.7      | 25.2      | 25.1      | 24.4      | 16.0                             |
| 18.0                             | 22.5      | 22.3      | 22.0      | 21.7      | 21.5      | 21.1      | 20.9      | 20.3      | 18.0                             |
| 20.0                             | 19.2      | 19.0      | 18.7      | 18.5      | 18.2      | 17.8      | 17.6      | 17.2      | 20.0                             |
| 22.0                             | 16.6      | 16.4      | 16.1      | 15.9      | 15.6      | 15.3      | 15.0      | 14.6      | 22.0                             |
| 24.0                             | 14.4      | 14.3      | 14.0      | 13.8      | 13.5      | 13.2      | 12.9      | 12.6      | 24.0                             |
| 26.0                             | 12.7      | 12.6      | 12.2      | 12.1      | 11.7      | 11.5      | 11.2      | 10.9      | 26.0                             |
| 28.0                             | 11.2      | 11.1      | 10.8      | 10.7      | 10.3      | 10.1      | 9.8       | 9.5       | 28.0                             |
| 30.0                             | 9.9       | 9.9       | 9.5       | 9.4       | 9.0       | 8.9       | 8.5       | 8.4       | 30.0                             |
| 32.0                             | 8.9       | 8.8       | 8.4       | 8.4       | 8.0       | 7.9       | 7.5       | 7.4       | 32.0                             |
| 34.0                             | 7.9       | 7.9       | 7.5       | 7.5       | 7.1       | 7.0       | 6.6       | 6.5       | 34.0                             |
| 36.0                             | 7.4 /35.3 | 7.4 /35.3 | 7.0 /35.3 | 6.9 /35.3 | 6.5 /35.3 | 6.5 /35.3 | 6.0 /35.3 | 6.0 /35.3 | 36.0                             |

• For notes about the table above, refer to page 46.



■ Main Boom with Crane Jib (With Tower Boom Extensions)



| Unit: ton                        |           |           |           |           |           |           |           |           |                                  |
|----------------------------------|-----------|-----------|-----------|-----------|-----------|-----------|-----------|-----------|----------------------------------|
| Boom length (m)                  | 42        |           |           |           |           |           |           |           | Boom length (m)                  |
| Jib length (m)                   | 10        |           | 16        |           | 22        |           | 28        |           | Jib length (m)                   |
| Offset angle (deg)<br>Radius (m) | 10        | 30        | 10        | 30        | 10        | 30        | 10        | 30        | Offset angle (deg)<br>Radius (m) |
| 9.6                              | 48.0      | 48.0      | 48.0      | 48.0      | 48.0      | 48.0      | 48.0      | 48.0      | 9.6                              |
| 10.0                             | 48.0      | 48.0      | 48.0      | 48.0      | 48.0      | 48.0      | 48.0      | 48.0      | 10.0                             |
| 12.0                             | 40.9      | 40.6      | 40.4      | 39.9      | 39.8      | 39.0      | 39.1      | 38.1      | 12.0                             |
| 14.0                             | 32.6      | 32.3      | 32.1      | 31.7      | 31.5      | 30.9      | 30.9      | 30.1      | 14.0                             |
| 16.0                             | 26.8      | 26.6      | 26.3      | 25.9      | 25.7      | 25.2      | 25.1      | 24.5      | 16.0                             |
| 18.0                             | 22.5      | 22.3      | 22.0      | 21.7      | 21.5      | 21.1      | 20.9      | 20.3      | 18.0                             |
| 20.0                             | 19.1      | 19.0      | 18.7      | 18.5      | 18.2      | 17.8      | 17.6      | 17.2      | 20.0                             |
| 22.0                             | 16.5      | 16.4      | 16.1      | 15.9      | 15.6      | 15.3      | 15.0      | 14.6      | 22.0                             |
| 24.0                             | 14.4      | 14.3      | 14.0      | 13.8      | 13.5      | 13.2      | 12.9      | 12.6      | 24.0                             |
| 26.0                             | 12.6      | 12.6      | 12.2      | 12.1      | 11.7      | 11.5      | 11.2      | 10.9      | 26.0                             |
| 28.0                             | 11.2      | 11.1      | 10.7      | 10.6      | 10.3      | 10.1      | 9.7       | 9.5       | 28.0                             |
| 30.0                             | 9.9       | 9.8       | 9.5       | 9.4       | 9.0       | 8.9       | 8.5       | 8.3       | 30.0                             |
| 32.0                             | 8.8       | 8.8       | 8.4       | 8.3       | 7.9       | 7.8       | 7.4       | 7.3       | 32.0                             |
| 34.0                             | 7.9       | 7.8       | 7.5       | 7.4       | 7.0       | 6.9       | 6.5       | 6.4       | 34.0                             |
| 36.0                             | 7.1       | 7.0       | 6.6       | 6.6       | 6.2       | 6.1       | 5.7       | 5.6       | 36.0                             |
| 38.0                             | 6.4 /37.9 | 6.3 /37.9 | 6.0 /37.9 | 5.9 /37.9 | 5.5 /37.9 | 5.5 /37.9 | 5.1 /37.9 | 5.0 /37.9 | 38.0                             |

| Unit: ton                        |            |            |            |            |            |            |            |            |                                  |
|----------------------------------|------------|------------|------------|------------|------------|------------|------------|------------|----------------------------------|
| Boom length (m)                  | 45         |            |            |            |            |            |            |            | Boom length (m)                  |
| Jib length (m)                   | 10         |            | 16         |            | 22         |            | 28         |            | Jib length (m)                   |
| Offset angle (deg)<br>Radius (m) | 10         | 30         | 10         | 30         | 10         | 30         | 10         | 30         | Offset angle (deg)<br>Radius (m) |
| 10.0                             | 48.0 /10.1 | 48.0 /10.1 | 48.0 /10.1 | 48.0 /10.1 | 48.0 /10.1 | 47.5 /10.1 | 47.5 /10.1 | 46.3 /10.1 | 10.0                             |
| 12.0                             | 40.4       | 40.1       | 39.7       | 39.3       | 39.1       | 38.4       | 38.3       | 37.3       | 12.0                             |
| 14.0                             | 32.4       | 32.1       | 31.9       | 31.5       | 31.3       | 30.7       | 30.7       | 29.9       | 14.0                             |
| 16.0                             | 26.5       | 26.3       | 26.1       | 25.7       | 25.5       | 25.0       | 25.0       | 24.3       | 16.0                             |
| 18.0                             | 22.2       | 22.1       | 21.8       | 21.5       | 21.3       | 20.8       | 20.7       | 20.1       | 18.0                             |
| 20.0                             | 18.9       | 18.8       | 18.5       | 18.2       | 18.0       | 17.6       | 17.4       | 16.9       | 20.0                             |
| 22.0                             | 16.3       | 16.2       | 15.9       | 15.6       | 15.4       | 15.1       | 14.8       | 14.4       | 22.0                             |
| 24.0                             | 14.2       | 14.1       | 13.7       | 13.6       | 13.3       | 13.0       | 12.7       | 12.4       | 24.0                             |
| 26.0                             | 12.4       | 12.3       | 12.0       | 11.8       | 11.5       | 11.3       | 11.0       | 10.7       | 26.0                             |
| 28.0                             | 10.9       | 10.8       | 10.5       | 10.4       | 10.0       | 9.8        | 9.5        | 9.3        | 28.0                             |
| 30.0                             | 9.7        | 9.6        | 9.2        | 9.1        | 8.8        | 8.6        | 8.3        | 8.1        | 30.0                             |
| 32.0                             | 8.6        | 8.5        | 8.2        | 8.1        | 7.7        | 7.6        | 7.2        | 7.0        | 32.0                             |
| 34.0                             | 7.6        | 7.6        | 7.2        | 7.1        | 6.8        | 6.7        | 6.3        | 6.2        | 34.0                             |
| 36.0                             | 6.8        | 6.8        | 6.4        | 6.3        | 6.0        | 5.9        | 5.5        | 5.4        | 36.0                             |
| 38.0                             | 6.1        | 6.0        | 5.7        | 5.6        | 5.2        | 5.2        | 4.8        | 4.7        | 38.0                             |
| 40.0                             | 5.4        | 5.4        | 5.0        | 5.0        | 4.6        | 4.6        | 4.1        | 4.1        | 40.0                             |
| 42.0                             | 5.3 /40.5  | 5.2 /40.5  | 4.9 /40.5  | 4.9 /40.5  | 4.5 /40.5  | 4.4 /40.5  | 4.0 /40.5  | 4.0 /40.5  | 42.0                             |

• For notes about the table above, refer to page 46.

■ Main Boom with Crane Jib (With Tower Boom Extensions)



| Unit: ton                        |           |           |           |           |           |           |           |           |                                  |
|----------------------------------|-----------|-----------|-----------|-----------|-----------|-----------|-----------|-----------|----------------------------------|
| Boom length (m)                  | 48        |           |           |           |           |           |           |           | Boom length (m)                  |
| Jib length (m)                   | 10        |           | 16        |           | 22        |           | 28        |           | Jib length (m)                   |
| Offset angle (deg)<br>Radius (m) | 10        | 30        | 10        | 30        | 10        | 30        | 10        | 30        | Offset angle (deg)<br>Radius (m) |
| 10.6                             | 36.0      | 36.0      | 36.0      | 36.0      | 36.0      | 36.0      | 36.0      | 36.0      | 10.6                             |
| 12.0                             | 36.0      | 36.0      | 36.0      | 36.0      | 36.0      | 36.0      | 36.0      | 36.0      | 12.0                             |
| 14.0                             | 32.4      | 32.1      | 31.9      | 31.5      | 31.4      | 30.7      | 30.8      | 29.9      | 14.0                             |
| 16.0                             | 26.5      | 26.3      | 26.1      | 25.7      | 25.6      | 25.0      | 25.0      | 24.3      | 16.0                             |
| 18.0                             | 22.2      | 22.0      | 21.8      | 21.5      | 21.3      | 20.8      | 20.7      | 20.1      | 18.0                             |
| 20.0                             | 18.9      | 18.8      | 18.5      | 18.2      | 18.0      | 17.6      | 17.4      | 16.9      | 20.0                             |
| 22.0                             | 16.3      | 16.1      | 15.8      | 15.6      | 15.4      | 15.0      | 14.8      | 14.4      | 22.0                             |
| 24.0                             | 14.1      | 14.0      | 13.7      | 13.5      | 13.2      | 13.0      | 12.7      | 12.4      | 24.0                             |
| 26.0                             | 12.4      | 12.3      | 12.0      | 11.8      | 11.5      | 11.3      | 11.0      | 10.7      | 26.0                             |
| 28.0                             | 10.9      | 10.8      | 10.5      | 10.3      | 10.0      | 9.8       | 9.5       | 9.2       | 28.0                             |
| 30.0                             | 9.6       | 9.5       | 9.2       | 9.1       | 8.8       | 8.6       | 8.3       | 8.0       | 30.0                             |
| 32.0                             | 8.5       | 8.5       | 8.1       | 8.0       | 7.7       | 7.5       | 7.2       | 7.0       | 32.0                             |
| 34.0                             | 7.6       | 7.5       | 7.2       | 7.1       | 6.7       | 6.6       | 6.3       | 6.1       | 34.0                             |
| 36.0                             | 6.7       | 6.7       | 6.3       | 6.3       | 5.9       | 5.8       | 5.5       | 5.3       | 36.0                             |
| 38.0                             | 6.0       | 6.0       | 5.6       | 5.6       | 5.2       | 5.1       | 4.7       | 4.6       | 38.0                             |
| 40.0                             | 5.4       | 5.3       | 5.0       | 4.9       | 4.5       | 4.5       | 4.1       | 4.0       | 40.0                             |
| 42.0                             | 4.8       | 4.7       | 4.4       | 4.3       | 4.0       | 3.9       | 3.5       | 3.5       | 42.0                             |
| 44.0                             | 4.5 /43.1 | 4.4 /43.1 | 4.1 /43.1 | 4.1 /43.1 | 3.7 /43.1 | 3.6 /43.1 | 3.2 /43.1 | 3.2 /43.1 | 44.0                             |

| Unit: ton                        |            |            |            |            |            |            |            |            |                                  |
|----------------------------------|------------|------------|------------|------------|------------|------------|------------|------------|----------------------------------|
| Boom length (m)                  | 51         |            |            |            |            |            |            |            | Boom length (m)                  |
| Jib length (m)                   | 10         |            | 16         |            | 22         |            | 28         |            | Jib length (m)                   |
| Offset angle (deg)<br>Radius (m) | 10         | 30         | 10         | 30         | 10         | 30         | 10         | 30         | Offset angle (deg)<br>Radius (m) |
| 10.6                             | 36.0 /11.2 | 36.0 /11.2 | 36.0 /11.2 | 36.0 /11.2 | 36.0 /11.2 | 36.0 /11.2 | 36.0 /11.2 | 36.0 /11.2 | 10.6                             |
| 12.0                             | 36.0       | 36.0       | 36.0       | 36.0       | 36.0       | 36.0       | 36.0       | 35.9       | 12.0                             |
| 14.0                             | 32.2       | 31.9       | 31.6       | 31.2       | 31.0       | 30.4       | 30.3       | 29.5       | 14.0                             |
| 16.0                             | 26.4       | 26.2       | 26.0       | 25.6       | 25.5       | 24.9       | 24.9       | 24.2       | 16.0                             |
| 18.0                             | 22.1       | 21.9       | 21.7       | 21.4       | 21.2       | 20.7       | 20.6       | 20.0       | 18.0                             |
| 20.0                             | 18.8       | 18.6       | 18.3       | 18.1       | 17.9       | 17.5       | 17.4       | 16.8       | 20.0                             |
| 22.0                             | 16.2       | 16.0       | 15.7       | 15.5       | 15.3       | 14.9       | 14.7       | 14.3       | 22.0                             |
| 24.0                             | 14.0       | 13.9       | 13.6       | 13.4       | 13.1       | 12.8       | 12.6       | 12.2       | 24.0                             |
| 26.0                             | 12.2       | 12.1       | 11.8       | 11.7       | 11.4       | 11.1       | 10.9       | 10.5       | 26.0                             |
| 28.0                             | 10.8       | 10.7       | 10.4       | 10.2       | 9.9        | 9.7        | 9.4        | 9.1        | 28.0                             |
| 30.0                             | 9.5        | 9.4        | 9.1        | 9.0        | 8.6        | 8.5        | 8.2        | 7.9        | 30.0                             |
| 32.0                             | 8.4        | 8.3        | 8.0        | 7.9        | 7.6        | 7.4        | 7.1        | 6.9        | 32.0                             |
| 34.0                             | 7.4        | 7.4        | 7.0        | 6.9        | 6.6        | 6.5        | 6.2        | 6.0        | 34.0                             |
| 36.0                             | 6.6        | 6.6        | 6.2        | 6.1        | 5.8        | 5.7        | 5.3        | 5.2        | 36.0                             |
| 38.0                             | 5.9        | 5.8        | 5.5        | 5.4        | 5.1        | 5.0        | 4.6        | 4.5        | 38.0                             |
| 40.0                             | 5.2        | 5.2        | 4.8        | 4.8        | 4.4        | 4.3        | 4.0        | 3.9        | 40.0                             |
| 42.0                             | 4.6        | 4.6        | 4.2        | 4.2        | 3.8        | 3.8        | 3.4        | 3.3        | 42.0                             |
| 44.0                             | 4.1        | 4.1        | 3.7        | 3.7        | 3.3        | 3.3        | 2.9        | 2.8        | 44.0                             |
| 46.0                             | 3.7 /45.7  | 3.7 /45.7  | 3.3 /45.7  | 3.3 /45.7  | 2.9 /45.7  | 2.9 /45.7  | 2.5 /45.7  | 2.5 /45.7  | 46.0                             |

• For notes about the table above, refer to page 46.

■ Main Boom with Crane Jib (With Tower Boom Extensions)



| Unit: ton                        |           |           |           |           |           |           |           |           |                                  |
|----------------------------------|-----------|-----------|-----------|-----------|-----------|-----------|-----------|-----------|----------------------------------|
| Boom length (m)                  | 54        |           |           |           |           |           |           |           | Boom length (m)                  |
| Jib length (m)                   | 10        |           | 16        |           | 22        |           | 28        |           | Jib length (m)                   |
| Offset angle (deg)<br>Radius (m) | 10        | 30        | 10        | 30        | 10        | 30        | 10        | 30        | Offset angle (deg)<br>Radius (m) |
| 11.7                             | 36.0      | 36.0      | 36.0      | 36.0      | 36.0      | 36.0      | 35.7      | 35.5      | 11.7                             |
| 12.0                             | 36.0      | 36.0      | 36.0      | 36.0      | 36.0      | 36.0      | 35.3      | 35.1      | 12.0                             |
| 14.0                             | 31.5      | 31.2      | 30.9      | 30.5      | 30.3      | 29.7      | 29.6      | 28.8      | 14.0                             |
| 16.0                             | 26.2      | 26.0      | 25.8      | 25.4      | 25.3      | 24.7      | 24.7      | 24.0      | 16.0                             |
| 18.0                             | 21.9      | 21.7      | 21.4      | 21.1      | 21.0      | 20.5      | 20.4      | 19.8      | 18.0                             |
| 20.0                             | 18.6      | 18.4      | 18.1      | 17.9      | 17.7      | 17.3      | 17.1      | 16.6      | 20.0                             |
| 22.0                             | 15.9      | 15.8      | 15.5      | 15.3      | 15.0      | 14.7      | 14.5      | 14.1      | 22.0                             |
| 24.0                             | 13.8      | 13.7      | 13.4      | 13.2      | 12.9      | 12.6      | 12.4      | 12.0      | 24.0                             |
| 26.0                             | 12.0      | 11.9      | 11.6      | 11.4      | 11.2      | 10.9      | 10.7      | 10.3      | 26.0                             |
| 28.0                             | 10.5      | 10.4      | 10.1      | 10.0      | 9.7       | 9.4       | 9.2       | 8.9       | 28.0                             |
| 30.0                             | 9.2       | 9.2       | 8.8       | 8.7       | 8.4       | 8.2       | 7.9       | 7.7       | 30.0                             |
| 32.0                             | 8.1       | 8.1       | 7.8       | 7.6       | 7.3       | 7.2       | 6.9       | 6.6       | 32.0                             |
| 34.0                             | 7.2       | 7.1       | 6.8       | 6.7       | 6.4       | 6.2       | 5.9       | 5.7       | 34.0                             |
| 36.0                             | 6.4       | 6.3       | 6.0       | 5.9       | 5.6       | 5.4       | 5.1       | 4.9       | 36.0                             |
| 38.0                             | 5.6       | 5.6       | 5.2       | 5.2       | 4.8       | 4.7       | 4.4       | 4.2       | 38.0                             |
| 40.0                             | 5.0       | 4.9       | 4.6       | 4.5       | 4.2       | 4.1       | 3.7       | 3.6       | 40.0                             |
| 42.0                             | 4.4       | 4.3       | 4.0       | 3.9       | 3.6       | 3.5       | 3.2       | 3.0       | 42.0                             |
| 44.0                             | 3.8       | 3.8       | 3.5       | 3.4       | 3.1       | 3.0       | 2.6       | 2.6       | 44.0                             |
| 46.0                             | 3.4       | 3.3       | 3.0       | 3.0       | 2.6       | 2.5       | 2.2       | 2.1       | 46.0                             |
| 48.0                             | 2.9       | 2.9       | 2.6       | 2.5       | 2.2       | 2.1       | 1.9 /47.5 | 1.9 /47.0 | 48.0                             |
| 50.0                             | 2.9 /48.3 | 2.8 /48.3 | 2.5 /48.3 | 2.5 /48.3 | 2.1 /48.3 | 2.1 /48.3 |           |           | 50.0                             |

| Unit: ton                        |            |            |            |            |            |            |            |            |                                  |
|----------------------------------|------------|------------|------------|------------|------------|------------|------------|------------|----------------------------------|
| Boom length (m)                  | 57         |            |            |            |            |            |            |            | Boom length (m)                  |
| Jib length (m)                   | 10         |            | 16         |            | 22         |            | 28         |            | Jib length (m)                   |
| Offset angle (deg)<br>Radius (m) | 10         | 30         | 10         | 30         | 10         | 30         | 10         | 30         | Offset angle (deg)<br>Radius (m) |
| 12.0                             | 35.0 /12.3 | 35.0 /12.3 | 34.0 /12.3 | 33.9 /12.3 | 32.8 /12.3 | 32.7 /12.3 | 31.5 /12.3 | 31.3 /12.3 | 12.0                             |
| 14.0                             | 30.9       | 30.6       | 30.3       | 29.9       | 29.7       | 29.1       | 29.0       | 28.2       | 14.0                             |
| 16.0                             | 26.1       | 25.9       | 25.5       | 25.2       | 25.0       | 24.4       | 24.3       | 23.6       | 16.0                             |
| 18.0                             | 21.7       | 21.6       | 21.3       | 21.0       | 20.8       | 20.4       | 20.3       | 19.7       | 18.0                             |
| 20.0                             | 18.4       | 18.3       | 18.0       | 17.7       | 17.5       | 17.1       | 17.0       | 16.5       | 20.0                             |
| 22.0                             | 15.8       | 15.6       | 15.4       | 15.1       | 14.9       | 14.6       | 14.4       | 13.9       | 22.0                             |
| 24.0                             | 13.6       | 13.5       | 13.2       | 13.0       | 12.8       | 12.5       | 12.3       | 11.9       | 24.0                             |
| 26.0                             | 11.9       | 11.8       | 11.5       | 11.3       | 11.0       | 10.8       | 10.6       | 10.2       | 26.0                             |
| 28.0                             | 10.4       | 10.3       | 10.0       | 9.8        | 9.5        | 9.3        | 9.1        | 8.8        | 28.0                             |
| 30.0                             | 9.1        | 9.0        | 8.7        | 8.6        | 8.3        | 8.1        | 7.8        | 7.5        | 30.0                             |
| 32.0                             | 8.0        | 7.9        | 7.6        | 7.5        | 7.2        | 7.0        | 6.7        | 6.5        | 32.0                             |
| 34.0                             | 7.0        | 7.0        | 6.7        | 6.5        | 6.2        | 6.1        | 5.8        | 5.6        | 34.0                             |
| 36.0                             | 6.2        | 6.1        | 5.8        | 5.7        | 5.4        | 5.3        | 5.0        | 4.8        | 36.0                             |
| 38.0                             | 5.5        | 5.4        | 5.1        | 5.0        | 4.7        | 4.6        | 4.2        | 4.1        | 38.0                             |
| 40.0                             | 4.8        | 4.8        | 4.4        | 4.4        | 4.0        | 3.9        | 3.6        | 3.4        | 40.0                             |
| 42.0                             | 4.2        | 4.2        | 3.8        | 3.8        | 3.4        | 3.4        | 3.0        | 2.9        | 42.0                             |
| 44.0                             | 3.7        | 3.6        | 3.3        | 3.3        | 2.9        | 2.8        | 2.5        | 2.4        | 44.0                             |
| 46.0                             | 3.2        | 3.2        | 2.8        | 2.8        | 2.4        | 2.4        | 2.0        | 1.9        | 46.0                             |
| 48.0                             | 2.8        | 2.7        | 2.4        | 2.4        | 2.0        | 2.0        | 1.9 /46.5  |            | 48.0                             |
| 50.0                             | 2.4        | 2.4        | 2.0        | 2.0        | 1.9 /48.5  | 1.9 /48.5  |            |            | 50.0                             |
| 52.0                             | 2.2 /50.9  | 2.2 /50.9  | 1.9 /50.9  | 1.9 /50.4  |            |            |            |            | 52.0                             |

• For notes about the table above, refer to page 46.

■ Main Boom with Crane Jib (With Tower Boom Extensions)



| Unit: ton                        |      |      |      |      |      |      |      |           |                                  |
|----------------------------------|------|------|------|------|------|------|------|-----------|----------------------------------|
| Boom length (m)                  | 60   |      |      |      |      |      |      |           | Boom length (m)                  |
| Jib length (m)                   | 10   |      | 16   |      | 22   |      | 28   |           | Jib length (m)                   |
| Offset angle (deg)<br>Radius (m) | 10   | 30   | 10   | 30   | 10   | 30   | 10   | 30        | Offset angle (deg)<br>Radius (m) |
| 12.9                             | 24.0 | 24.0 | 24.0 | 24.0 | 24.0 | 24.0 | 24.0 | 24.0      | 12.9                             |
| 14.0                             | 24.0 | 24.0 | 24.0 | 24.0 | 24.0 | 24.0 | 24.0 | 24.0      | 14.0                             |
| 16.0                             | 24.0 | 24.0 | 24.0 | 24.0 | 24.0 | 23.9 | 23.8 | 23.1      | 16.0                             |
| 18.0                             | 21.8 | 21.6 | 21.3 | 21.0 | 20.8 | 20.4 | 20.2 | 19.6      | 18.0                             |
| 20.0                             | 18.4 | 18.3 | 18.0 | 17.7 | 17.5 | 17.1 | 17.1 | 16.5      | 20.0                             |
| 22.0                             | 15.8 | 15.6 | 15.4 | 15.1 | 14.9 | 14.6 | 14.4 | 13.9      | 22.0                             |
| 24.0                             | 13.6 | 13.5 | 13.2 | 13.0 | 12.8 | 12.5 | 12.3 | 11.9      | 24.0                             |
| 26.0                             | 11.8 | 11.7 | 11.4 | 11.3 | 11.0 | 10.7 | 10.5 | 10.2      | 26.0                             |
| 28.0                             | 10.3 | 10.2 | 9.9  | 9.8  | 9.5  | 9.3  | 9.1  | 8.7       | 28.0                             |
| 30.0                             | 9.1  | 9.0  | 8.7  | 8.5  | 8.2  | 8.0  | 7.8  | 7.5       | 30.0                             |
| 32.0                             | 8.0  | 7.9  | 7.6  | 7.4  | 7.2  | 7.0  | 6.7  | 6.4       | 32.0                             |
| 34.0                             | 7.0  | 6.9  | 6.6  | 6.5  | 6.2  | 6.0  | 5.8  | 5.5       | 34.0                             |
| 36.0                             | 6.1  | 6.1  | 5.8  | 5.7  | 5.4  | 5.2  | 4.9  | 4.7       | 36.0                             |
| 38.0                             | 5.4  | 5.3  | 5.0  | 4.9  | 4.6  | 4.5  | 4.2  | 4.0       | 38.0                             |
| 40.0                             | 4.7  | 4.7  | 4.4  | 4.3  | 4.0  | 3.8  | 3.5  | 3.4       | 40.0                             |
| 42.0                             | 4.1  | 4.1  | 3.8  | 3.7  | 3.4  | 3.3  | 2.9  | 2.8       | 42.0                             |
| 44.0                             | 3.6  | 3.5  | 3.2  | 3.2  | 2.8  | 2.7  | 2.4  | 2.3       | 44.0                             |
| 46.0                             | 3.1  | 3.1  | 2.7  | 2.7  | 2.4  | 2.3  | 1.9  | 1.9 /45.6 | 46.0                             |
| 48.0                             | 2.7  | 2.6  | 2.3  | 2.3  | 1.9  | 1.9  |      |           | 48.0                             |
| 50.0                             | 2.3  | 2.2  | 1.9  | 1.9  |      |      |      |           | 50.0                             |
| 52.0                             | 1.9  | 1.9  |      |      |      |      |      |           | 52.0                             |

| Unit: ton                        |            |            |            |            |            |            |            |            |                                  |
|----------------------------------|------------|------------|------------|------------|------------|------------|------------|------------|----------------------------------|
| Boom length (m)                  | 63         |            |            |            |            |            |            |            | Boom length (m)                  |
| Jib length (m)                   | 10         |            | 16         |            | 22         |            | 28         |            | Jib length (m)                   |
| Offset angle (deg)<br>Radius (m) | 10         | 30         | 10         | 30         | 10         | 30         | 10         | 30         | Offset angle (deg)<br>Radius (m) |
| 12.9                             | 24.0 /13.5 | 24.0 /13.5 | 24.0 /13.5 | 24.0 /13.5 | 24.0 /13.5 | 24.0 /13.5 | 23.6 /13.5 | 23.4 /13.5 | 12.9                             |
| 14.0                             | 24.0       | 24.0       | 24.0       | 24.0       | 24.0       | 24.0       | 23.2       | 23.0       | 14.0                             |
| 16.0                             | 24.0       | 24.0       | 23.4       | 23.4       | 22.4       | 22.4       | 21.4       | 21.4       | 16.0                             |
| 18.0                             | 21.3       | 21.1       | 20.8       | 20.5       | 20.3       | 19.8       | 19.7       | 19.1       | 18.0                             |
| 20.0                             | 18.2       | 18.0       | 17.8       | 17.5       | 17.3       | 16.9       | 16.8       | 16.3       | 20.0                             |
| 22.0                             | 15.5       | 15.4       | 15.1       | 14.9       | 14.7       | 14.3       | 14.2       | 13.7       | 22.0                             |
| 24.0                             | 13.4       | 13.3       | 13.0       | 12.8       | 12.6       | 12.2       | 12.1       | 11.6       | 24.0                             |
| 26.0                             | 11.6       | 11.5       | 11.2       | 11.0       | 10.8       | 10.5       | 10.3       | 9.9        | 26.0                             |
| 28.0                             | 10.1       | 10.0       | 9.7        | 9.5        | 9.3        | 9.0        | 8.8        | 8.5        | 28.0                             |
| 30.0                             | 8.8        | 8.7        | 8.4        | 8.3        | 8.0        | 7.8        | 7.6        | 7.3        | 30.0                             |
| 32.0                             | 7.7        | 7.6        | 7.3        | 7.2        | 6.9        | 6.7        | 6.5        | 6.2        | 32.0                             |
| 34.0                             | 6.8        | 6.7        | 6.4        | 6.2        | 6.0        | 5.8        | 5.5        | 5.3        | 34.0                             |
| 36.0                             | 5.9        | 5.8        | 5.5        | 5.4        | 5.1        | 5.0        | 4.7        | 4.5        | 36.0                             |
| 38.0                             | 5.2        | 5.1        | 4.8        | 4.7        | 4.4        | 4.2        | 4.0        | 3.8        | 38.0                             |
| 40.0                             | 4.5        | 4.4        | 4.1        | 4.0        | 3.7        | 3.6        | 3.3        | 3.1        | 40.0                             |
| 42.0                             | 3.9        | 3.8        | 3.5        | 3.4        | 3.1        | 3.0        | 2.7        | 2.6        | 42.0                             |
| 44.0                             | 3.3        | 3.3        | 3.0        | 2.9        | 2.6        | 2.5        | 2.2        | 2.0        | 44.0                             |
| 46.0                             | 2.9        | 2.8        | 2.5        | 2.4        | 2.1        | 2.0        | 1.9 /45.2  | 1.9 /44.5  | 46.0                             |
| 48.0                             | 2.4        | 2.4        | 2.1        | 2.0        | 1.9 /47.0  | 1.9 /46.5  |            |            | 48.0                             |
| 50.0                             | 2.0        | 2.0        | 1.9 /49.0  | 1.9 /48.5  |            |            |            |            | 50.0                             |
| 52.0                             | 1.9 /50.5  | 1.9 /50.5  |            |            |            |            |            |            | 52.0                             |

• For notes about the table above, refer to page 46.

■ Main Boom (Using Third Winch) (With Tower Boom Extensions)



| Working Radius (m) | Boom length (m) |            |            |            |            |            |            |            |           |           |            | Unit: ton          |
|--------------------|-----------------|------------|------------|------------|------------|------------|------------|------------|-----------|-----------|------------|--------------------|
|                    | 15              | 18         | 21         | 24         | 27         | 30         | 33         | 36         | 39        | 42        | 45         | Working Radius (m) |
| 4.6                | 120.0           |            |            |            |            |            |            |            |           |           |            | 4.6                |
| 5.0                | 120.0           | 108.0 /5.2 |            |            |            |            |            |            |           |           |            | 5.0                |
| 5.5                | 109.9           | 108.0      | 84.0 /5.7  |            |            |            |            |            |           |           |            | 5.5                |
| 6.0                | 101.1           | 100.9      | 84.0       | 72.0 /6.3  | 72.0 /6.8  |            |            |            |           |           |            | 6.0                |
| 7.0                | 87.0            | 86.8       | 84.0       | 72.0       | 72.0       | 60.0 /7.4  | 48.0 /7.9  |            |           |           |            | 7.0                |
| 8.0                | 76.3            | 76.1       | 75.9       | 72.0       | 72.0       | 60.0       | 48.0       | 48.0 /8.5  |           |           |            | 8.0                |
| 9.0                | 64.8            | 64.8       | 64.8       | 64.8       | 64.7       | 60.0       | 48.0       | 48.0       | 48.0      | 36.0 /9.6 |            | 9.0                |
| 10.0               | 55.4            | 55.5       | 55.4       | 55.4       | 55.3       | 55.2       | 48.0       | 48.0       | 48.0      | 36.0      | 36.0 /10.1 | 10.0               |
| 12.0               | 42.7            | 42.8       | 42.7       | 42.7       | 42.6       | 42.5       | 42.4       | 42.3       | 42.1      | 36.0      | 36.0       | 12.0               |
| 14.0               | 34.5            | 34.5       | 34.5       | 34.4       | 34.3       | 34.2       | 34.2       | 34.0       | 33.8      | 33.8      | 33.6       | 14.0               |
| 16.0               | 32.9 /14.5      | 28.8       | 28.7       | 28.7       | 28.6       | 28.4       | 28.4       | 28.2       | 28.0      | 28.0      | 27.8       | 16.0               |
| 18.0               |                 | 26.3 /17.1 | 24.5       | 24.4       | 24.3       | 24.2       | 24.1       | 23.9       | 23.7      | 23.7      | 23.5       | 18.0               |
| 20.0               |                 |            | 21.6 /19.7 | 21.1       | 21.0       | 20.9       | 20.8       | 20.6       | 20.4      | 20.4      | 20.2       | 20.0               |
| 22.0               |                 |            |            | 18.6       | 18.4       | 18.3       | 18.2       | 18.0       | 17.8      | 17.8      | 17.5       | 22.0               |
| 24.0               |                 |            |            | 18.2 /22.3 | 16.3       | 16.2       | 16.1       | 15.9       | 15.7      | 15.6      | 15.4       | 24.0               |
| 26.0               |                 |            |            |            | 15.5 /24.9 | 14.4       | 14.3       | 14.1       | 13.9      | 13.9      | 13.6       | 26.0               |
| 28.0               |                 |            |            |            |            | 13.3 /27.5 | 12.9       | 12.7       | 12.4      | 12.4      | 12.2       | 28.0               |
| 30.0               |                 |            |            |            |            |            | 11.6       | 11.4       | 11.2      | 11.1      | 10.9       | 30.0               |
| 32.0               |                 |            |            |            |            |            | 11.6 /30.1 | 10.3       | 10.1      | 10.0      | 9.8        | 32.0               |
| 34.0               |                 |            |            |            |            |            |            | 10.0 /32.7 | 9.2       | 9.1       | 8.8        | 34.0               |
| 36.0               |                 |            |            |            |            |            |            |            | 8.6 /35.3 | 8.3       | 8.0        | 36.0               |
| 38.0               |                 |            |            |            |            |            |            |            |           | 7.6 /37.9 | 7.3        | 38.0               |
| 40.0               |                 |            |            |            |            |            |            |            |           |           | 6.6        | 40.0               |
| 42.0               |                 |            |            |            |            |            |            |            |           |           | 6.5 /40.5  | 42.0               |

| Working Radius (m) | Boom length (m) |            |            |            |            |            | Unit: ton          |
|--------------------|-----------------|------------|------------|------------|------------|------------|--------------------|
|                    | 48              | 51         | 54         | 57         | 60         | 63         | Working Radius (m) |
| 10.0               | 36.0 /10.6      | 24.0 /11.2 | 24.0 /11.7 |            |            |            | 10.0               |
| 12.0               | 36.0            | 24.0       | 24.0       | 24.0 /12.3 | 24.0 /12.9 | 24.0 /13.5 | 12.0               |
| 14.0               | 33.6            | 24.0       | 24.0       | 24.0       | 24.0       | 24.0       | 14.0               |
| 16.0               | 27.8            | 24.0       | 24.0       | 24.0       | 24.0       | 24.0       | 16.0               |
| 18.0               | 23.5            | 23.3       | 23.1       | 23.0       | 22.8       | 22.2       | 18.0               |
| 20.0               | 20.1            | 20.0       | 19.8       | 19.7       | 19.7       | 19.4       | 20.0               |
| 22.0               | 17.5            | 17.4       | 17.2       | 17.0       | 17.0       | 16.8       | 22.0               |
| 24.0               | 15.4            | 15.3       | 15.0       | 14.9       | 14.9       | 14.6       | 24.0               |
| 26.0               | 13.6            | 13.5       | 13.2       | 13.1       | 13.1       | 12.9       | 26.0               |
| 28.0               | 12.1            | 12.0       | 11.8       | 11.6       | 11.6       | 11.4       | 28.0               |
| 30.0               | 10.8            | 10.7       | 10.5       | 10.3       | 10.3       | 10.1       | 30.0               |
| 32.0               | 9.8             | 9.6        | 9.4        | 9.2        | 9.2        | 9.0        | 32.0               |
| 34.0               | 8.8             | 8.7        | 8.4        | 8.3        | 8.2        | 8.0        | 34.0               |
| 36.0               | 8.0             | 7.8        | 7.6        | 7.4        | 7.4        | 7.2        | 36.0               |
| 38.0               | 7.2             | 7.1        | 6.8        | 6.7        | 6.6        | 6.4        | 38.0               |
| 40.0               | 6.6             | 6.4        | 6.2        | 6.0        | 6.0        | 5.7        | 40.0               |
| 42.0               | 6.0             | 5.8        | 5.6        | 5.4        | 5.4        | 5.1        | 42.0               |
| 44.0               | 5.7 /43.1       | 5.3        | 5.0        | 4.9        | 4.8        | 4.6        | 44.0               |
| 46.0               |                 | 4.9 /45.7  | 4.6        | 4.4        | 4.3        | 4.1        | 46.0               |
| 48.0               |                 |            | 4.1        | 4.0        | 3.9        | 3.6        | 48.0               |
| 50.0               |                 |            | 4.1 /48.3  | 3.6        | 3.5        | 3.2        | 50.0               |
| 52.0               |                 |            |            | 3.4 /50.9  | 3.1        | 2.9        | 52.0               |
| 54.0               |                 |            |            |            | 2.9 /53.2  | 2.5        | 54.0               |
| 56.0               |                 |            |            |            |            | 2.2 /55.8  | 56.0               |

- The rated loads are determined according to EN13000 rating with the machine on firm level ground.
- The figures surrounded by bold lines are based on factors other than those which would cause a tipping condition.
- To calculate the maximum load that can actually be lifted, deduct weight of all lifting accessories, such as boom hook and jib hook, from figures shown above.
- Working radius is the horizontal distance from the slewing center to the center of gravity of a lifted load.
- The counter weight is 49.6 ton.
- Correlation between the number of reeved lines, maximum rated loads, hook weights are shown in the table below.
- Cannot be used with 1 fall.

| Hook Capacity (t) | Hook Weight (t) | Maximum rated loads (t) |        |        |        |        |        |        |        |        |
|-------------------|-----------------|-------------------------|--------|--------|--------|--------|--------|--------|--------|--------|
|                   |                 | 10falls                 | 9falls | 8falls | 7falls | 6falls | 5falls | 4falls | 3falls | 2falls |
| 120               | 1.64            | 120                     | 108    | 96     | 84     | 72     | 60     | 48     | 36     | 24     |
| 80                | 1.35            |                         |        |        | 80     | 72     | 60     | 48     | 36     | 24     |
| 35                | 0.90            |                         |        |        |        |        |        |        | 35     | 24     |

■ Main Boom with Aux. Sheave (Using Third Winch) (With Tower Boom Extensions)



| Radius (m) | Boom length (m) |            |            |            |            |            |            |           |           |           |            | Unit: ton  |
|------------|-----------------|------------|------------|------------|------------|------------|------------|-----------|-----------|-----------|------------|------------|
|            | 15              | 18         | 21         | 24         | 27         | 30         | 33         | 36        | 39        | 42        | 45         | Radius (m) |
| 4.6        | 120.0           |            |            |            |            |            |            |           |           |           |            | 4.6        |
| 5.0        | 119.5           | 108.0 /5.2 |            |            |            |            |            |           |           |           |            | 5.0        |
| 5.5        | 109.1           | 108.0      | 84.0 /5.7  |            |            |            |            |           |           |           |            | 5.5        |
| 6.0        | 100.2           | 100.0      | 84.0       | 72.0 /6.3  | 72.0 /6.8  |            |            |           |           |           |            | 6.0        |
| 7.0        | 86.2            | 86.0       | 84.0       | 72.0       | 72.0       | 60.0 /7.4  | 48.0 /7.9  |           |           |           |            | 7.0        |
| 8.0        | 75.4            | 75.2       | 75.1       | 72.0       | 72.0       | 60.0       | 48.0       | 48.0 /8.5 |           |           |            | 8.0        |
| 9.0        | 64.4            | 64.4       | 64.4       | 64.4       | 64.3       | 60.0       | 48.0       | 48.0      | 48.0      | 36.0 /9.6 |            | 9.0        |
| 10.0       | 55.0            | 55.1       | 55.0       | 55.0       | 54.9       | 54.8       | 48.0       | 48.0      | 48.0      | 36.0      | 36.0 /10.1 | 10.0       |
| 12.0       | 42.4            | 42.4       | 42.3       | 42.3       | 42.2       | 42.1       | 42.0       | 41.9      | 41.7      | 36.0      | 36.0       | 12.0       |
| 14.0       | 34.2            | 34.2       | 34.1       | 34.1       | 33.9       | 33.8       | 33.7       | 33.6      | 33.4      | 33.4      | 33.1       | 14.0       |
| 16.0       | 32.6 /14.5      | 28.4       | 28.4       | 28.3       | 28.2       | 28.0       | 28.0       | 27.8      | 27.6      | 27.6      | 27.3       | 16.0       |
| 18.0       |                 | 26.0 /17.1 | 24.1       | 24.1       | 23.9       | 23.8       | 23.7       | 23.5      | 23.3      | 23.3      | 23.0       | 18.0       |
| 20.0       |                 |            | 21.3 /19.7 | 20.8       | 20.6       | 20.5       | 20.4       | 20.2      | 20.0      | 20.0      | 19.7       | 20.0       |
| 22.0       |                 |            |            | 18.2       | 18.1       | 17.9       | 17.8       | 17.6      | 17.4      | 17.4      | 17.1       | 22.0       |
| 24.0       |                 |            |            | 17.9 /22.3 | 16.0       | 15.8       | 15.7       | 15.5      | 15.3      | 15.2      | 15.0       | 24.0       |
| 26.0       |                 |            |            |            | 15.1 /24.9 | 14.1       | 14.0       | 13.8      | 13.5      | 13.5      | 13.2       | 26.0       |
| 28.0       |                 |            |            |            |            | 12.9 /27.5 | 12.5       | 12.3      | 12.1      | 12.0      | 11.7       | 28.0       |
| 30.0       |                 |            |            |            |            |            | 11.3       | 11.1      | 10.8      | 10.7      | 10.5       | 30.0       |
| 32.0       |                 |            |            |            |            |            | 11.2 /30.1 | 10.0      | 9.7       | 9.7       | 9.4        | 32.0       |
| 34.0       |                 |            |            |            |            |            |            | 9.6 /32.7 | 8.8       | 8.7       | 8.5        | 34.0       |
| 36.0       |                 |            |            |            |            |            |            |           | 8.3 /35.3 | 7.9       | 7.6        | 36.0       |
| 38.0       |                 |            |            |            |            |            |            |           |           | 7.2 /37.9 | 6.9        | 38.0       |
| 40.0       |                 |            |            |            |            |            |            |           |           |           | 6.3        | 40.0       |
| 42.0       |                 |            |            |            |            |            |            |           |           |           | 6.1 /40.5  | 42.0       |

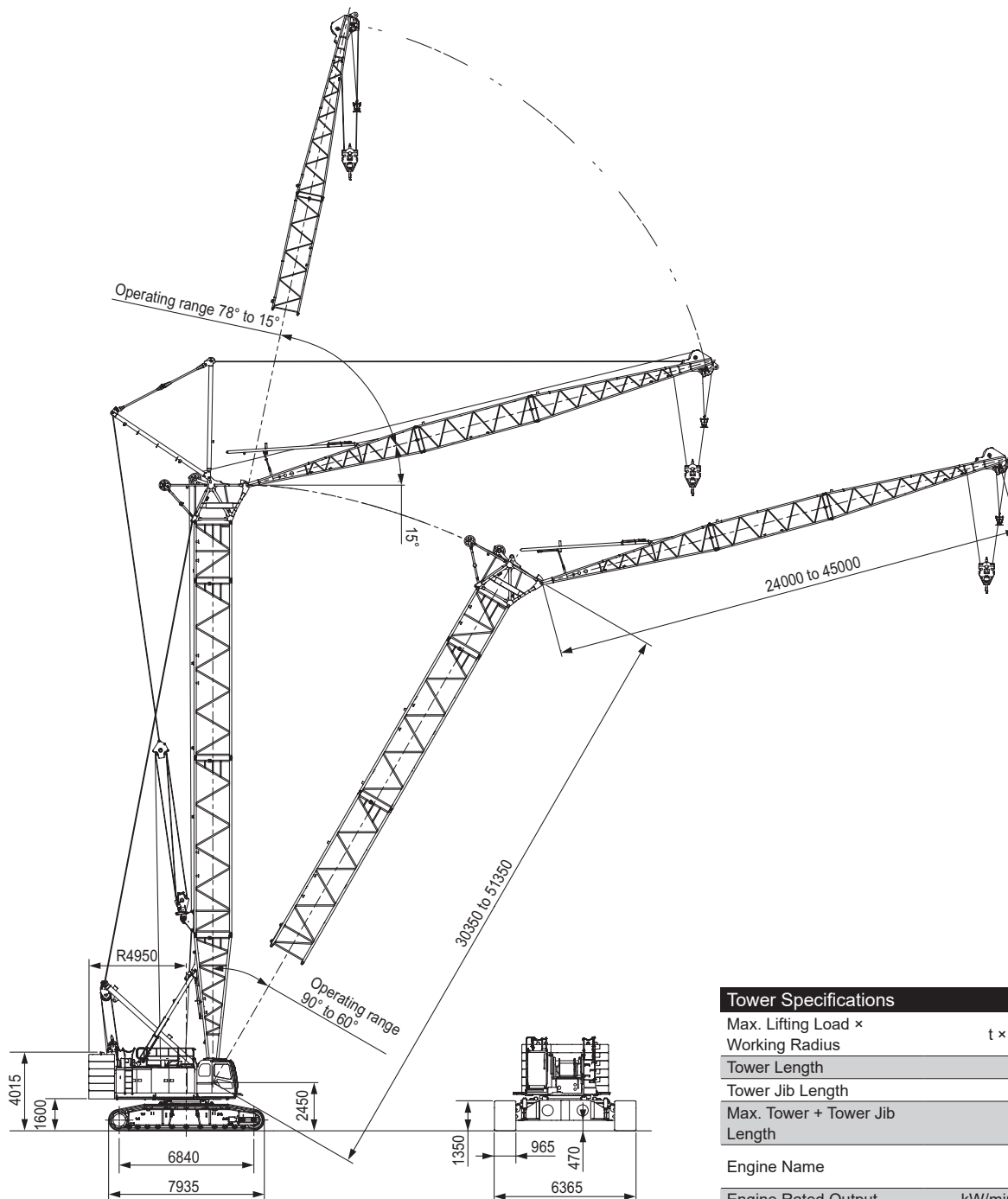
| Radius (m) | Boom length (m) |            |            |            |            |            | Unit: ton  |
|------------|-----------------|------------|------------|------------|------------|------------|------------|
|            | 48              | 51         | 54         | 57         | 60         | 63         | Radius (m) |
| 10.0       | 36.0 /10.6      | 24.0 /11.2 | 24.0 /11.7 |            |            |            | 10.0       |
| 12.0       | 36.0            | 24.0       | 24.0       | 24.0 /12.3 | 24.0 /12.9 | 24.0 /13.5 | 12.0       |
| 14.0       | 33.1            | 24.0       | 24.0       | 24.0       | 24.0       | 24.0       | 14.0       |
| 16.0       | 27.3            | 24.0       | 24.0       | 24.0       | 24.0       | 24.0       | 16.0       |
| 18.0       | 23.0            | 22.9       | 22.6       | 22.5       | 22.1       | 21.5       | 18.0       |
| 20.0       | 19.7            | 19.6       | 19.3       | 19.2       | 19.2       | 18.7       | 20.0       |
| 22.0       | 17.1            | 16.9       | 16.7       | 16.6       | 16.5       | 16.3       | 22.0       |
| 24.0       | 14.9            | 14.8       | 14.6       | 14.4       | 14.4       | 14.2       | 24.0       |
| 26.0       | 13.2            | 13.0       | 12.8       | 12.7       | 12.6       | 12.4       | 26.0       |
| 28.0       | 11.7            | 11.6       | 11.3       | 11.2       | 11.1       | 10.9       | 28.0       |
| 30.0       | 10.4            | 10.3       | 10.0       | 9.9        | 9.8        | 9.6        | 30.0       |
| 32.0       | 9.3             | 9.2        | 8.9        | 8.8        | 8.7        | 8.5        | 32.0       |
| 34.0       | 8.4             | 8.3        | 8.0        | 7.8        | 7.8        | 7.5        | 34.0       |
| 36.0       | 7.6             | 7.4        | 7.2        | 7.0        | 6.9        | 6.7        | 36.0       |
| 38.0       | 6.8             | 6.7        | 6.4        | 6.3        | 6.2        | 5.9        | 38.0       |
| 40.0       | 6.2             | 6.0        | 5.8        | 5.6        | 5.5        | 5.3        | 40.0       |
| 42.0       | 5.6             | 5.4        | 5.2        | 5.0        | 4.9        | 4.7        | 42.0       |
| 44.0       | 5.3 /43.1       | 4.9        | 4.6        | 4.5        | 4.4        | 4.1        | 44.0       |
| 46.0       |                 | 4.5 /45.7  | 4.2        | 4.0        | 3.9        | 3.6        | 46.0       |
| 48.0       |                 |            | 3.7        | 3.6        | 3.5        | 3.2        | 48.0       |
| 50.0       |                 |            | 3.7 /48.3  | 3.2        | 3.1        | 2.8        | 50.0       |
| 52.0       |                 |            |            | 3.0 /50.9  | 2.7        | 2.4        | 52.0       |
| 54.0       |                 |            |            |            | 2.5 /53.2  | 2.1        | 54.0       |
| 56.0       |                 |            |            |            |            | 1.9 /55.4  | 56.0       |

1. The rated loads are determined according to EN13000 rating with the machine on firm level ground.
2. The figures surrounded by bold lines are based on factors other than those which would cause a tipping condition.
3. To calculate the maximum load that can actually be lifted, deduct weight of all lifting accessories, such as boom hook and jib hook, from figures shown above.
4. Working radius is the horizontal distance from the slewing center to the center of gravity of a lifted load.
5. The counter weight is 49.6 ton.
6. Correlation between the number of reeved lines, maximum rated loads, hook weights are shown in the table below.
7. Cannot be used with 1 fall.

| Hook Capacity (t) | Hook Weight (t) | Maximum rated loads (t) |        |        |        |        |        |        |        |        |  |
|-------------------|-----------------|-------------------------|--------|--------|--------|--------|--------|--------|--------|--------|--|
|                   |                 | 10falls                 | 9falls | 8falls | 7falls | 6falls | 5falls | 4falls | 3falls | 2falls |  |
| 120               | 1.64            | 120                     | 108    | 96     | 84     | 72     | 60     | 48     | 36     | 24     |  |
| 80                | 1.35            |                         |        |        | 80     | 72     | 60     | 48     | 36     | 24     |  |
| 35                | 0.90            |                         |        |        |        |        |        | 35     | 24     |        |  |

# Tower Specifications

## Dimensions and Specifications



### Tower Specifications

|                                    |                               |   |
|------------------------------------|-------------------------------|---|
| Max. Lifting Load × Working Radius | t × m                         | 20 × 14.0   |
| Tower Length                       | m                             | 30.35 to 51.35                                    |
| Tower Jib Length                   | m                             | 24 to 45  |
| Max. Tower + Tower Jib Length      | m                             | 51.35 + 45  |
| Engine Name                        |                               | ISUZU 6HK1 (Stage IIIA)                           |
| Engine Rated Output Power          | kW/min <sup>-1</sup> (ps/rpm) | 200.6 / 1,850 (272 / 1,850)                       |
| Ground Contact Pressure            | kPa (kgf/cm <sup>2</sup> )    | 102 (1.04) (Max. Tower + Tower Jib Length)        |
| Overall Operating Weight           | t                             | Approximately 137 (Max. Tower + Tower Jib Length) |

#### Note :

- Speeds marked with "\*" may vary depending on load applied.
- SI units are used for specifications. In parenthesis, conventional units are also indicated.

# Tower and Tower Jib Configurations

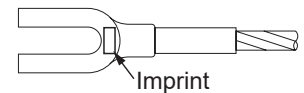
| Tower            |                           |
|------------------|---------------------------|
| Tower Length (m) | Tower Boom Configurations |
| 30.35            |                           |
| 33.35            |                           |
| 36.35            |                           |
| 39.35            |                           |

| Tower            |                           |
|------------------|---------------------------|
| Tower Length (m) | Tower Boom Configurations |
| 42.35            |                           |
| 45.35            |                           |
| 48.35            |                           |
| 51.35            |                           |

Check the boom pendant rope with referring to the imprints on the rope end.

| Dimensions Not Shown In The Figure |                       |                             |
|------------------------------------|-----------------------|-----------------------------|
| Symbols                            | Tower Boom Length (m) | Note                        |
| 1.85                               | 1.85                  |                             |
| 3                                  | 3                     |                             |
| 6                                  | 6                     |                             |
| 7.5                                | 7.5                   |                             |
| 9                                  | 9                     |                             |
| 9B                                 | 9                     | Jib Lower Spreader Attached |
| 9C                                 | 9                     | With Rail                   |

| Pendant Rope |            |                    |                        |
|--------------|------------|--------------------|------------------------|
| Symbols      | Length (m) | Rope Diameter (mm) | Imprint                |
| 2.6          | 2.55       | 40                 | □ • △ • 40 • 2.55 • C  |
| 3            | 3          | 40                 | □ • △ • 40 • 3 • C     |
| 6            | 6          | 40                 | □ • △ • 40 • 6 • C     |
| 9            | 9          | 40                 | □ • △ • 40 • 9 • C     |
| 3            | 3          | 32                 | □ • △ • 32 • 3 • C     |
| 6            | 6          | 32                 | □ • △ • 32 • 6 • C     |
| 9            | 9          | 32                 | □ • △ • 32 • 9 • C     |
| 10           | 10.15      | 32                 | □ • △ • 32 • 10.15 • C |





# Tower and Tower Jib Configurations

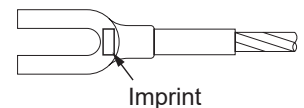
| Tower Jib            |                           |
|----------------------|---------------------------|
| Tower Jib Length (m) | Tower Boom Configurations |
| 24                   |                           |
| 27                   |                           |
| 30                   |                           |
| 33                   |                           |

| Tower Jib            |                           |
|----------------------|---------------------------|
| Tower Jib Length (m) | Tower Boom Configurations |
| 36                   |                           |
| 39                   |                           |
| 42                   |                           |
| 45                   |                           |

| Dimensions Not Shown In The Figure |                      |      |
|------------------------------------|----------------------|------|
| Symbols                            | Tower Jib Length (m) | Note |
| 3                                  | 3                    |      |
| 6                                  | 6                    |      |
| 9                                  | 9                    |      |

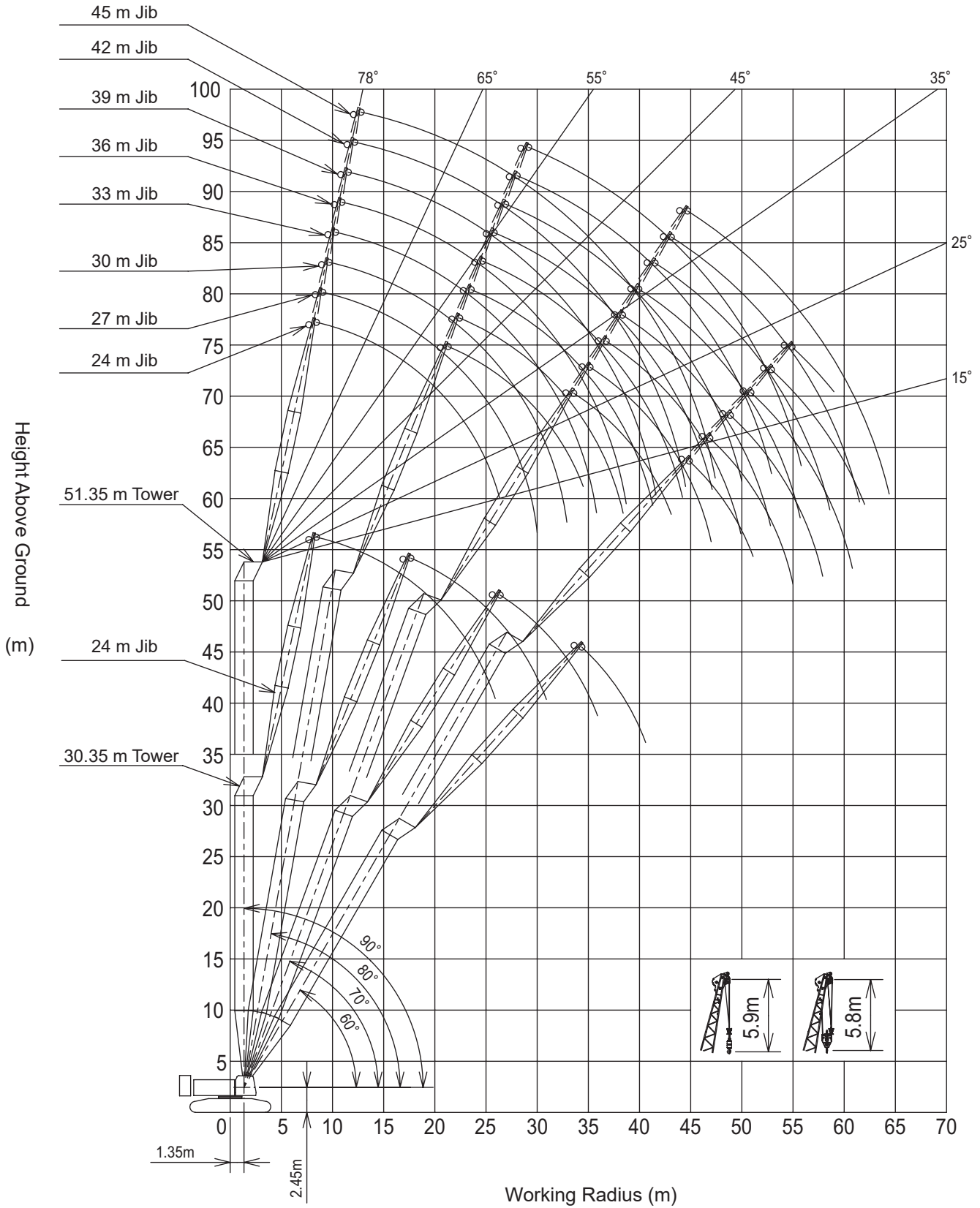
Check the tower jib pendant rope with referring to the imprints on the rope end.

| Tower Jib Pendant Rope |  |                    |                      |
|------------------------|--|--------------------|----------------------|
| Symbols                | Length (m)   | Rope Diameter (mm) | Imprint              |
| 3                      | 3  | 32                 | □ • △ • 32 • 3 • C   |
| 6                      | 6  | 32                 | □ • △ • 32 • 6 • C   |
| 9                      | 9  | 32                 | □ • △ • 32 • 9 • C   |
| 8.5                    | 8.5<br>(Fittings with female connections at both ends) | 32                 | □ • △ • 32 • 8.5 • C |



# Working Ranges

## Tower Boom



## Gross Rated Load Table

### 30.35 m Tower



Unit: ton

| Tower Length (m)                | 30.35    |            |           |           | Tower Length (m)                |
|---------------------------------|----------|------------|-----------|-----------|---------------------------------|
| Jib Length (m)                  | 24       |            |           |           | Jib Length (m)                  |
| Tower Angle (deg)<br>Radius (m) | 90       | 80         | 70        | 60        | Tower Angle (deg)<br>Radius (m) |
| 8.8                             | 20.0     |            |           |           | 8.8                             |
| 10.0                            | 20.0     |            |           |           | 10.0                            |
| 12.0                            | 20.0     |            |           |           | 12.0                            |
| 14.0                            | 20.0     |            |           |           | 14.0                            |
| 16.0                            | 20.0     | 18.4 /17.4 |           |           | 16.0                            |
| 18.0                            | 19.2     | 17.7       |           |           | 18.0                            |
| 20.0                            | 16.8     | 15.5       |           |           | 20.0                            |
| 22.0                            | 15.0     | 13.8       |           |           | 22.0                            |
| 24.0                            | 13.1     | 12.4       |           |           | 24.0                            |
| 26.0                            | 8.7/25.9 | 11.2       | 10.2      |           | 26.0                            |
| 28.0                            |          | 10.2       | 9.3       |           | 28.0                            |
| 30.0                            |          | 9.4        | 8.5       |           | 30.0                            |
| 32.0                            |          | 9.0 /30.9  | 7.9       | 6.6 /33.9 | 32.0                            |
| 34.0                            |          |            | 7.3       | 6.5       | 34.0                            |
| 36.0                            |          |            | 6.7 /35.9 | 6.1       | 36.0                            |
| 38.0                            |          |            |           | 5.7       | 38.0                            |
| 40.0                            |          |            |           | 5.3       | 40.0                            |
| 42.0                            |          |            |           | 5.2 /40.6 | 42.0                            |

### 33.35 m Tower

Unit: ton

| Tower Length (m)                | 33.35    |           |            |           |          |            |           |           | Tower Length (m)                |
|---------------------------------|----------|-----------|------------|-----------|----------|------------|-----------|-----------|---------------------------------|
| Jib Length (m)                  | 24       |           |            |           | 27       |            |           |           | Jib Length (m)                  |
| Tower Angle (deg)<br>Radius (m) | 90       | 80        | 70         | 60        | 90       | 80         | 70        | 60        | Tower Angle (deg)<br>Radius (m) |
| 8.8                             | 20.0     |           |            |           | 20.0/9.5 |            |           |           | 8.8                             |
| 10.0                            | 20.0     |           |            |           | 20.0     |            |           |           | 10.0                            |
| 12.0                            | 20.0     |           |            |           | 20.0     |            |           |           | 12.0                            |
| 14.0                            | 20.0     |           |            |           | 20.0     |            |           |           | 14.0                            |
| 16.0                            | 20.0     |           |            |           | 20.0     |            |           |           | 16.0                            |
| 18.0                            | 19.2     | 17.5      |            |           | 19.1     | 16.1 /19.1 |           |           | 18.0                            |
| 20.0                            | 16.9     | 15.3      |            |           | 16.8     | 15.2       |           |           | 20.0                            |
| 22.0                            | 15.0     | 13.6      |            |           | 14.9     | 13.5       |           |           | 22.0                            |
| 24.0                            | 13.1     | 12.2      |            |           | 13.4     | 12.1       |           |           | 24.0                            |
| 26.0                            | 9.0/25.9 | 11.1      | 9.40 /27.1 |           | 12.0     | 11.0       |           |           | 26.0                            |
| 28.0                            |          | 10.1      | 9.0        |           | 9.7      | 10.0       | 8.6 /28.7 |           | 28.0                            |
| 30.0                            |          | 9.3       | 8.3        |           | 5.5/29.8 | 9.2        | 8.2       |           | 30.0                            |
| 32.0                            |          | 8.7 /31.4 | 7.6        |           |          | 8.5        | 7.5       |           | 32.0                            |
| 34.0                            |          |           | 7.1        | 5.9 /35.4 |          | 7.8        | 7.0       |           | 34.0                            |
| 36.0                            |          |           | 6.6        | 5.8       |          | 7.6 /35.3  | 6.5       | 5.4 /37.4 | 36.0                            |
| 38.0                            |          |           | 6.3 /37.0  | 5.4       |          |            | 6.0       | 5.3       | 38.0                            |
| 40.0                            |          |           |            | 5.1       |          |            | 5.6       | 5.0       | 40.0                            |
| 42.0                            |          |           |            | 4.7       |          |            | 5.5 /40.9 | 4.6       | 42.0                            |
| 44.0                            |          |           |            | 4.7/42.1  |          |            |           | 4.3       | 44.0                            |
| 46.0                            |          |           |            |           |          |            |           | 4.1       | 46.0                            |

- The rated loads are determined according to EN13000 rating on the condition that the machine is stationed on firm, level ground.
- The figures surrounded by bold lines are based on factors other than those which would cause a tipping condition.
- To calculate the maximum load that can actually be lifted, deduct weight of all lifting accessories, such as boom hook and jib hook, from figures shown above.

| Hook Capacity (t) | Hook Weight (t) |
|-------------------|-----------------|
| 35                | 0.90            |
| 12                | 0.51            |

- Working radius is the horizontal distance from the slewing center to the center of gravity of a lifted load.
- The counter weight is 49.6 ton.
- 1 reeving line on 24m jib is not permitted.

■ 36.35 m Tower



| Tower Length<br>(m)                   | 36.35 |            |           |           |          |            |           |           |           |            |           |           | Unit: ton                             |                   |
|---------------------------------------|-------|------------|-----------|-----------|----------|------------|-----------|-----------|-----------|------------|-----------|-----------|---------------------------------------|-------------------|
|                                       | 24    |            |           |           | 27       |            |           |           | 30        |            |           |           | Tower Length<br>(m)                   | Jib Length<br>(m) |
| Tower Angle<br>(deg)<br>Radius<br>(m) | 90    | 80         | 70        | 60        | 90       | 80         | 70        | 60        | 90        | 80         | 70        | 60        | Tower Angle<br>(deg)<br>Radius<br>(m) |                   |
| 8.9                                   | 20.0  |            |           |           | 20.0/9.5 |            |           |           |           |            |           |           | 8.9                                   |                   |
| 10.0                                  | 20.0  |            |           |           | 20.0     |            |           |           | 20.0/10.2 |            |           |           | 10.0                                  |                   |
| 12.0                                  | 20.0  |            |           |           | 20.0     |            |           |           | 20.0      |            |           |           | 12.0                                  |                   |
| 14.0                                  | 20.0  |            |           |           | 20.0     |            |           |           | 20.0      |            |           |           | 14.0                                  |                   |
| 16.0                                  | 20.0  |            |           |           | 20.0     |            |           |           | 20.0      |            |           |           | 16.0                                  |                   |
| 18.0                                  | 19.2  | 16.7 /18.5 |           |           | 19.2     | 15.4 /19.6 |           |           | 19.1      |            |           |           | 18.0                                  |                   |
| 20.0                                  | 16.9  | 15.2       |           |           | 16.8     | 15.0       |           |           | 16.7      | 14.3 /20.7 |           |           | 20.0                                  |                   |
| 22.0                                  | 15.0  | 13.5       |           |           | 14.9     | 13.4       |           |           | 14.9      | 13.2       |           |           | 22.0                                  |                   |
| 24.0                                  | 13.2  | 12.2       |           |           | 13.4     | 12.0       |           |           | 13.3      | 11.9       |           |           | 24.0                                  |                   |
| 26.0                                  | 8.9   | 11.1       |           |           | 12.0     | 10.8       |           |           | 12.1      | 10.7       |           |           | 26.0                                  |                   |
| 28.0                                  |       | 10.1       | 8.7 /28.1 |           | 10.0     | 9.9        | 8.0 /29.7 |           | 10.9      | 9.8        |           |           | 28.0                                  |                   |
| 30.0                                  |       | 9.3        | 8.1       |           | 5.4/29.9 | 9.1        | 7.9       |           | 9.5       | 9.0        | 7.4 /31.3 |           | 30.0                                  |                   |
| 32.0                                  |       | 8.1 /31.9  | 7.4       |           |          | 8.4        | 7.3       |           | 6.5       | 8.3        | 7.2       |           | 32.0                                  |                   |
| 34.0                                  |       |            | 6.9       |           |          | 7.7        | 6.8       |           | 5.4/32.8  | 7.7        | 6.6       |           | 34.0                                  |                   |
| 36.0                                  |       |            | 6.4       | 5.4 /36.9 |          | 7.3 /35.8  | 6.3       |           |           | 7.1        | 6.2       |           | 36.0                                  |                   |
| 38.0                                  |       |            | 5.8       | 5.2       |          |            | 5.8       | 4.9 /38.9 |           | 6.5        | 5.7       |           | 38.0                                  |                   |
| 40.0                                  |       |            |           | 4.8       |          |            | 5.5       | 4.7       |           | 6.4 /38.7  | 5.4       | 4.4 /40.9 | 40.0                                  |                   |
| 42.0                                  |       |            |           | 4.5       |          |            | 5.1 /41.9 | 4.4       |           |            | 5.0       | 4.3       | 42.0                                  |                   |
| 44.0                                  |       |            |           | 4.2/43.6  |          |            |           | 4.1       |           |            | 4.6       | 4.0       | 44.0                                  |                   |
| 46.0                                  |       |            |           |           |          |            |           | 3.9       |           |            | 4.5 /44.8 | 3.7       | 46.0                                  |                   |
| 48.0                                  |       |            |           |           |          |            |           | 3.7 /47.5 |           |            |           | 3.5       | 48.0                                  |                   |
| 50.0                                  |       |            |           |           |          |            |           |           |           |            |           | 3.2       | 50.0                                  |                   |
| 52.0                                  |       |            |           |           |          |            |           |           |           |            |           | 3.2/50.4  | 52.0                                  |                   |

• For notes about the table above, refer to page 59.

39.35 m Tower



| Tower Length (m)                | 39.35 |           |          |          |          |           |          |          |           |           |          |          | Unit: ton                       |                |
|---------------------------------|-------|-----------|----------|----------|----------|-----------|----------|----------|-----------|-----------|----------|----------|---------------------------------|----------------|
|                                 | 24    |           |          |          | 27       |           |          |          | 30        |           |          |          | Tower Length (m)                | Jib Length (m) |
| Tower Angle (deg)<br>Radius (m) | 90    | 80        | 70       | 60       | 90       | 80        | 70       | 60       | 90        | 80        | 70       | 60       | Tower Angle (deg)<br>Radius (m) | Jib Length (m) |
| 8.9                             | 20.0  |           |          |          | 20.0/9.5 |           |          |          |           |           |          |          | 8.9                             |                |
| 10.0                            | 20.0  |           |          |          | 20.0     |           |          |          | 20.0/10.2 |           |          |          | 10.0                            |                |
| 12.0                            | 20.0  |           |          |          | 20.0     |           |          |          | 20.0      |           |          |          | 12.0                            |                |
| 14.0                            | 20.0  |           |          |          | 20.0     |           |          |          | 20.0      |           |          |          | 14.0                            |                |
| 16.0                            | 20.0  |           |          |          | 20.0     |           |          |          | 20.0      |           |          |          | 16.0                            |                |
| 18.0                            | 19.3  | 16.0/19.0 |          |          | 19.2     |           |          |          | 19.1      |           |          |          | 18.0                            |                |
| 20.0                            | 16.9  | 15.0      |          |          | 16.8     | 14.8/20.1 |          |          | 16.7      | 13.7/21.2 |          |          | 20.0                            |                |
| 22.0                            | 15.0  | 13.3      |          |          | 14.9     | 13.2      |          |          | 14.9      | 13.1      |          |          | 22.0                            |                |
| 24.0                            | 13.2  | 12.0      |          |          | 13.4     | 11.9      |          |          | 13.3      | 11.7      |          |          | 24.0                            |                |
| 26.0                            | 9.1   | 10.8      |          |          | 12.0     | 10.7      |          |          | 12.1      | 10.6      |          |          | 26.0                            |                |
| 28.0                            |       | 9.9       | 8.2/29.1 |          | 10.2     | 9.8       |          |          | 10.9      | 9.7       |          |          | 28.0                            |                |
| 30.0                            |       | 9.1       | 7.8      |          | 5.5/29.9 | 9.0       | 7.5/30.7 |          | 9.5       | 8.9       |          |          | 30.0                            |                |
| 32.0                            |       | 8.4       | 7.2      |          |          | 8.3       | 7.1      |          | 6.7       | 8.2       | 6.9/32.3 |          | 32.0                            |                |
| 34.0                            |       | 8.1/32.5  | 6.7      |          |          | 7.7       | 6.6      |          | 5.6/32.8  | 7.6       | 6.5      |          | 34.0                            |                |
| 36.0                            |       |           | 6.2      |          |          | 7.1       | 6.1      |          |           | 7.0       | 6.0      |          | 36.0                            |                |
| 38.0                            |       |           | 5.8      | 4.8/38.4 |          | 7.0/36.4  | 5.7      |          |           | 6.5       | 5.6      |          | 38.0                            |                |
| 40.0                            |       |           | 5.5/39.0 | 4.6      |          |           | 5.3      | 4.4/40.4 |           | 6.3/39.3  | 5.2      |          | 40.0                            |                |
| 42.0                            |       |           |          | 4.3      |          |           | 4.9      | 4.2      |           |           | 4.9      | 4.0/42.4 | 42.0                            |                |
| 44.0                            |       |           |          | 4.0      |          |           | 4.8/42.9 | 3.9      |           |           | 4.6      | 3.8      | 44.0                            |                |
| 46.0                            |       |           |          | 3.8/45.1 |          |           |          | 3.7      |           |           | 4.2/45.8 | 3.5      | 46.0                            |                |
| 48.0                            |       |           |          |          |          |           |          | 3.4      |           |           |          | 3.3      | 48.0                            |                |
| 50.0                            |       |           |          |          |          |           |          | 3.3/49.0 |           |           |          | 3.1      | 50.0                            |                |
| 52.0                            |       |           |          |          |          |           |          |          |           |           |          | 2.9/51.9 | 52.0                            |                |

| Tower Length (m)                | 39.35     |           |          |          | Unit: ton                       |                |
|---------------------------------|-----------|-----------|----------|----------|---------------------------------|----------------|
|                                 | 33        |           |          |          | Tower Length (m)                | Jib Length (m) |
| Tower Angle (deg)<br>Radius (m) | 90        | 80        | 70       | 60       | Tower Angle (deg)<br>Radius (m) | Jib Length (m) |
| 10.0                            | 20.0/10.8 |           |          |          | 10.0                            |                |
| 12.0                            | 20.0      |           |          |          | 12.0                            |                |
| 14.0                            | 20.0      |           |          |          | 14.0                            |                |
| 16.0                            | 18.9      |           |          |          | 16.0                            |                |
| 18.0                            | 17.9      |           |          |          | 18.0                            |                |
| 20.0                            | 16.7      |           |          |          | 20.0                            |                |
| 22.0                            | 14.8      | 12.7/22.4 |          |          | 22.0                            |                |
| 24.0                            | 13.3      | 11.7      |          |          | 24.0                            |                |
| 26.0                            | 12.0      | 10.5      |          |          | 26.0                            |                |
| 28.0                            | 11.0      | 9.6       |          |          | 28.0                            |                |
| 30.0                            | 9.9       | 8.8       |          |          | 30.0                            |                |
| 32.0                            | 8.8       | 8.1       | 6.4/33.9 |          | 32.0                            |                |
| 34.0                            | 7.4       | 7.5       | 6.4      |          | 34.0                            |                |
| 36.0                            | 4.6/35.7  | 7.0       | 5.9      |          | 36.0                            |                |
| 38.0                            |           | 6.5       | 5.5      |          | 38.0                            |                |
| 40.0                            |           | 6.1       | 5.1      |          | 40.0                            |                |
| 42.0                            |           | 5.6       | 4.8      |          | 42.0                            |                |
| 44.0                            |           | 5.6/42.2  | 4.5      | 3.6/44.4 | 44.0                            |                |
| 46.0                            |           |           | 4.2      | 3.5      | 46.0                            |                |
| 48.0                            |           |           | 3.9      | 3.2      | 48.0                            |                |
| 50.0                            |           |           | 3.9/48.7 | 3.0      | 50.0                            |                |
| 52.0                            |           |           |          | 2.9      | 52.0                            |                |
| 54.0                            |           |           |          | 2.6      | 54.0                            |                |
| 56.0                            |           |           |          | 2.6/54.8 | 56.0                            |                |

• For notes about the table above, refer to page 59.

42.35 m Tower



| 42.35                           |          |            |           |           |          |            |           |           |           |            |           |           | Unit: ton                       |  |
|---------------------------------|----------|------------|-----------|-----------|----------|------------|-----------|-----------|-----------|------------|-----------|-----------|---------------------------------|--|
| Tower Length (m)                |          |            |           |           |          |            |           |           |           |            |           |           | Tower Length (m)                |  |
| Jib Length (m)                  | 24       |            |           |           | 27       |            |           |           | 30        |            |           |           | Jib Length (m)                  |  |
| Tower Angle (deg)<br>Radius (m) | 90       | 80         | 70        | 60        | 90       | 80         | 70        | 60        | 90        | 80         | 70        | 60        | Tower Angle (deg)<br>Radius (m) |  |
| 8.9                             | 20.0/8.9 |            |           |           | 20.0/9.6 |            |           |           |           |            |           |           | 8.9                             |  |
| 10.0                            | 20.0     |            |           |           | 20.0     |            |           |           | 20.0/10.2 |            |           |           | 10.0                            |  |
| 12.0                            | 20.0     |            |           |           | 20.0     |            |           |           | 20.0      |            |           |           | 12.0                            |  |
| 14.0                            | 20.0     |            |           |           | 20.0     |            |           |           | 20.0      |            |           |           | 14.0                            |  |
| 16.0                            | 20.0     |            |           |           | 20.0     |            |           |           | 20.0      |            |           |           | 16.0                            |  |
| 18.0                            | 19.3     | 15.3 /19.5 |           |           | 19.2     |            |           |           | 19.1      |            |           |           | 18.0                            |  |
| 20.0                            | 16.9     | 14.8       |           |           | 16.8     | 14.2 /20.6 |           |           | 16.7      | 13.1 /21.8 |           |           | 20.0                            |  |
| 22.0                            | 15.0     | 13.2       |           |           | 15.0     | 13.1       |           |           | 14.9      | 12.9       |           |           | 22.0                            |  |
| 24.0                            | 13.2     | 11.8       |           |           | 13.4     | 11.7       |           |           | 13.3      | 11.6       |           |           | 24.0                            |  |
| 26.0                            | 9.2      | 10.7       |           |           | 12.0     | 10.6       |           |           | 12.1      | 10.5       |           |           | 26.0                            |  |
| 28.0                            |          | 9.8        |           |           | 10.2     | 9.7        |           |           | 10.9      | 9.6        |           |           | 28.0                            |  |
| 30.0                            |          | 9.0        | 7.6 /30.1 |           | 5.9/29.9 | 8.9        | 7.0 /31.7 |           | 9.5       | 8.8        |           |           | 30.0                            |  |
| 32.0                            |          | 8.3        | 7.0       |           |          | 8.2        | 6.9       |           | 6.9       | 8.1        | 6.4 /33.3 |           | 32.0                            |  |
| 34.0                            |          | 7.9 /33.0  | 6.5       |           |          | 7.6        | 6.4       |           | 5.9/32.8  | 7.5        | 6.3       |           | 34.0                            |  |
| 36.0                            |          |            | 6.0       |           |          | 7.0        | 5.9       |           |           | 6.9        | 5.8       |           | 36.0                            |  |
| 38.0                            |          |            | 5.6       | 4.4 /39.9 |          | 6.8 /36.9  | 5.5       |           |           | 6.5        | 5.4       |           | 38.0                            |  |
| 40.0                            |          |            | 5.2       | 4.3       |          |            | 5.1       | 4.0 /41.9 |           | 6.0 /39.8  | 5.0       |           | 40.0                            |  |
| 42.0                            |          |            |           | 4.1       |          |            | 4.8       | 3.9       |           |            | 4.7       | 3.6 /43.9 | 42.0                            |  |
| 44.0                            |          |            |           | 3.8       |          |            | 4.5 /43.9 | 3.7       |           |            | 4.4       | 3.5       | 44.0                            |  |
| 46.0                            |          |            |           | 3.6       |          |            |           | 3.5       |           |            | 4.1       | 3.3       | 46.0                            |  |
| 48.0                            |          |            |           | 3.4 /46.6 |          |            |           | 3.2       |           |            | 4.0 /46.8 | 3.1       | 48.0                            |  |
| 50.0                            |          |            |           |           |          |            |           | 3.0       |           |            |           | 2.9       | 50.0                            |  |
| 52.0                            |          |            |           |           |          |            |           | 3.0/50.5  |           |            |           | 2.8       | 52.0                            |  |
| 54.0                            |          |            |           |           |          |            |           |           |           |            |           | 2.6 /53.4 | 54.0                            |  |

| 42.35                           |           |            |           |           |           |           |           |           |                                 | Unit: ton |  |
|---------------------------------|-----------|------------|-----------|-----------|-----------|-----------|-----------|-----------|---------------------------------|-----------|--|
| Tower Length (m)                |           |            |           |           |           |           |           |           | Tower Length (m)                |           |  |
| Jib Length (m)                  | 33        |            |           |           | 36        |           |           |           | Jib Length (m)                  |           |  |
| Tower Angle (deg)<br>Radius (m) | 90        | 80         | 70        | 60        | 90        | 80        | 70        | 60        | Tower Angle (deg)<br>Radius (m) |           |  |
| 10.0                            | 16.8/10.9 |            |           |           | 15.1/11.5 |           |           |           | 10.0                            |           |  |
| 12.0                            | 16.2      |            |           |           | 15.1      |           |           |           | 12.0                            |           |  |
| 14.0                            | 15.3      |            |           |           | 14.2      |           |           |           | 14.0                            |           |  |
| 16.0                            | 14.4      |            |           |           | 13.4      |           |           |           | 16.0                            |           |  |
| 18.0                            | 13.7      |            |           |           | 12.8      |           |           |           | 18.0                            |           |  |
| 20.0                            | 13.1      |            |           |           | 12.2      |           |           |           | 20.0                            |           |  |
| 22.0                            | 12.6      | 12.2 /22.9 |           |           | 11.7      |           |           |           | 22.0                            |           |  |
| 24.0                            | 12.2      | 11.5       |           |           | 11.2      | 11.4      |           |           | 24.0                            |           |  |
| 26.0                            | 11.9      | 10.4       |           |           | 10.9      | 10.3      |           |           | 26.0                            |           |  |
| 28.0                            | 11.0      | 9.5        |           |           | 10.6      | 9.4       |           |           | 28.0                            |           |  |
| 30.0                            | 9.9       | 8.7        |           |           | 10.0      | 8.6       |           |           | 30.0                            |           |  |
| 32.0                            | 8.8       | 8.0        |           |           | 9.1       | 7.9       |           |           | 32.0                            |           |  |
| 34.0                            | 7.5       | 7.4        | 6.0 /34.9 |           | 8.1       | 7.3       |           |           | 34.0                            |           |  |
| 36.0                            | 4.6/35.7  | 6.9        | 5.7       |           | 7.1       | 6.8       | 5.5 /36.5 |           | 36.0                            |           |  |
| 38.0                            |           | 6.4        | 5.3       |           | 5.2       | 6.3       | 5.2       |           | 38.0                            |           |  |
| 40.0                            |           | 6.0        | 4.9       |           | 4.7/38.6  | 5.9       | 4.9       |           | 40.0                            |           |  |
| 42.0                            |           | 5.6        | 4.6       |           |           | 5.5       | 4.5       |           | 42.0                            |           |  |
| 44.0                            |           | 5.5 /42.7  | 4.3       | 3.2 /45.9 |           | 5.2       | 4.2       |           | 44.0                            |           |  |
| 46.0                            |           |            | 4.1       | 3.2       |           | 4.9 /45.6 | 4.0       | 3.0 /47.9 | 46.0                            |           |  |
| 48.0                            |           |            | 3.8       | 3.0       |           |           | 3.7       | 2.9       | 48.0                            |           |  |
| 50.0                            |           |            | 3.6 /49.7 | 2.8       |           |           | 3.5       | 2.8       | 50.0                            |           |  |
| 52.0                            |           |            |           | 2.7       |           |           | 3.3       | 2.6       | 52.0                            |           |  |
| 54.0                            |           |            |           | 2.5       |           |           | 3.3/52.6  | 2.4       | 54.0                            |           |  |
| 56.0                            |           |            |           | 2.3       |           |           |           | 2.3       | 56.0                            |           |  |
| 58.0                            |           |            |           | 2.3/56.3  |           |           |           | 2.2       | 58.0                            |           |  |
| 60.0                            |           |            |           |           |           |           |           | 1.9 /59.2 | 60.0                            |           |  |

\* For notes about the table above, refer to page 59.

■ 45.35 m Tower



| 45.35                           |          |           |           |           |          |            |           |           |           |            |           |           | Unit: ton                       |  |
|---------------------------------|----------|-----------|-----------|-----------|----------|------------|-----------|-----------|-----------|------------|-----------|-----------|---------------------------------|--|
| Tower Length (m)                |          |           |           |           |          |            |           |           |           |            |           |           | Tower Length (m)                |  |
| Jib Length (m)                  | 24       |           |           |           | 27       |            |           |           | 30        |            |           |           | Jib Length (m)                  |  |
| Tower Angle (deg)<br>Radius (m) | 90       | 80        | 70        | 60        | 90       | 80         | 70        | 60        | 90        | 80         | 70        | 60        | Tower Angle (deg)<br>Radius (m) |  |
| 8.9                             | 20.0     |           |           |           | 20.0/9.6 |            |           |           |           |            |           |           | 8.9                             |  |
| 10.0                            | 20.0     |           |           |           | 20.0     |            |           |           | 16.8/10.2 |            |           |           | 10.0                            |  |
| 12.0                            | 20.0     |           |           |           | 20.0     |            |           |           | 15.9      |            |           |           | 12.0                            |  |
| 14.0                            | 20.0     |           |           |           | 20.0     |            |           |           | 15.0      |            |           |           | 14.0                            |  |
| 16.0                            | 20.0     |           |           |           | 20.0     |            |           |           | 14.2      |            |           |           | 16.0                            |  |
| 18.0                            | 19.3     |           |           |           | 19.2     |            |           |           | 13.5      |            |           |           | 18.0                            |  |
| 20.0                            | 16.9     | 14.7      |           |           | 16.8     | 13.5 /21.2 |           |           | 12.9      |            |           |           | 20.0                            |  |
| 22.0                            | 15.0     | 13.0      |           |           | 15.0     | 12.9       |           |           | 12.5      | 12.6 /22.3 |           |           | 22.0                            |  |
| 24.0                            | 13.2     | 11.7      |           |           | 13.4     | 11.6       |           |           | 12.1      | 11.5       |           |           | 24.0                            |  |
| 26.0                            | 9.5      | 10.6      |           |           | 12.0     | 10.5       |           |           | 11.8      | 10.4       |           |           | 26.0                            |  |
| 28.0                            | 9.1/26.1 | 9.6       |           |           | 10.3     | 9.5        |           |           | 10.9      | 9.4        |           |           | 28.0                            |  |
| 30.0                            |          | 8.8       | 7.0 /31.2 |           | 5.8      | 8.7        |           |           | 9.5       | 8.6        |           |           | 30.0                            |  |
| 32.0                            |          | 8.2       | 6.8       |           |          | 8.1        | 6.5 /32.8 |           | 7.0       | 8.0        |           |           | 32.0                            |  |
| 34.0                            |          | 7.6 /33.5 | 6.3       |           |          | 7.5        | 6.2       |           | 6.0/32.8  | 7.4        | 6.0 /34.4 |           | 34.0                            |  |
| 36.0                            |          |           | 5.8       |           |          | 6.9        | 5.7       |           |           | 6.8        | 5.6       |           | 36.0                            |  |
| 38.0                            |          |           | 5.4       |           |          | 6.6/37.4   | 5.3       |           |           | 6.4        | 5.2       |           | 38.0                            |  |
| 40.0                            |          |           | 5.1       | 3.9 /41.4 |          |            | 5.0       |           |           | 5.8        | 4.9       |           | 40.0                            |  |
| 42.0                            |          |           | 4.8 /41.1 | 3.8       |          |            | 4.7       | 3.5 /43.4 |           | 5.8/40.3   | 4.5       |           | 42.0                            |  |
| 44.0                            |          |           |           | 3.6       |          |            | 4.3       | 3.5       |           |            | 4.3       | 3.2 /45.4 | 44.0                            |  |
| 46.0                            |          |           |           | 3.4       |          |            | 4.2 /45.0 | 3.2       |           |            | 4.0       | 3.1       | 46.0                            |  |
| 48.0                            |          |           |           | 3.1       |          |            |           | 3.0       |           |            | 3.7 /47.9 | 2.9       | 48.0                            |  |
| 50.0                            |          |           |           | 3.1/48.1  |          |            |           | 2.9       |           |            |           | 2.7       | 50.0                            |  |
| 52.0                            |          |           |           |           |          |            |           | 2.7       |           |            |           |           | 52.0                            |  |
| 54.0                            |          |           |           |           |          |            |           |           |           |            |           |           | 54.0                            |  |
| 56.0                            |          |           |           |           |          |            |           |           |           |            |           |           | 56.0                            |  |

| 45.35                           |           |            |           |           |           |           |           |           |           |           |           |           | Unit: ton                       |  |
|---------------------------------|-----------|------------|-----------|-----------|-----------|-----------|-----------|-----------|-----------|-----------|-----------|-----------|---------------------------------|--|
| Tower Length (m)                |           |            |           |           |           |           |           |           |           |           |           |           | Tower Length (m)                |  |
| Jib Length (m)                  | 33        |            |           |           | 36        |           |           |           | 39        |           |           |           | Jib Length (m)                  |  |
| Tower Angle (deg)<br>Radius (m) | 90        | 80         | 70        | 60        | 90        | 80        | 70        | 60        | 90        | 80        | 70        | 60        | Tower Angle (deg)<br>Radius (m) |  |
| 10.0                            | 15.3/10.9 |            |           |           | 13.9/11.5 |           |           |           |           |           |           |           | 10.0                            |  |
| 12.0                            | 14.8      |            |           |           | 13.7      |           |           |           | 12.5/12.2 |           |           |           | 12.0                            |  |
| 14.0                            | 13.9      |            |           |           | 12.9      |           |           |           | 11.8      |           |           |           | 14.0                            |  |
| 16.0                            | 13.1      |            |           |           | 12.2      |           |           |           | 11.2      |           |           |           | 16.0                            |  |
| 18.0                            | 12.5      |            |           |           | 11.6      |           |           |           | 10.6      |           |           |           | 18.0                            |  |
| 20.0                            | 11.9      |            |           |           | 11.0      |           |           |           | 10.1      |           |           |           | 20.0                            |  |
| 22.0                            | 11.5      | 11.7 /23.4 |           |           | 10.6      |           |           |           | 9.7       |           |           |           | 22.0                            |  |
| 24.0                            | 11.1      | 11.4       |           |           | 10.2      | 10.7/24.5 |           |           | 9.3       | 9.6/25.7  |           |           | 24.0                            |  |
| 26.0                            | 10.8      | 10.3       |           |           | 9.9       | 10.2      |           |           | 9.0       | 9.5       |           |           | 26.0                            |  |
| 28.0                            | 10.5      | 9.3        |           |           | 9.6       | 9.3       |           |           | 8.7       | 9.1       |           |           | 28.0                            |  |
| 30.0                            | 9.9       | 8.6        |           |           | 9.4       | 8.5       |           |           | 8.5       | 8.4       |           |           | 30.0                            |  |
| 32.0                            | 8.8       | 7.9        |           |           | 9.1       | 7.8       |           |           | 8.3       | 7.7       |           |           | 32.0                            |  |
| 34.0                            | 7.6       | 7.3        | 5.5 /35.9 |           | 8.1       | 7.2       |           |           | 8.1       | 7.1       |           |           | 34.0                            |  |
| 36.0                            | 4.8/35.7  | 6.8        | 5.5       |           | 7.1       | 6.7       | 5.1 /37.5 |           | 7.4       | 6.6       |           |           | 36.0                            |  |
| 38.0                            |           | 6.3        | 5.1       |           | 5.3       | 6.2       | 5.0       |           | 6.6       | 6.1       | 4.7 /39.1 |           | 38.0                            |  |
| 40.0                            |           | 5.9        | 4.8       |           | 4.8/38.6  | 5.8       | 4.7       |           | 5.7       | 5.7       | 4.6       |           | 40.0                            |  |
| 42.0                            |           | 5.5        | 4.5       |           |           | 5.4       | 4.4       |           | 3.8/41.5  | 5.3       | 4.2       |           | 42.0                            |  |
| 44.0                            |           | 5.2 /43.2  | 4.2       |           |           | 5.1       | 4.1       |           |           | 5.0       | 4.0       |           | 44.0                            |  |
| 46.0                            |           |            | 3.9       | 2.9 /47.4 |           | 4.7       | 3.8       |           |           | 4.7       | 3.7       |           | 46.0                            |  |
| 48.0                            |           |            | 3.7       | 2.8       |           | 4.7/46.1  | 3.6       | 2.6 /49.4 |           | 4.4       | 3.5       |           | 48.0                            |  |
| 50.0                            |           |            | 3.4       | 2.6       |           |           | 3.4       | 2.6       |           | 4.3 /49.0 | 3.3       | 2.3 /51.4 | 50.0                            |  |
| 52.0                            |           |            | 3.3 /50.8 | 2.5       |           |           | 3.2       | 2.4       |           |           | 3.1       | 2.3       | 52.0                            |  |
| 54.0                            |           |            |           | 2.3       |           |           | 3.0 /53.6 | 2.2       |           |           | 2.9       | 2.1       | 54.0                            |  |
| 56.0                            |           |            |           | 2.2       |           |           |           | 2.1       |           |           | 2.7       | 2.0       | 56.0                            |  |
| 58.0                            |           |            |           | 2.0 /57.8 |           |           |           | 2.0       |           |           | 2.7/56.5  | 1.9       | 58.0                            |  |
| 60.0                            |           |            |           |           |           |           |           | 1.8       |           |           |           | 1.7       | 60.0                            |  |
| 62.0                            |           |            |           |           |           |           |           | 1.8/60.7  |           |           |           | 1.6       | 62.0                            |  |
| 64.0                            |           |            |           |           |           |           |           |           |           |           |           | 1.6/63.6  | 64.0                            |  |

• For notes about the table above, refer to page 59.

■ 48.35 m Tower



| 48.35                           |          |           |          |          |          |           |          |          |           |           |          |          | Unit: ton                       |  |
|---------------------------------|----------|-----------|----------|----------|----------|-----------|----------|----------|-----------|-----------|----------|----------|---------------------------------|--|
| Tower Length (m)                |          |           |          |          |          |           |          |          |           |           |          |          | Tower Length (m)                |  |
| Jib Length (m)                  | 24       |           |          |          | 27       |           |          |          | 30        |           |          |          | Jib Length (m)                  |  |
| Tower Angle (deg)<br>Radius (m) | 90       | 80        | 70       | 60       | 90       | 80        | 70       | 60       | 90        | 80        | 70       | 60       | Tower Angle (deg)<br>Radius (m) |  |
| 9.0                             | 20.0     |           |          |          | 16.7/9.6 |           |          |          |           |           |          |          | 9.0                             |  |
| 10.0                            | 20.0     |           |          |          | 16.4     |           |          |          | 15.0/10.3 |           |          |          | 10.0                            |  |
| 12.0                            | 20.0     |           |          |          | 15.4     |           |          |          | 14.3      |           |          |          | 12.0                            |  |
| 14.0                            | 20.0     |           |          |          | 14.5     |           |          |          | 13.4      |           |          |          | 14.0                            |  |
| 16.0                            | 20.0     |           |          |          | 13.8     |           |          |          | 12.7      |           |          |          | 16.0                            |  |
| 18.0                            | 19.3     |           |          |          | 13.1     |           |          |          | 12.1      |           |          |          | 18.0                            |  |
| 20.0                            | 16.9     | 13.9/20.6 |          |          | 12.7     | 12.9/21.7 |          |          | 11.6      |           |          |          | 20.0                            |  |
| 22.0                            | 15.0     | 12.8      |          |          | 12.3     | 12.7      |          |          | 11.2      | 11.7/22.8 |          |          | 22.0                            |  |
| 24.0                            | 13.2     | 11.5      |          |          | 12.0     | 11.4      |          |          | 10.8      | 11.3      |          |          | 24.0                            |  |
| 26.0                            | 9.6      | 10.4      |          |          | 11.9     | 10.3      |          |          | 10.6      | 10.2      |          |          | 26.0                            |  |
| 28.0                            | 9.2/26.1 | 9.5       |          |          | 10.3     | 9.4       |          |          | 10.5      | 9.3       |          |          | 28.0                            |  |
| 30.0                            |          | 8.7       |          |          | 6.1      | 8.6       |          |          | 9.5       | 8.5       |          |          | 30.0                            |  |
| 32.0                            |          | 8.0       | 6.5/32.2 |          |          | 7.9       | 6.0/33.8 |          | 7.0       | 7.8       |          |          | 32.0                            |  |
| 34.0                            |          | 7.4       | 6.1      |          |          | 7.3       | 5.9      |          | 5.9/32.9  | 7.2       | 5.5/35.4 |          | 34.0                            |  |
| 36.0                            |          |           | 5.6      |          |          | 6.8       | 5.5      |          |           | 6.7       | 5.4      |          | 36.0                            |  |
| 38.0                            |          |           | 5.2      |          |          | 6.4/37.9  | 5.1      |          |           | 6.3       | 5.0      |          | 38.0                            |  |
| 40.0                            |          |           | 4.9      |          |          |           | 4.8      |          |           | 5.8       | 4.6      |          | 40.0                            |  |
| 42.0                            |          |           | 4.6      | 3.4/42.9 |          |           | 4.5      |          |           | 5.6/40.8  | 4.3      |          | 42.0                            |  |
| 44.0                            |          |           | 4.5/42.1 | 3.3      |          |           | 4.2      | 3.1/44.9 |           |           | 4.1      |          | 44.0                            |  |
| 46.0                            |          |           |          | 3.1      |          |           | 3.9      | 3.0      |           |           | 3.8      | 2.7/46.9 | 46.0                            |  |
| 48.0                            |          |           |          | 2.9      |          |           |          | 2.8      |           |           | 3.5      | 2.6      | 48.0                            |  |
| 50.0                            |          |           |          | 2.6/49.6 |          |           |          | 2.6      |           |           | 3.4/48.9 | 2.5      | 50.0                            |  |
| 52.0                            |          |           |          |          |          |           |          | 2.4      |           |           |          | 2.3      | 52.0                            |  |
| 54.0                            |          |           |          |          |          |           |          | 2.4/53.5 |           |           |          | 2.2      | 54.0                            |  |
| 56.0                            |          |           |          |          |          |           |          |          |           |           |          | 2.0      | 56.0                            |  |
| 58.0                            |          |           |          |          |          |           |          |          |           |           |          | 2.0/56.4 | 58.0                            |  |

| 48.35                           |           |           |          |          |           |          |          |          |           |          |          |          | Unit: ton                       |  |
|---------------------------------|-----------|-----------|----------|----------|-----------|----------|----------|----------|-----------|----------|----------|----------|---------------------------------|--|
| Tower Length (m)                |           |           |          |          |           |          |          |          |           |          |          |          | Tower Length (m)                |  |
| Jib Length (m)                  | 33        |           |          |          | 36        |          |          |          | 39        |          |          |          | Jib Length (m)                  |  |
| Tower Angle (deg)<br>Radius (m) | 90        | 80        | 70       | 60       | 90        | 80       | 70       | 60       | 90        | 80       | 70       | 60       | Tower Angle (deg)<br>Radius (m) |  |
| 10.0                            | 13.7/10.9 |           |          |          | 12.4/11.6 |          |          |          |           |          |          |          | 10.0                            |  |
| 12.0                            | 13.3      |           |          |          | 12.2      |          |          |          | 11.2/12.2 |          |          |          | 12.0                            |  |
| 14.0                            | 12.4      |           |          |          | 11.5      |          |          |          | 10.6      |          |          |          | 14.0                            |  |
| 16.0                            | 11.8      |           |          |          | 10.9      |          |          |          | 10.0      |          |          |          | 16.0                            |  |
| 18.0                            | 11.2      |           |          |          | 10.3      |          |          |          | 9.5       |          |          |          | 18.0                            |  |
| 20.0                            | 10.7      |           |          |          | 9.8       |          |          |          | 9.0       |          |          |          | 20.0                            |  |
| 22.0                            | 10.3      | 10.4/23.9 |          |          | 9.4       |          |          |          | 8.6       |          |          |          | 22.0                            |  |
| 24.0                            | 9.9       | 10.3      |          |          | 9.1       | 9.4/25.1 |          |          | 8.3       |          |          |          | 24.0                            |  |
| 26.0                            | 9.6       | 10.0      |          |          | 8.8       | 9.2      |          |          | 8.0       | 8.4/26.2 |          |          | 26.0                            |  |
| 28.0                            | 9.4       | 9.2       |          |          | 8.5       | 8.8      |          |          | 7.7       | 8.1      |          |          | 28.0                            |  |
| 30.0                            | 9.3       | 8.4       |          |          | 8.3       | 8.3      |          |          | 7.5       | 7.7      |          |          | 30.0                            |  |
| 32.0                            | 8.8       | 7.7       |          |          | 8.2       | 7.7      |          |          | 7.4       | 7.4      |          |          | 32.0                            |  |
| 34.0                            | 7.6       | 7.2       |          |          | 8.1       | 7.1      |          |          | 7.2       | 7.0      |          |          | 34.0                            |  |
| 36.0                            | 4.8/35.8  | 6.6       | 5.1/37.0 |          | 7.1       | 6.6      |          |          | 7.2       | 6.5      |          |          | 36.0                            |  |
| 38.0                            |           | 6.2       | 4.9      |          | 5.4       | 6.1      | 4.7/38.6 |          | 6.6       | 6.0      |          |          | 38.0                            |  |
| 40.0                            |           | 5.8       | 4.5      |          | 4.8/38.7  | 5.7      | 4.5      |          | 5.8       | 5.6      | 4.3/40.1 |          | 40.0                            |  |
| 42.0                            |           | 5.4       | 4.2      |          |           | 5.3      | 4.2      |          | 3.8/41.6  | 5.2      | 4.0      |          | 42.0                            |  |
| 44.0                            |           | 5.0/43.7  | 4.0      |          |           | 5.0      | 3.9      |          |           | 4.9      | 3.8      |          | 44.0                            |  |
| 46.0                            |           |           | 3.7      |          |           | 4.7      | 3.6      |          |           | 4.6      | 3.5      |          | 46.0                            |  |
| 48.0                            |           |           | 3.5      | 2.5/48.9 |           | 4.6/46.6 | 3.4      |          |           | 4.3      | 3.3      |          | 48.0                            |  |
| 50.0                            |           |           | 3.3      | 2.4      |           |          | 3.2      | 2.2/50.9 |           | 4.2/49.5 | 3.1      |          | 50.0                            |  |
| 52.0                            |           |           | 3.1/51.8 | 2.2      |           |          | 3.0      | 2.1      |           |          | 2.9      | 1.9/52.9 | 52.0                            |  |
| 54.0                            |           |           |          | 2.1      |           |          | 2.8      | 2.0      |           |          | 2.7      | 1.9      | 54.0                            |  |
| 56.0                            |           |           |          | 2.0      |           |          | 2.8/54.7 | 1.9      |           |          | 2.6      | 1.7      | 56.0                            |  |
| 58.0                            |           |           |          | 1.8      |           |          |          | 1.8      |           |          | 2.4/57.6 | 1.6      | 58.0                            |  |
| 60.0                            |           |           |          | 1.8/59.3 |           |          |          | 1.6      |           |          |          | 1.5      | 60.0                            |  |
| 62.0                            |           |           |          |          |           |          |          | 1.5      |           |          |          | 1.4      | 62.0                            |  |
| 64.0                            |           |           |          |          |           |          |          | 1.5/62.2 |           |          |          |          | 64.0                            |  |

• For notes about the table above, refer to page 59.



■ 48.35 m Tower



Unit: ton

| Tower Length (m)                | 48.35     |          |           |           | Tower Length (m)                |
|---------------------------------|-----------|----------|-----------|-----------|---------------------------------|
| Jib Length (m)                  | 42        |          |           |           | Jib Length (m)                  |
| Tower Angle (deg)<br>Radius (m) | 90        | 80       | 70        | 60        | Tower Angle (deg)<br>Radius (m) |
| 12.0                            | 10.1/12.9 |          |           |           | 12.0                            |
| 14.0                            | 9.7       |          |           |           | 14.0                            |
| 16.0                            | 9.2       |          |           |           | 16.0                            |
| 18.0                            | 8.7       |          |           |           | 18.0                            |
| 20.0                            | 8.3       |          |           |           | 20.0                            |
| 22.0                            | 7.9       |          |           |           | 22.0                            |
| 24.0                            | 7.6       |          |           |           | 24.0                            |
| 26.0                            | 7.3       | 7.4/27.3 |           |           | 26.0                            |
| 28.0                            | 7.0       | 7.4      |           |           | 28.0                            |
| 30.0                            | 6.8       | 7.1      |           |           | 30.0                            |
| 32.0                            | 6.6       | 6.8      |           |           | 32.0                            |
| 34.0                            | 6.5       | 6.5      |           |           | 34.0                            |
| 36.0                            | 6.4       | 6.3      |           |           | 36.0                            |
| 38.0                            | 6.3       | 5.9      |           |           | 38.0                            |
| 40.0                            | 6.1       | 5.5      | 4.0 /41.7 |           | 40.0                            |
| 42.0                            | 5.5       | 5.2      | 3.9       |           | 42.0                            |
| 44.0                            | 4.1       | 4.8      | 3.7       |           | 44.0                            |
| 46.0                            | 3.8/44.5  | 4.5      | 3.4       |           | 46.0                            |
| 48.0                            |           | 4.3      | 3.2       |           | 48.0                            |
| 50.0                            |           | 4.0      | 3.0       |           | 50.0                            |
| 52.0                            |           | 3.7      | 2.8       |           | 52.0                            |
| 54.0                            |           | 3.7/52.4 | 2.6       | 1.7 /55.0 | 54.0                            |
| 56.0                            |           |          | 2.5       | 1.6       | 56.0                            |
| 58.0                            |           |          | 2.3       | 1.5       | 58.0                            |
| 60.0                            |           |          | 2.1       | 1.4       | 60.0                            |
| 62.0                            |           |          | 2.1/60.5  |           | 62.0                            |

• For notes about the table above, refer to page 59.

51.35 m Tower



| 51.35             |            |             |            |            |            |             |            |            |             |             |            |            | Unit: ton         |  |
|-------------------|------------|-------------|------------|------------|------------|-------------|------------|------------|-------------|-------------|------------|------------|-------------------|--|
| Tower Length (m)  |            |             |            |            |            |             |            |            |             |             |            |            | Tower Length (m)  |  |
| Jib Length (m)    | 24         |             |            |            | 27         |             |            |            | 30          |             |            |            | Jib Length (m)    |  |
| Tower Angle (deg) | 90         | 80          | 70         | 60         | 90         | 80          | 70         | 60         | 90          | 80          | 70         | 60         | Tower Angle (deg) |  |
| Radius (m)        |            |             |            |            |            |             |            |            |             |             |            |            | Radius (m)        |  |
| 9.0               | 20.0 / 9.0 |             |            |            | 15.1 / 9.6 |             |            |            |             |             |            |            | 9.0               |  |
| 10.0              | 20.0       |             |            |            | 14.9       |             |            |            | 13.5 / 10.3 |             |            |            | 10.0              |  |
| 12.0              | 19.8       |             |            |            | 13.9       |             |            |            | 12.9        |             |            |            | 12.0              |  |
| 14.0              | 18.7       |             |            |            | 13.1       |             |            |            | 12.1        |             |            |            | 14.0              |  |
| 16.0              | 17.9       |             |            |            | 12.4       |             |            |            | 11.4        |             |            |            | 16.0              |  |
| 18.0              | 17.3       |             |            |            | 11.8       |             |            |            | 10.9        |             |            |            | 18.0              |  |
| 20.0              | 16.9       | 12.8 / 21.1 |            |            | 11.4       |             |            |            | 10.4        |             |            |            | 20.0              |  |
| 22.0              | 15.1       | 12.5        |            |            | 11.1       | 11.5 / 22.2 |            |            | 10.0        | 10.1 / 23.3 |            |            | 22.0              |  |
| 24.0              | 13.2       | 11.4        |            |            | 10.9       | 11.0        |            |            | 9.7         | 10.1        |            |            | 24.0              |  |
| 26.0              | 9.8        | 10.3        |            |            | 10.8       | 10.2        |            |            | 9.5         | 9.6         |            |            | 26.0              |  |
| 28.0              | 9.4 / 26.1 | 9.4         |            |            | 10.3       | 9.3         |            |            | 9.4         | 9.1         |            |            | 28.0              |  |
| 30.0              |            | 8.6         |            |            | 6.3        | 8.5         |            |            | 9.4         | 8.4         |            |            | 30.0              |  |
| 32.0              |            | 7.9         | 6.0 / 33.2 |            |            | 7.8         |            |            | 7.1         | 7.7         |            |            | 32.0              |  |
| 34.0              |            | 7.3         | 5.8        |            |            | 7.2         | 5.5 / 34.8 |            | 6.1 / 32.9  | 7.1         |            |            | 34.0              |  |
| 36.0              |            | 7.1 / 34.5  | 5.4        |            |            | 6.7         | 5.3        |            |             | 6.6         | 5.1 / 36.4 |            | 36.0              |  |
| 38.0              |            |             | 5.0        |            |            | 6.2         | 4.9        |            |             | 6.2         | 4.8        |            | 38.0              |  |
| 40.0              |            |             | 4.7        |            |            | 6.1 / 38.4  | 4.6        |            |             | 5.8         | 4.5        |            | 40.0              |  |
| 42.0              |            |             | 4.4        |            |            |             | 4.3        |            |             | 5.3 / 41.3  | 4.2        |            | 42.0              |  |
| 44.0              |            |             | 4.2 / 43.1 | 3.0 / 44.4 |            |             | 4.0        |            |             |             | 3.9        |            | 44.0              |  |
| 46.0              |            |             |            | 2.9        |            |             | 3.7        | 2.7 / 46.4 |             |             | 3.6        |            | 46.0              |  |
| 48.0              |            |             |            | 2.7        |            |             | 3.6 / 47.0 | 2.6        |             |             | 3.4        | 2.4 / 48.4 | 48.0              |  |
| 50.0              |            |             |            | 2.5        |            |             |            | 2.4        |             |             | 3.2 / 49.9 | 2.3        | 50.0              |  |
| 52.0              |            |             |            | 2.5 / 51.1 |            |             |            | 2.2        |             |             |            | 2.1        | 52.0              |  |
| 54.0              |            |             |            |            |            |             |            | 2.0        |             |             |            | 2.0        | 54.0              |  |
| 56.0              |            |             |            |            |            |             |            | 2.0 / 55.0 |             |             |            | 1.8        | 56.0              |  |
| 58.0              |            |             |            |            |            |             |            |            |             |             |            | 1.7 / 57.9 | 58.0              |  |

| 51.35             |             |            |            |            |             |            |            |            |             |            |            |            | Unit: ton         |  |
|-------------------|-------------|------------|------------|------------|-------------|------------|------------|------------|-------------|------------|------------|------------|-------------------|--|
| Tower Length (m)  |             |            |            |            |             |            |            |            |             |            |            |            | Tower Length (m)  |  |
| Jib Length (m)    | 33          |            |            |            | 36          |            |            |            | 39          |            |            |            | Jib Length (m)    |  |
| Tower Angle (deg) | 90          | 80         | 70         | 60         | 90          | 80         | 70         | 60         | 90          | 80         | 70         | 60         | Tower Angle (deg) |  |
| Radius (m)        |             |            |            |            |             |            |            |            |             |            |            |            | Radius (m)        |  |
| 10.0              | 12.4 / 10.9 |            |            |            | 11.1 / 11.6 |            |            |            |             |            |            |            | 10.0              |  |
| 12.0              | 11.9        |            |            |            | 10.9        |            |            |            | 10.0 / 12.2 |            |            |            | 12.0              |  |
| 14.0              | 11.2        |            |            |            | 10.3        |            |            |            | 9.5         |            |            |            | 14.0              |  |
| 16.0              | 10.5        |            |            |            | 9.7         |            |            |            | 8.9         |            |            |            | 16.0              |  |
| 18.0              | 10.0        |            |            |            | 9.2         |            |            |            | 8.5         |            |            |            | 18.0              |  |
| 20.0              | 9.6         |            |            |            | 8.8         |            |            |            | 8.0         |            |            |            | 20.0              |  |
| 22.0              | 9.2         |            |            |            | 8.4         |            |            |            | 7.7         |            |            |            | 22.0              |  |
| 24.0              | 8.9         | 9.2 / 24.5 |            |            | 8.1         | 8.2 / 25.6 |            |            | 7.4         |            |            |            | 24.0              |  |
| 26.0              | 8.6         | 8.9        |            |            | 7.8         | 8.1        |            |            | 7.1         | 7.4 / 26.7 |            |            | 26.0              |  |
| 28.0              | 8.4         | 8.5        |            |            | 7.6         | 7.8        |            |            | 6.9         | 7.1        |            |            | 28.0              |  |
| 30.0              | 8.3         | 8.1        |            |            | 7.5         | 7.5        |            |            | 6.7         | 6.8        |            |            | 30.0              |  |
| 32.0              | 8.3         | 7.6        |            |            | 7.3         | 7.2        |            |            | 6.5         | 6.5        |            |            | 32.0              |  |
| 34.0              | 7.6         | 7.0        |            |            | 7.3         | 6.9        |            |            | 6.4         | 6.3        |            |            | 34.0              |  |
| 36.0              | 5.0 / 35.8  | 6.5        |            |            | 7.1         | 6.5        |            |            | 6.4         | 6.0        |            |            | 36.0              |  |
| 38.0              |             | 6.1        | 4.7        |            | 5.5         | 6.0        | 4.3 / 39.6 |            | 6.4         | 5.9        |            |            | 38.0              |  |
| 40.0              |             | 5.7        | 4.4        |            | 5.0 / 38.7  | 5.6        | 4.3        |            | 5.8         | 5.5        | 4.0 / 41.2 |            | 40.0              |  |
| 42.0              |             | 5.3        | 4.1        |            |             | 5.2        | 4.0        |            | 3.8 / 41.6  | 5.1        | 3.8        |            | 42.0              |  |
| 44.0              |             | 4.9        | 3.8        |            |             | 4.9        | 3.7        |            |             | 4.8        | 3.6        |            | 44.0              |  |
| 46.0              |             | 4.9 / 44.2 | 3.6        |            |             | 4.6        | 3.5        |            |             | 4.5        | 3.3        |            | 46.0              |  |
| 48.0              |             |            | 3.3        |            |             | 4.6 / 47.1 | 3.3        |            |             | 4.3        | 3.1        |            | 48.0              |  |
| 50.0              |             |            | 3.1        | 2.1 / 50.4 |             |            | 3.1        |            |             | 4.0        | 2.9        |            | 50.0              |  |
| 52.0              |             |            | 2.9        | 2.0        |             |            | 2.9        | 1.9 / 52.4 |             |            | 2.8        |            | 52.0              |  |
| 54.0              |             |            | 2.9 / 52.8 | 1.9        |             |            | 2.7        | 1.8        |             |            | 2.6        | 1.6 / 54.4 | 54.0              |  |
| 56.0              |             |            |            | 1.8        |             |            | 2.5 / 55.7 | 1.7        |             |            | 2.4        | 1.5        | 56.0              |  |
| 58.0              |             |            |            | 1.6        |             |            |            | 1.6        |             |            | 2.2        | 1.4        | 58.0              |  |
| 60.0              |             |            |            | 1.4        |             |            |            | 1.5        |             |            | 2.2 / 58.6 |            | 60.0              |  |
| 62.0              |             |            |            |            |             |            |            | 1.4        |             |            |            |            | 62.0              |  |

• For notes about the table above, refer to page 59.

■ 51.35 m Tower



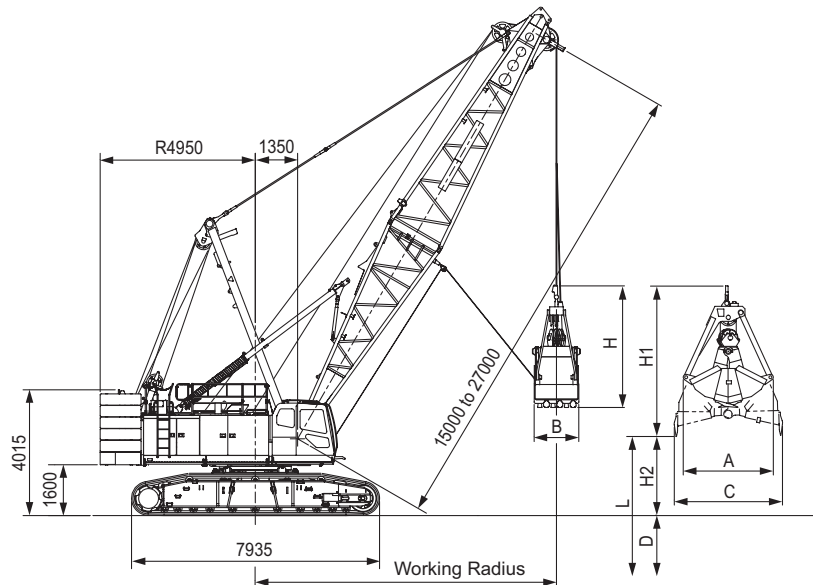
Unit: ton

| Tower Length (m)                | 51.35    |          |          |          |          |          | Tower Length (m)                |
|---------------------------------|----------|----------|----------|----------|----------|----------|---------------------------------|
| Jib Length (m)                  | 42       |          |          | 45       |          |          | Jib Length (m)                  |
| Tower Angle (deg)<br>Radius (m) | 90       | 80       | 70       | 90       | 80       | 70       | Tower Angle (deg)<br>Radius (m) |
| 12.0                            | 9.0/12.9 |          |          | 8.1/13.5 |          |          | 12.0                            |
| 14.0                            | 8.7      |          |          | 7.9      |          |          | 14.0                            |
| 16.0                            | 8.2      |          |          | 7.5      |          |          | 16.0                            |
| 18.0                            | 7.8      |          |          | 7.1      |          |          | 18.0                            |
| 20.0                            | 7.4      |          |          | 6.7      |          |          | 20.0                            |
| 22.0                            | 7.0      |          |          | 6.4      |          |          | 22.0                            |
| 24.0                            | 6.7      |          |          | 6.1      |          |          | 24.0                            |
| 26.0                            | 6.4      | 6.5/27.8 |          | 5.8      |          |          | 26.0                            |
| 28.0                            | 6.2      | 6.4      |          | 5.6      | 5.8/28.9 |          | 28.0                            |
| 30.0                            | 6.0      | 6.2      |          | 5.4      | 5.7      |          | 30.0                            |
| 32.0                            | 5.9      | 5.9      |          | 5.3      | 5.4      |          | 32.0                            |
| 34.0                            | 5.7      | 5.7      |          | 5.1      | 5.2      |          | 34.0                            |
| 36.0                            | 5.6      | 5.5      |          | 5.0      | 5.0      |          | 36.0                            |
| 38.0                            | 5.6      | 5.3      |          | 4.9      | 4.8      |          | 38.0                            |
| 40.0                            | 5.6      | 5.1      |          | 4.9      | 4.6      |          | 40.0                            |
| 42.0                            | 5.5      | 5.0      | 3.6/42.8 | 4.8      | 4.5      |          | 42.0                            |
| 44.0                            | 4.2      | 4.7      | 3.5      | 4.8      | 4.3      | 3.4/44.4 | 44.0                            |
| 46.0                            | 3.9/44.5 | 4.4      | 3.3      | 4.4      | 4.2      | 3.2      | 46.0                            |
| 48.0                            |          | 4.2      | 3.0      | 3.0/47.4 | 4.1      | 3.0      | 48.0                            |
| 50.0                            |          | 3.9      | 2.8      |          | 3.9      | 2.8      | 50.0                            |
| 52.0                            |          | 3.7      | 2.7      |          | 3.6      | 2.6      | 52.0                            |
| 54.0                            |          | 3.6/52.9 | 2.5      |          | 3.4      | 2.4      | 54.0                            |
| 56.0                            |          |          | 2.3      |          | 3.3/55.8 | 2.3      | 56.0                            |
| 58.0                            |          |          | 2.2      |          |          | 2.1      | 58.0                            |
| 60.0                            |          |          | 2.1      |          |          | 2.0      | 60.0                            |
| 62.0                            |          |          | 1.9/61.5 |          |          | 1.9      | 62.0                            |
| 64.0                            |          |          |          |          |          | 1.7      | 64.0                            |
| 66.0                            |          |          |          |          |          | 1.7/64.4 | 66.0                            |

• For notes about the table above, refer to page 59.

# Clamshell Specifications

## Dimensions and Specifications



### Working Ranges

| Boom Length              | m | 15   |      |      |      | 18   |      |      |     | 21   |      |      |      | 24   |      |      |      | 27   |      |      |      |
|--------------------------|---|------|------|------|------|------|------|------|-----|------|------|------|------|------|------|------|------|------|------|------|------|
| Boom Angle               | ° | 35   | 45   | 55   | 65   | 35   | 45   | 55   | 65  | 35   | 45   | 55   | 65   | 35   | 45   | 55   | 65   | 35   | 45   | 55   | 65   |
| Working Radius           | m | 14.2 | 12.6 | 11   | 8.5  | 16.7 | 14.7 | 12.7 | 9.8 | 19.1 | 16.8 | 14.4 | 11.1 | 21.6 | 19.0 | 16.1 | 12.3 | 24.0 | 21.0 | 17.8 | 13.6 |
| Gross Rated Load         | t | 10   | 10   | 10   | 10   | 10   | 10   | 10   | 10  | 10   | 10   | 10   | 10   | 10   | 10   | 10   | 10   | 10   | 10   | 10   | 10   |
| Lift L (D + H2)          | m | 39.4 | 40.5 | 41.5 | 42.3 | 41.1 | 42.6 | 43.9 | 45  | 42.8 | 44.7 | 45.7 | 47.7 | 44.5 | 46.8 | 47.4 | 50.4 | 46.2 | 48.9 | 49.1 | 53.1 |
| Max. Digging Depth D     | m | 36   |      |      |      |      |      |      |     |      |      |      |      |      |      |      |      |      |      |      |      |
| Bucket Dumping Height H2 | m | 3.4  | 4.5  | 5.5  | 6.3  | 5.1  | 6.6  | 7.9  | 9   | 6.8  | 8.7  | 9.7  | 11.7 | 8.5  | 10.8 | 11.4 | 14.4 | 10.2 | 12.9 | 13.1 | 17.1 |

### Specifications

| Clamshell Specifications   |  |
|--|--|
| Bucket Capacity  | m <sup>3</sup> 2.5   |
| Allowed Maximum Gross Weight for Clamshell Bucket and Captured Load Combined | t 10   |
| Boom Length  | m 15 to 27   |
| Maximum Digging Depth  | m 36   |
| Support Wire Rope Speed *  | m/min 64   |
| Opening/Closing Wire Rope Speed *  | m/min 64   |
| Boom Hoist Drum Wire Rope Speed (Raise) *                                    | m/min 44   |
| Boom Hoist Drum Wire Rope Speed (Lower) *                                    | m/min 44   |
| Ground Contact Pressure  | kPa (kgf/cm <sup>2</sup> ) 93 (0.95)<br>(w/ Basic Boom, 2.5 m <sup>3</sup> Clamshell Bucket) |
| Overall Operating Weight   | t Approximately 125<br>(w/ Basic Boom, 2.5 m <sup>3</sup> Clamshell Bucket)                  |

#### NOTE :

- Speeds marked with "\*" may vary depending on load applied.
- SI units are used for specifications. In parenthesis, conventional units are also indicated.
- Specifications other than those shown above are the same as those shown in the crane specifications section.

### Clamshell Bucket

| Capacity (m <sup>3</sup> ) | Weight (t) | A (mm) | B (mm) | C (mm) | H (mm) | H1 (mm) |
|----------------------------|------------|--------|--------|--------|--------|---------|
| 2.5                        | 5.5        | 2,880  | 1,400  | 3,450  | 4,180  | 5,130   |

### Gross Rated Load Table

| Working Radius (m) | Boom Length (m) |             |             |             |             | Unit : t |
|--------------------|-----------------|-------------|-------------|-------------|-------------|----------|
|                    | 15              | 18          | 21          | 24          | 27          |          |
| 8.5                | 10.0            |             |             |             |             |          |
| 9.0                | 10.0            | 10.0 / 9.8  |             |             |             |          |
| 10.0               | 10.0            | 10.0        | 10.0 / 11.1 |             |             |          |
| 12.0               | 10.0            | 10.0        | 10.0        | 10.0 / 12.3 | 10.0 / 13.6 |          |
| 14.0               | 10.0 / 14.2     | 10.0        | 10.0        | 10.0        | 10.0        |          |
| 16.0               |                 | 10.0        | 10.0        | 10.0        | 10.0        |          |
| 18.0               |                 | 10.0 / 16.7 | 10.0        | 10.0        | 10.0        |          |
| 20.0               |                 |             | 10.0 / 19.1 | 10.0        | 10.0        |          |
| 22.0               |                 |             |             | 10.0 / 21.6 | 10.0        |          |
| 24.0               |                 |             |             |             | 10.0        |          |

1. Max. clamshell rating is 10.0 t.
2. Mass of bucket plus load should not exceed clamshell ratings shown above. Following data are for a general digging application buckets.

|                 |                    |                    |
|-----------------|--------------------|--------------------|
| Bucket capacity | 2.0 m <sup>3</sup> | 2.5 m <sup>3</sup> |
| Bucket mass     | 4.5 t              | 5.5 t              |

3. In case of clamshell application, a 15.0 m boom is recommended as minimum length of boom, and max. boom length shall not exceed 27.0 m.
4. Apparent specific gravity of lifting material :  
Earth ..... 1.7 to 1.8 t/m<sup>3</sup>  
Gravel ..... 1.8 to 2.0 t/m<sup>3</sup>
5. A 49.6 t counter weight is required for all capacities on these charts.
6. Max. digging depth below ground shall be 36 m.

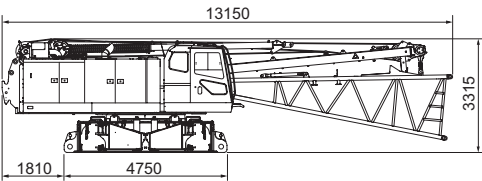
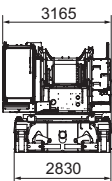
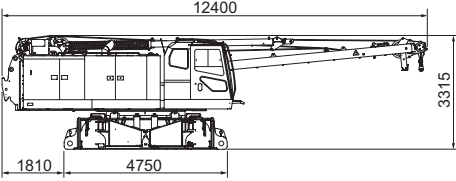
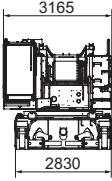
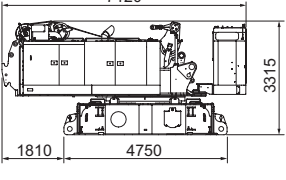
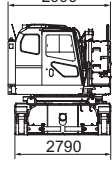
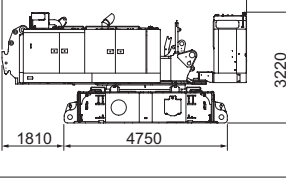
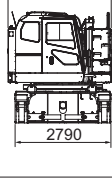
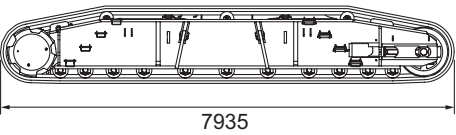
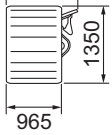
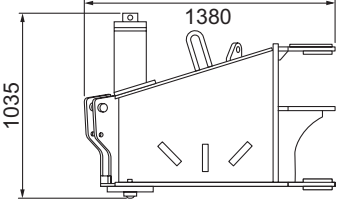
# Weights and Dimensions of Disassembled Units

## Weights and Dimensions List

Comply with the regulations when transporting.

"Weight" refers to the mass of each single unit.

### Weights and Dimensions of Disassembled Units

| Description  | Qty | Dimensions (mm)  |   | Weight (kg) |
|--|-----|--|---|-------------|
| Base Crane with:<br>Backstops<br>Boom Base<br>Mast<br>Front Winch Wire Rope<br>Jacks<br>Upper & Lower Spreader<br>Floats                 | 1   |    |    | 39500       |
| Base Crane with:<br>Backstops<br>Mast<br>Front Winch Wire Rope<br>Jacks<br>Upper & Lower Spreader<br>Floats                              | 1   |    |    | 37300       |
| Base Crane with:<br>Boom Hoist Winch Wire Rope<br>Front Winch Wire Rope<br>Upper & Lower Spreader<br>Without:<br>Mast<br>Jacks<br>Floats | 1   |   |  | 33100       |
| Base Crane<br>Without:<br>Mast<br>Wire Rope<br>Jacks<br>Upper & Lower Spreader<br>Floats   | 1   |   |  | 30000       |
| Crawler (Assembly)   | 2   |  |  | 14200       |
| Jack Beams   | 4   |  |   | 420         |

- With upper house handrails, the weight of the main unit increases by 95 kg.
- With catwalks, the weight of the main unit increases by 210 kg and the width of the main unit increases by 210 mm.

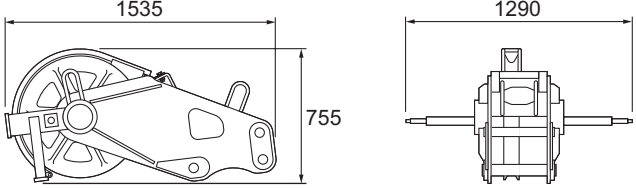
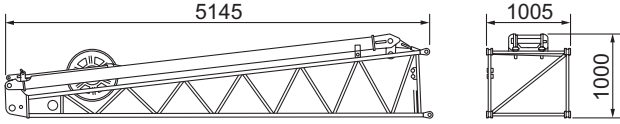
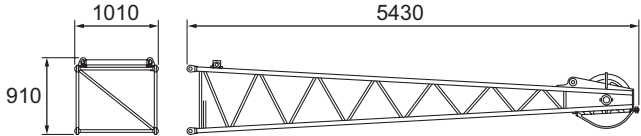
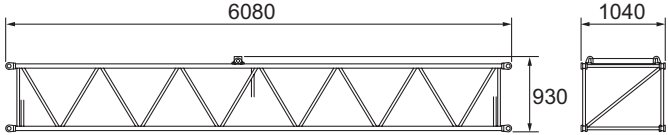
Weights and Dimensions of Disassembled Units

| Description   | Qty | Dimensions (mm) | Weight (kg) |
|---|-----|-----------------|-------------|
| Counter Weight (Base)                                       | 1   |                 | 9100        |
| Counter Weight  | 5   |                 | 8100        |
| Counter Weight with Self Assembly Unit (Base)               | 1   |                 | 9100        |
| Counter Weight (For Counter Weight with Self Assembly Unit) | 3   |                 | 6410        |
| Counter Weight (For Counter Weight with Self Assembly Unit) | 3   |                 | 6780        |
| Boom Base   | 1   |                 | 2300        |
| Boom Top  | 1   |                 | 2200        |
| 3 m Boom Insert   | 1   |                 | 470         |

Weights and Dimensions of Disassembled Units

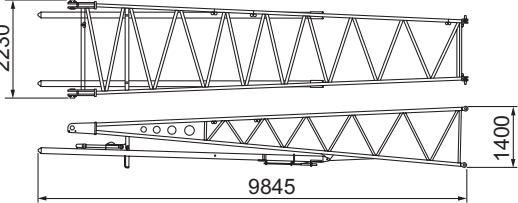
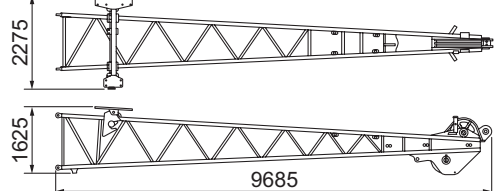
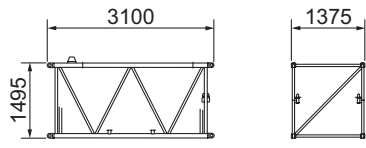
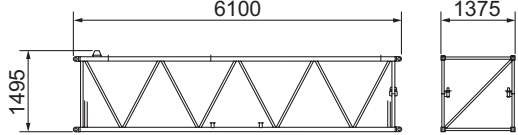
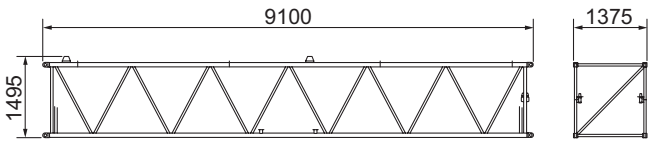
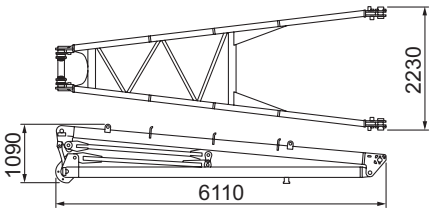
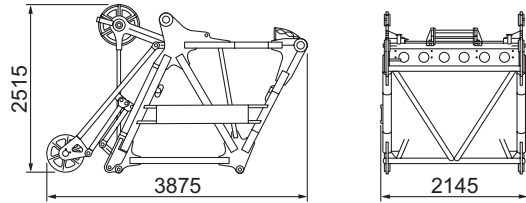
| Description                 | Qty | Dimensions (mm) | Weight (kg) |
|-----------------------------|-----|-----------------|-------------|
| 6 m Boom Insert             | 1   |                 | 760         |
| 9 m Boom Insert             | 1   |                 | 1050        |
| 9 m (B) Boom Insert         | 1   |                 | 1380        |
| 9 m Boom Insert (with Rail) | 1   |                 | 1180        |
| Boom Backstops              | 2   |                 | 490         |
| Mast                        | 1   | <br>Width 1230  | 1480        |
| Upper Spreader              | 1   |                 | 810         |
| Lower Spreader              | 1   |                 | 870         |

Weights and Dimensions of Disassembled Units

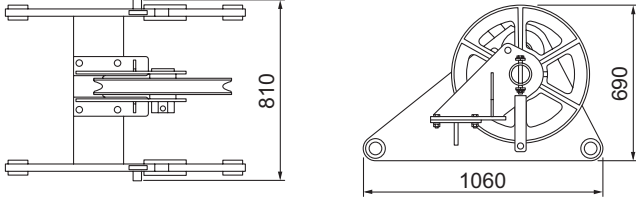
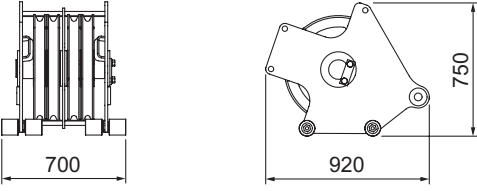
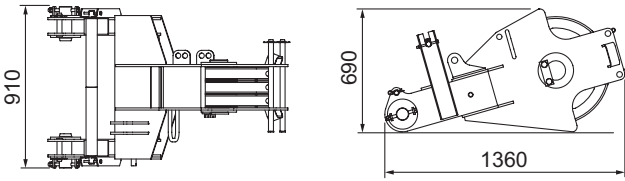
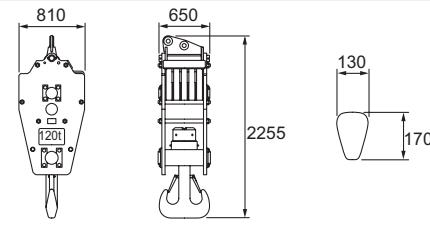
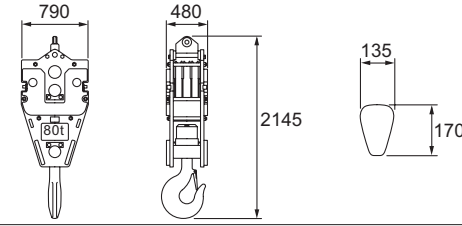
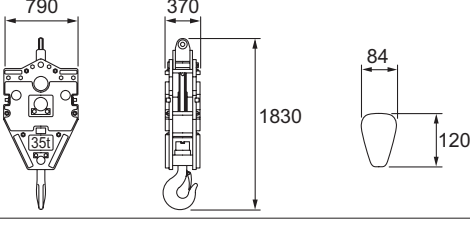
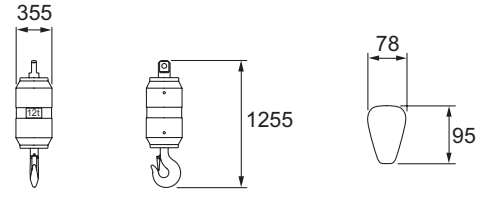
| Description                  | Qty | Dimensions (mm)   | Weight (kg) |
|------------------------------|-----|---|-------------|
| Aux. Sheave                  | 1   |   | 350         |
| Jib Base<br>(with Jib Strut) | 1   |   | 580         |
| Jib Top                      | 1   |   | 290         |
| 6 m Jib Insert               | 1   |  | 190         |

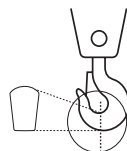


Weights and Dimensions of Disassembled Units

| Description  | Qty | Dimensions (mm)  | Weight (kg) |
|--|-----|--|-------------|
| Tower/Luffing Jib Base<br>(with Jib Backstops)               | 1   |    | 1100        |
| Tower/Luffing Jib Top<br>(with Jib Catch)                    | 1   |    | 1240        |
| 3 m Tower/Luffing Jib Insert                                 | 1   |    | 210         |
| 6 m Tower/Luffing Jib Insert                                 | 1   |   | 360         |
| 9 m Tower/Luffing Jib Insert                                 | 1   |  | 510         |
| Compression Member   | 1   |  | 1200        |
| Tower/Luffing Boom Top<br>(with Link and Tower Guide Roller) | 1   |  | 1300        |

Weights and Dimensions of Disassembled Units

| Description              | Qty | Dimensions (mm)  | Weight (kg) |
|--------------------------|-----|--|-------------|
| Tower Guide Sheave       | 1   |    | 320         |
| Tower Jib Upper Spreader | 1   |    | 400         |
| Tower Jib Lower Spreader | 1   |    | 400         |
| 120 t Hook               | 1   |   | 1640        |
| 80 t Hook                | 1   |  | 1350        |
| 35 t Hook                | 1   |  | 900         |
| 12 t Hook                | 1   |  | 510         |



Hook cross section

The hook cross section is indicated with the dimensions corresponding to those at the cross section located at the broken line shown in each hook illustration.

# Equipment List

## Standard and Optional Equipment

○ : Standard ● : Optional — : No setting

| Item  |   | Crane               | Crane / Tower       | Clamshell           |
|---|---|---------------------|---------------------|---------------------|
| Lower Structure                                       | 965 mm Shoe   | ○                   | ○                   | ○                   |
|   | 965 mm Shoe (Low Wear type, Contiguous surface of roller)                 | ●                   | ●                   | ●                   |
|   | Jack Up Unit  | ○                   | ○                   | ○                   |
|   | Crawler Side Frame Connecting Unit  | ○                   | ○                   | ○                   |
|   | Steps   | ○                   | ○                   | ○                   |
|   | Shoe Tension Unit (Hydraulic)   | ●                   | ●                   | ●                   |
| Upper Structure                                       | Cab Up/Down Catwalk   | ○                   | ○                   | ○                   |
|   | Under Cover (Bed lower surface)   | ○                   | ○                   | ○                   |
|   | Working Light (× 2)   | ○                   | ○                   | ○                   |
|   | Back Mirror (Left and right)  | ○                   | ○                   | ○                   |
|   | Central Lubrication Unit (For turntable bearing)                          | ○                   | ○                   | ○                   |
|   | Drum Flange Cover   | ○                   | ○                   | ○                   |
|   | Auto Idle Stop  | ○                   | ○                   | ○                   |
|   | Eco Winch   | ○                   | ○                   | ○                   |
|   | Drum Light (Front winch)  | ●                   | ●                   | ●                   |
|   | Winch Rope Retainer (Front winch)   | ●                   | ●                   | ●                   |
|   | Winch Rope Retainer (Rear winch)  | ●                   | ●                   | ●                   |
|   | Winch Rope Retainer (Third winch)   | ●                   | ●                   | ●                   |
|   | Catwalk (Folding type, Left / Right)                                      | ○                   | ○                   | ○                   |
|   | Catwalk with Handrails (Folding type, Left / Right)                       | ● / ○ <sup>*1</sup> | ● / ○ <sup>*1</sup> | ● / ○ <sup>*1</sup> |
|   | Electric Fuel Pump  | ●                   | ●                   | ●                   |
|   | Handrails (Folding type)  | ○                   | ○                   | ○                   |
| Winch with Front, Rear Free Mechanism                 | ●   | ●                   | ●                   |                     |
| Third Winch (Rope not included) (with Free mechanism) | ●   | ● <sup>*2</sup>     | -                   |                     |
| Cab   | Air Conditioner   | ○                   | ○                   | ○                   |
|   | Sunvisor  | ○                   | ○                   | ○                   |
|   | Sunshade  | ○                   | ○                   | ○                   |
|   | Wiper with Washer (Front window, Cab roof window)                         | ○                   | ○                   | ○                   |
|   | Microphone & Loud-Speaker   | ●                   | ●                   | ●                   |
|   | AM / FM Radio (with Clock)  | ○                   | ○                   | ○                   |
|   | Room Lamp   | ○                   | ○                   | ○                   |
|   | Cup Holder  | ○                   | ○                   | ○                   |
|   | 24 V Power Socket (× 2)   | ○                   | ○                   | ○                   |
|   | Floor Carpet  | ○                   | ○                   | ○                   |
|   | Level Gauge (in Cab and Lower Structure)                                  | ○                   | ○                   | ○                   |
|   | Accelerator Pedal (Right side)  | ●                   | ●                   | ●                   |
|   | Arm Chair Lever   | ○                   | ○                   | ○                   |
|   | Cross Operation Lever (Lever lock not attached)                           | ● / ○ <sup>*1</sup> | ● / ○ <sup>*1</sup> | ● / ○ <sup>*1</sup> |
|   | Front Operation Lever (with Lever lock)                                   | ●                   | ●                   | ●                   |
|   | Standard Seat   | ○                   | ○                   | ○                   |
|   | Seat with Suspension  | ● / ○ <sup>*1</sup> | ● / ○ <sup>*1</sup> | ● / ○ <sup>*1</sup> |
|   | Travel Operation Pedal (Cannot be installed when free mechanism attached) | ●                   | ●                   | ●                   |
|   | Boom Hoist Operation Pedal <sup>*3</sup>                                  | ●                   | ●                   | ●                   |
|   | Swing Brake Operation Pedal <sup>*3</sup>                                 | ●                   | ●                   | ●                   |
|   | Fan   | ●                   | ●                   | ●                   |
|   | Front/Rear Operation Lever, Brake Pedal Selector                          | ●                   | ●                   | ●                   |
|   | Fuel Burning Heater   | ●                   | ●                   | ●                   |
|   | Accelerator Grip  | ○                   | ○                   | ○                   |
|   | Drum Rotation Sensor (Front/Rear/Boom Hoist) <sup>*4</sup>                | ○                   | ○                   | ○                   |
|   | Speed Control Dial (Front/Rear/Boom Hoist/Swing)                          | ○                   | ○                   | ○                   |
| Lifhammer   | ○   | ○                   | ○                   |                     |

\*1 Europe specification machines only.

\*2 The third winch can only be used in the crane specification. It cannot be used in the tower specification.

\*3 Cannot be installed at the same time.

\*4 Cannot be equipped when the cross operation lever or front operation lever is installed.

○ : Standard ● : Optional — : No setting

| Item  |   | Crane                 | Crane / Tower         | Clamshell           |                 |
|---|---|-----------------------|-----------------------|---------------------|-----------------|
| Attachment                                    | 15 m Basic Boom (Boom base: 7.5 m, Top: 7.5 m)  | ○                     | ○                     | ○                   |                 |
|   | 3 m Boom Insert   | ●                     | ●                     | ●                   |                 |
|   | 6 m Boom Insert   | ●                     | ●                     | ●                   |                 |
|   | 9 m Boom Insert   | ●                     | ●                     | ●                   |                 |
|   | Parts set for 10 m crane jib [10 m Basic jib, Anti-two block, Jib mast]                                   | ●                     | ●                     | -                   |                 |
|   | 6 m Crane Jib Insert  | ●                     | ●                     | -                   |                 |
|   | 51.35 m Tower Boom (Tower/luffing (boom) base: 7.5 m, 3 m × 2, 9 m × 4, Tower/luffing (boom) top: 1.85 m) | -                     | ○                     | -                   |                 |
|   | 9 m Boom Insert (For tower, with upper spreader rail)   | -                     | ○                     | -                   |                 |
|   | 9 m Boom Insert (For tower)   | -                     | ○                     | -                   |                 |
|   | 45 m Tower Jib (Tower/luffing jib base: 9 m, 3 m, 6 m, 9 m × 2, Tower/luffing jib top: 9 m)               | -                     | ○                     | -                   |                 |
|   | Midpoint Pendant Rope (Required when the boom length is 66 m or longer)                                   | ●                     | ●                     | -                   |                 |
|   | 3 m Tower/Luffing Jib Insert  | -                     | ○                     | -                   |                 |
|   | 6 m Tower/Luffing Jib Insert  | -                     | ○                     | -                   |                 |
|   | 9 m Tower/Luffing Jib Insert  | -                     | ○                     | -                   |                 |
|   | Parts Set for Auxiliary Sheave [Auxiliary sheave, Auxiliary sheave anti-two block]                        | ●                     | ●                     | -                   |                 |
|   | 120 t Hook (5 sheaves)  | ●                     | ●                     | -                   |                 |
|   | 80 t Hook (3 sheaves)   | ●                     | ●                     | -                   |                 |
|   | 35 t Hook (1 sheave)  | ●                     | ●                     | -                   |                 |
|   | 12 t Hook   | ●                     | ●                     | -                   |                 |
|   | Wire Rope   | Front Winch ( φ 26)   | Mono Rope EP 3XF (40) | ○                   | ○               |
| P-S (19) + 39XP-7                             |   |                       | ●                     | ●                   | -               |
| IWRC 6 X WS (31)                              |   |                       | -                     | -                   | ○ <sup>*5</sup> |
| Rear Winch ( φ 26)                            |   | Mono Rope EP 3XF (40) | ●                     | ●                   | -               |
|   |   | P-S (19) + 39XP-7     | ●                     | ●                   | -               |
|   |   | IWRC 6 X P-WS (31)    | -                     | ○ <sup>*6</sup>     | -               |
|   |   | IWRC 6 X WS (31)      | -                     | -                   | ○ <sup>*7</sup> |
| Third Winch ( φ 26)                           |   | Mono Rope EP 3XF (40) | ●                     | ●                   | -               |
|   | P-S (19) + 39XP-7   | ●                     | ●                     | -                   |                 |
| Boom Hoist Winch ( φ 22.4)                    | IWRC 6 X P-WS (31)  | ○                     | ○                     | ○                   |                 |
| Safety Device                                 | Moment Limiter  | ○                     | ○                     | ○                   |                 |
|   | 3 Color Percentage Indicator  | ● / ○ <sup>*8</sup>   | ● / ○ <sup>*8</sup>   | ● / ○ <sup>*8</sup> |                 |
|   | Gate Lock Lever   | ○                     | ○                     | ○                   |                 |
|   | Individual Winch Operation Lever Lock (Front, Rear, Boom Hoist, Travel) <sup>*9</sup>                     | ○                     | ○                     | ○                   |                 |
|   | Automatic Drum Lock (Boom Hoist)  | ○                     | ○                     | ○                   |                 |
|   | Winch Drum Lock (Front/Rear)  | ○                     | ○                     | ○                   |                 |
|   | Lowering Limiter (Winch Drum Dead Tums Detective Device)  | ● / ○ <sup>*8</sup>   | ● / ○ <sup>*8</sup>   | ● / ○ <sup>*8</sup> |                 |
|   | Swing Lock  | ○                     | ○                     | ○                   |                 |
|   | Swing Alarm   | ○                     | ○                     | ○                   |                 |
|   | Travel Alarm  | ○                     | ○                     | ○                   |                 |
|   | Auto Slowdown (Slow stop)   | ○                     | ○                     | ○                   |                 |
|   | Boom Hoist Limiting Device  | ○                     | ○                     | ○                   |                 |
|   | Secondary Boom Over Hoist Prevent Device  | ○                     | ○                     | ○                   |                 |
|   | Warning Alarm   | ○                     | ○                     | ○                   |                 |
|   | Engine Start Interlock System   | ○                     | ○                     | ○                   |                 |
|   | Emergency Engine Stop Switch (In cab)   | ○                     | ○                     | ○                   |                 |
|   | Lifting Height Indication Device  | ○                     | ○                     | ○                   |                 |
|   | Swing Neutral Free/Brake Selection Switch   | ○                     | ○                     | ○                   |                 |
|   | Anti-Two Block  | ○                     | ○                     | ●                   |                 |
|   | Tower Strut Overhoist Prevention Device   | -                     | ○                     | -                   |                 |
|   | Tower Jib Overhoist Prevention Device   | -                     | ○                     | -                   |                 |
|   | Secondary Tower Jib Overhoist Prevention Device   | -                     | ○                     | -                   |                 |
|   | Tower Jib Connection Detection Device   | -                     | ○                     | -                   |                 |
|   | Tower Jib Position Detection Device   | -                     | ○                     | -                   |                 |
|   | Moment Limiter (M/L) Mode Selector (In left house)  | ● / ○ <sup>*8</sup>   | ● / ○ <sup>*8</sup>   | ○                   |                 |
|   | Swing Restriction Unit  | ●                     | ●                     | ●                   |                 |
|   | Anemometer  | ○                     | ○                     | -                   |                 |
|   | Obstacle Lights (Fixed lights)  | ●                     | ●                     | -                   |                 |
|   | Crane Boom Top Camera Monitor System  | ●                     | ●                     | -                   |                 |
|   | TW Jib Top Crane Boom Camera Monitor System (TV monitor)  | -                     | ●                     | -                   |                 |
| Drum and Rear View Monitor System (3 cameras) | ●   | ●                     | ●                     |                     |                 |
| Cab Roof Window Guard                         | ● / ○ <sup>*8</sup>   | ● / ○ <sup>*8</sup>   | ● / ○ <sup>*8</sup>   |                     |                 |

\*5 Opening/closing rope ( φ 26 mm × 82 m). The standard length is 21 m for opening/closing and support ropes, and 12 m for excavation ropes.

\*6 Required as a tower jib hoisting rope. In the crane jib specification, can also be used as a hoisting rope when using a crane jib or auxiliary sheave.

\*7 Support rope ( φ 26 mm × 70 m). The standard length is 21 m for opening/closing and support ropes, and 12 m for excavation ropes.

\*8 Europe specification machines only.

\*9 An operation lever lock is not attached to the front, rear or hoist when the cross operation lever is installed.

○ : Standard ● : Optional — : No setting

| Item   |  | Crane  | Crane / Tower   | Clamshell |
|--|--|--|---|-----------|
| Common Parts                                     | Boom Foot Pin Removal / Installation Cylinder                            | ●  | ●   | ●         |
|  | Boom Back Stop   | ○  | ○   | ○         |
|  | Boom Angle Sensor  | ○  | ○   | ○         |
|  | Remote Sensing (Mobile Communication Terminal, Data Logging)             | ○  | ○   | ○         |
|  | Boom Lifting Piece   | ○  | ○   | ○         |
|  | Assembly Pad <sup>*10</sup>  | ●  | ●   | -         |
|  | Reduction Counter Weight Specification                                   | ● <sup>*11</sup>   | ● <sup>*11</sup>  | -         |
|  | Quick Draw for Side Frame Self Assembly <sup>*12</sup>                   | ●  | ●   | ●         |
|  | Counter Weight with Self Assembly Unit                                   | ●  | ●   | ●         |
|  | Skywalk (With Stanchion)   | ●  | ●   | -         |
|  | Skywalk (Without Stanchion)  | ●  | ●   | -         |
|  | Boom Top Under Surface Buffer (Protector)                                | ●  | ●   | ●         |
|  | Load Table Sign (Whiteboard, boom base installation)                     | ●  | ●   | ●         |
|  | Insertable Company Name Plate (Both side surfaces of the machine)        | ●  | ●   | ●         |
|  | Opening / Closing / Support Rope Stopper                                 | -  | -   | ○         |
|  | Hyd. Tagline (6 × Fi (29) φ 10 mm × 55 m)                                | ● <sup>*13</sup>   | ● <sup>*13</sup>  | ○         |
|  | Reeving Winch (4 × F (30) φ 8 mm × 250 m)                                | ● <sup>*13</sup>   | ● <sup>*13</sup>  | -         |
|  | Reeving Winch Cum Hydraulic tagline                                      | For hydraulic tagline (6 × Fi (29) φ 10 mm × 55 m)<br>● <sup>*13</sup> | For reeving (6 × Fi (29) φ 10 mm × 220 m)<br>● <sup>*13</sup> | -         |
|  | Sling Ropes for Disassembly and Assembly (For counter weights, Crawlers) | ●  | ●   | ●         |
|  | Air Cleaner Double Element   | ○  | ○   | ○         |
| Additional Spare Parts (Hydraulic oil filter)    | ●  | ●  | ●   |           |
| Additional Tools (Large hammer, Crowbar, Chisel) | ●  | ●  | ●   |           |
| Other  | Standard Supplied Tools  | ○  | ○   | ○         |
|  | Standard Spare Parts   | ○  | ○   | ○         |

\*10 The assembly pad is required for the following attachments.

- Crane Boom Longest Length 75m
  - Crane Boom Length 72m + Aux. Sheave
  - Crane Boom Length 63m + Crane Jib Over 16 m
- Reduction Counter Weight Specification
- Crane Boom Length Over 69 m
  - Crane Boom Length Over 57 m + Aux. Sheave

It is not required for the tower attachment.

\*11 The reduction counter weight specification can only be used for the crane specification, with the exception of the crane jib.

\*12 When using the reeving winch or hydraulic tagline, remove the side frame self assembly quick draw.

- \*13 (1) Hydraulic tagline (maximum line pull: 2.9 kN (300 kg))  
 (2) Reeving winch unit (maximum line pull: 11.8 ZkN (1,200 kg))  
 (3) Reeving winch and hydraulic tagline (maximum line pull: 2.9 kN (300 kg))





- We are constantly improving our products and therefore reserve the right to change designs and specifications without notice.
- Units in this specification are shown under International System of Units; the figures in parenthesis are under Gravitational System of Units as old one.

---

**Link-Belt**<sup>®</sup>  
C R A N E S

® Link-Belt is a registered trademark Copyright 2023 All rights reserved. We reserve the right to change designs and specifications at any time. Litho in U.S.A

<http://www.linkbelt.com>