

Technical Data

Specifications & Capacities

300|AT

Telescopic Boom All Terrain Crane
300 US ton
275 metric ton



CAUTION: This material is supplied for reference use only. Operator must refer to in-cab Crane Rating Manual and Operator's Manual to determine allowable crane lifting capacities and assembly and operating procedures.

Table Of Contents

Boom, Attachments, and Upper Structure	1
Boom	1
Boom Wear Pads	1
Boom Head	1
Boom Elevation	1
Auxiliary Lifting Sheave - Optional	1
Hook Blocks and Balls - Optional	1
Fly - Optional	1
Fly Extensions - Optional	1
Upper Operator's Cab and Controls	2
Swing	3
Central Lubrication System	3
Electrical	3
Hydraulic System	3
Load Hoist System	4
Load Hoist Performance	4
Main (Front) and Optional Auxiliary (Rear) Winches	4
Counterweight	4
Additional Options	4
Carrier	6
General	6
Outriggers	6
Steering and Axles	6
Suspension	6
Tires and Wheels	7
Brakes	7
Central Lubrication System	7
Electrical	7
Transmission	7
Fuel Tank	7
Engine	7
Hydraulic System	7
Pump Drive	7
Carrier Speeds and Gradeability	8
Lower Cab and Controls	10
Additional Equipment	11
Transport Scenarios - Axle Loads	12
Transport Scenarios - 3- Axle Boom Dolly	13
General Dimensions	14
Counterweights	16
Boom Extend Modes	18
Working Range Diagram - Main Boom	19
Working Range Diagram - Main Boom + Fly	20
Working Range Diagram - Main Boom (Metric)	21
Working Range Diagram - Main Boom + Fly (Metric)	22

Main Boom Lift Capacity Charts - Standard	23
30,000 lb Counterweight - Fully Extended Outriggers - 360° Rotation	23
118,000 lb Counterweight - Fully Extended Outriggers - 360° Rotation	24
162,000 lb Counterweight - Fully Extended Outriggers - 360° Rotation	25
Main Boom Offset Fly Attachment Lift Capacity Charts - Optional	26
30,000 lb Counterweight - Fully Extended Outriggers - 360° Rotation	26
Main Boom + 8 ft Offset Fly	26
118,000 lb Counterweight - Fully Extended Outriggers - 360° Rotation	27
Main Boom + 8 ft Offset Fly	27
162,000 lb Counterweight - Fully Extended Outriggers - 360° Rotation	28
Main Boom + 8 ft Offset Fly	28
Hydraulic Offset Fly Attachment Lift Capacity Charts - Optional	29
30,000 lb Counterweight - Fully Extended Outriggers - 360° Rotation	29
238.0 ft Main Boom Length + 42 ft & 71 ft Hydraulic Offset Fly	29
118,000 lb Counterweight - Fully Extended Outriggers - 360° Rotation	30
238.0 ft Main Boom Length + 42 ft & 71 ft Hydraulic Offset Fly	30
118,000 lb Counterweight - Fully Extended Outriggers - 360° Rotation	31
238.0 ft Main Boom Length + 96 ft & 121 ft Hydraulic Offset Fly	31
162,000 lb Counterweight - Fully Extended Outriggers - 360° Rotation	32
238.0 ft Main Boom Length + 42 ft & 71 ft Hydraulic Offset Fly	32
162,000 lb Counterweight - Fully Extended Outriggers - 360° Rotation	33
238.0 ft Main Boom Length + 96 ft & 121 ft Hydraulic Offset Fly	33

Boom, Attachments, and Upper Structure

■ Boom

Design - Seven section, formed construction of extra high tensile steel consisting of one base section and six telescoping sections. Two plate design of each section has multiple longitudinal bends for superior strength. Each telescoping section extends independently by means of one double – action, single stage hydraulic cylinder with integral holding valves.

Boom

- 46.1–238.7 ft (14.1–72.6m) seven section boom
- Integral boom dolly connection
- Three pinned positions of 0%, 50%, and 100% on each boom section
- Mechanical boom angle indicator
- Wind speed indicator
- Eight boom extend modes (EM1–EM8), controlled from Operator's cab, provide superior capacities by varying extension of telescoping sections:
 - EM1 extends to 238 ft (72.5m)
 - EM2 extends to 223.3 ft (68.1m)
 - EM3 extends to 189.4 ft (57.7m)
 - EM4 extends to 174.1 ft (53.1m)
 - EM5 extends to 142.1 ft (43.3m)
 - EM6 extends to 144.6 ft (44.1m)
 - EM7 extends to 112.1 ft (34.2m)
 - EM8 extends to 96.3 ft (29.4m)
- Maximum tip height for each extend mode is :
 - EM1 is 245 ft (74.7m)
 - EM2 is 230 ft (70.2m)
 - EM3 is 197 ft (59.9m)
 - EM4 is 182 ft (55.3m)
 - EM5 is 150 ft (45.6m)
 - EM6 is 152 ft (46.4m)
 - EM7 is 120 ft (36.5m)
 - EM8 is 104 ft (31.8m)

Boom Wear Pads

- Wear pads with Teflon inserts that self-lubricate boom sections, inserts are universal for boom.
- Bottom rear wear pads are universal for all boom sections.
- Bottom front wear pads are common for base, T1, and T2 boom sections.
- Bottom front wear pads are common for T3 and T4 boom sections.
- Top front wear pads are universal for all boom sections.
- Top rear wear pads are common for T2, T3, T4, and T5 boom sections.

Boom Head

- Seven 16.5 in (41.9cm) root diameter nylon sheaves to handle up to 14 parts of line with auxiliary lifting sheave
- Easily removable hinged wire rope guards
- Rope dead end lugs on either side of boom head
- Boom head is designed for quick- reeve of hook block

Boom Elevation

- One hydraulic cylinder with integral holding valve
- Boom elevation: - 1.6° to 83°

Auxiliary Lifting Sheave - Optional

- Single 16.5 in (41.9cm) root diameter nylon sheave
- Easily removable wire rope guards
- Does not affect erection of fly or use of main head sheaves
- Can be stored on right side of boom without removal

Hook Blocks and Balls - Optional

- 40 ton (37mt) 1 sheave quick- reeve hook block with safety latch
- 75 ton (68mt) 3 sheave quick- reeve hook block with safety latch
- 120 ton (109mt) 5 sheave quick- reeve hook block with safety latch
- 160 ton (146mt) 7 sheave quick- reeve hook block with safety latch
- 225 ton (204mt) 10 sheave quick- reeve twin hook block with safety latch
- 12 ton (11mt) swivel hook ball with safety latch

Fly - Optional

- 8 ft (7.4m) heavy lift fly, fixed offset. Maximum tip height is 253 ft (77.1m).
- 42-71 ft (12.8-21.6m) two piece bi-fold lattice fly, stowable hydraulically offsettable to 0° through 45° . Maximum tip height is 316 ft (96.4m).

Fly Extensions - Optional

- Two 25 ft (5.5m) lattice extensions to be mounted between boom head and fly options. Maximum tip height of 365 ft (111.3m).

■ Upper Operator's Cab and Controls

Environmental Cab - Fully enclosed, one person cab of tubular and sheet steel structure with formed plastic interior panels.

Equipped with:

- Tinted and tempered glass windows
- Extra-large fixed front window with time delayed windshield wiper and washer
- Swing up roof window with windshield wiper and washer
- Sliding left side door with large fixed window
- Pop- out rear window for ventilation
- Six way adjustable, cushioned seat with seat belt and storage compartment
- Diesel fired warm- water heater with ten air ducts for front windshield defroster and cab floor
- Air Conditioning - Integral with cab heating system utilizing same ventilation outlets and automatic temperature control (ATC)
- Adjustable sun screen
- Dome lights with red nighttime reading LED's
- Cup holder
- Fire extinguisher
- Two position travel swing lock
- AM/FM Bluetooth radio

Armrest Controls - Two dual axis electronic joystick controllers or optional single axis electronic controllers for:

- Swing hoist
- Boom hoist
- Main (front) winch
- Auxiliary (rear) winch - optional
- Winch high/low speed switch(es)
- Warning horn button
- Swing park brake switch
- Engine throttle lock switch
- Engine set/resume switch
- Cab tilt
- Counterweight removal
- Hydraulic offset fly - optional

Foot Controls

- Boom telescope
- Swing brake
- Engine throttle

Upper Right Console - Controls and indicators for:

- | | |
|-------------------------------------|--------------------------------|
| • Engine ignition | • Radio |
| • Engine stop | • DRI on/off selection |
| • Function lockout | • HVAC controller |
| • Front windshield wiper and washer | • Boom floodlights |
| • Cab lights and upper frame lights | • Rotating beacon/Strobe light |
| • Horn | • Top hatch wiper washer |
| • Dome light with switch | • Winch(es) disable |
| • E- stop switch | • Engine indicator gauge |

Rear Right Side Panel

- 12V accessory outlet (10 amp)
- USB charge port

Camera Display - Located on right A- post with an adjustable mount

- Displays right side of upper
- Displays front and rear winches

Diagnostic Center - Located on right rear wall behind seat.

- Engine diagnostic
- RCL CANBUS diagnostic
- Boom CANBUS diagnostic
- Outrigger CANBUS diagnostic

Fuse & Relay Panel - Located on left rear wall behind seat.

Link-Belt Pulse 2.0 – Link-Belt in-house designed, total crane operating system that utilizes a 10 in touch screen color display with integrated RCL and engine data, advanced diagnostics and systems monitoring, Wi-Fi capable for remote software updates, operator customizable, and a readout and operator interface for following systems:

- **Rated capacity limiter** – LCD graphic audio – visual warning system integrated into dash with anti – two block and function limiter. Operating data includes:
 - Crane configuration
 - Boom length and angle
 - Boom head height
 - Allowed load and percent of allowed load
 - RCL light bar
 - Boom angle
 - Radius of load
 - Actual load
 - Wind speed
 - Highlighted unit of measurement on working screen
 - Telescope operation displayed in real time
 - Outrigger position sensing
 - Drum rotation direction indication
 - Third wrap indicator
 - Diagnostics
 - Counterweight detection system
 - Ground Bearing Pressure on Jacks
 - Swing Motor Lockout For Transport Dolly
 - Operator settable alarms (include):
 - Maximum and minimum boom angles
 - Maximum tip height
 - Maximum boom length
 - Swing left/right positions
 - Operator defined area (imaginary plane)
- **Cab Instrumentation**
 - Tachometer
 - Engine water temperature
 - Fuel level
 - Hydraulic oil temperature
 - Stop engine
 - Check engine
 - Wait to start
 - Diesel exhaust fluid (DEF) level
 - Engine air filter high restriction light
 - Regeneration light
 - Regeneration inhibit switch
 - Regeneration initiate switch
 - High exhaust temperature light
 - Regeneration disabled light
 - Swing park brake light
 - Engine speed
 - Engine oil pressure
 - Battery voltage
 - Fuel rate (gal/hr)
 - Engine load
 - Engine Diagnostics
- **Telematics** – Cellular based data logging and monitoring system that provides:
 - Location and operational settings
 - Routine maintenance
 - Crane and engine monitoring
 - Diagnostic and fault codes

Internal RCL Light Bar - Visually informs operator when crane is approaching maximum load capacity with a series of green, yellow, and red lights.

Integrated Third Wrap Function Kickout - Link-Belt Pulse 2.0 color display visually and audibly warns operator when wire rope is on first/bottom layer and provides a function kickout when wire rope is down to last three wraps.

External RCL Light Bar - Optional - Visually informs ground crew when crane is approaching maximum load capacity with a series of green, yellow, and red lights.

■ Swing

Motor/Planetary - Two bi-directional hydraulic swing motors mounted to planetary reduction units for 360° continuous smooth swing at 1.31 rpm.

Swing Park Brake - 360°, electric over hydraulic, (spring applied/hydraulic released) multi-disc brake mounted between speed reducer and motor. Operated by a switch in operator's cab.

Swing Brake - 360°, foot operated, electric over hydraulic.

Swing Lock - Two – position swing lock (boom over front or rear) operated from operator's cab.

■ Central Lubrication System

Centralized grease bank that injects grease into turntable bearing, house lock (2- position).

■ Electrical

Swing Alarm - Audio/Visual warning device signals when upper is swinging.

Lights

- Two LED working lights on front of cab
- Work Lighting Package
 - Includes six LED lights
 - Working light on top of cab - optional
 - Right side of superstructure facing forward
 - Left upper work platform
 - Left & right sides of superstructure facing down
- Two amber strobe beacons on top of upper near winches
- Boom floodlight - Dual
- Boom floodlight - High intensity wirelessly remote controlled

Power Panel - Sealed power panel containing:

- Fuses, circuit breakers, relays, diodes, resistors
- Control modules

■ Hydraulic System

Power Transmission

- One 90° miter box driven by drive shaft from auxiliary transmission.
- One closed loop pump driving one closed loop hydraulic motor acting as main pump drive for crane functions.

Main Pumps

- One piston pump for boom hoist, telescope, and main and auxiliary winches
- One pump for swing gear
- One piston pump for counterweight removal, hydraulic fly option, cab tilt, and fly storage
- One gear pump for cab A/C

Hydraulic Reservoir - 181 gal (685.1L) capacity equipped with sight level gauge and magnetic drain plug.

Filtration

- One, 5–micron filter inside hydraulic reservoir, accessible for easy replacement with an in- cab indicator light.
- One, 3- micron filter for pilot circuit located in main valve area with an in- cab indicator light.

Load Holding Valves - Boom extend cylinder and boom hoist cylinder are equipped with load holding valves to provide load lowering and prevent accidental load drop when hydraulic power is suddenly reduced.

Hydraulic Oil Cooler - Mounted on left side. Removes heat from hydraulic oil.

Boom Hoist Float Valves - For transporting boom over rear of crane with a boom dolly. Allows hydraulic oil within boom hoist cylinder to flow between piston side and case side.

Swing Brake Release Valve - For transporting boom over rear of crane with a boom dolly. Holds 360° swing park brake in released position allowing free rotation of upper structure.

■ Load Hoist System

Load Hoist Performance

Main (Front) and Auxiliary (Rear) Winches - 7/8 in (22mm) Rope										
Layer	Maximum Line Pull		Normal Line Speed		High Line Speed		Layer		Total	
	lb	kN	ft/min	m/min	ft/min	m/min	ft	m	ft	m
1	29,392	130.7	181	55.2	272	82.9	197	60.0	197	60.0
2	26,996	120.1	195	59.4	296	90.2	215	65.5	412	125.6
3	24,961	111	209	63.7	321	97.8	232	70.7	644	196.3
4	23,212	103.3	223	68	345	105.2	250	76.2	893	272.2
5	21,691	96.5	337	102.7	369	112.5	267	81.4	1160	353.6

Wire Rope Application		Diameter		Type	Maximum Permissible Load	
		in	mm		lb	kN
Main	Standard	7/8	22	37x7 rotation resistant - right regular lay (Type KC)	21,625	96.2
	Optional	7/8	22	34x7 rotation resistant - right regular lay (Type YB)	21,920	97.5
Auxiliary	Standard	7/8	22	37x7 rotation resistant - right regular lay (Type KC)	21,625	96.2
	Optional	7/8	22	35x7 rotation resistant - right regular lay (Type YB)	21,920	97.5

Main (Front) and Optional Auxiliary (Rear) Winches

- Axial piston, full and half displacement (2-speed) motors driven through planetary reduction unit for positive control under all load conditions
- Grooved lagging
- Power up/down mode of operation
- Hoist drum cable followers - optional
- Drum rotation indicators
- Drum diameter: 18.5 in (47cm)
- Rope diameter: 7/8 in (22mm)
- Rope length:
 - Main (Front) 1,100 ft (335.3m)
 - Auxiliary (Rear) 775 ft (236.2m) or 1,100 ft (335.3m) - optional
- Last layer and third wrap function kick-out
- Poured socket rope termination

■ Counterweight

Standard - Total of 38,000 lb (17.2mt) of total counterweight consisting of three hydraulically removable counterweights. Assembled and disassembled by hydraulic cylinders controlled from operator's cab with capacities for:

- 0 lb (0t) counterweight
- 8,000 lb (3.6t) counterweight
- 30,000 lb (13.6t) counterweight
- 38,000 lb (17.2t) counterweight

Optional - 80,000 lb (40.0t) in addition to standard counterweight for a total of 118,000 lb (53.5t) counterweight for additional capacities for:

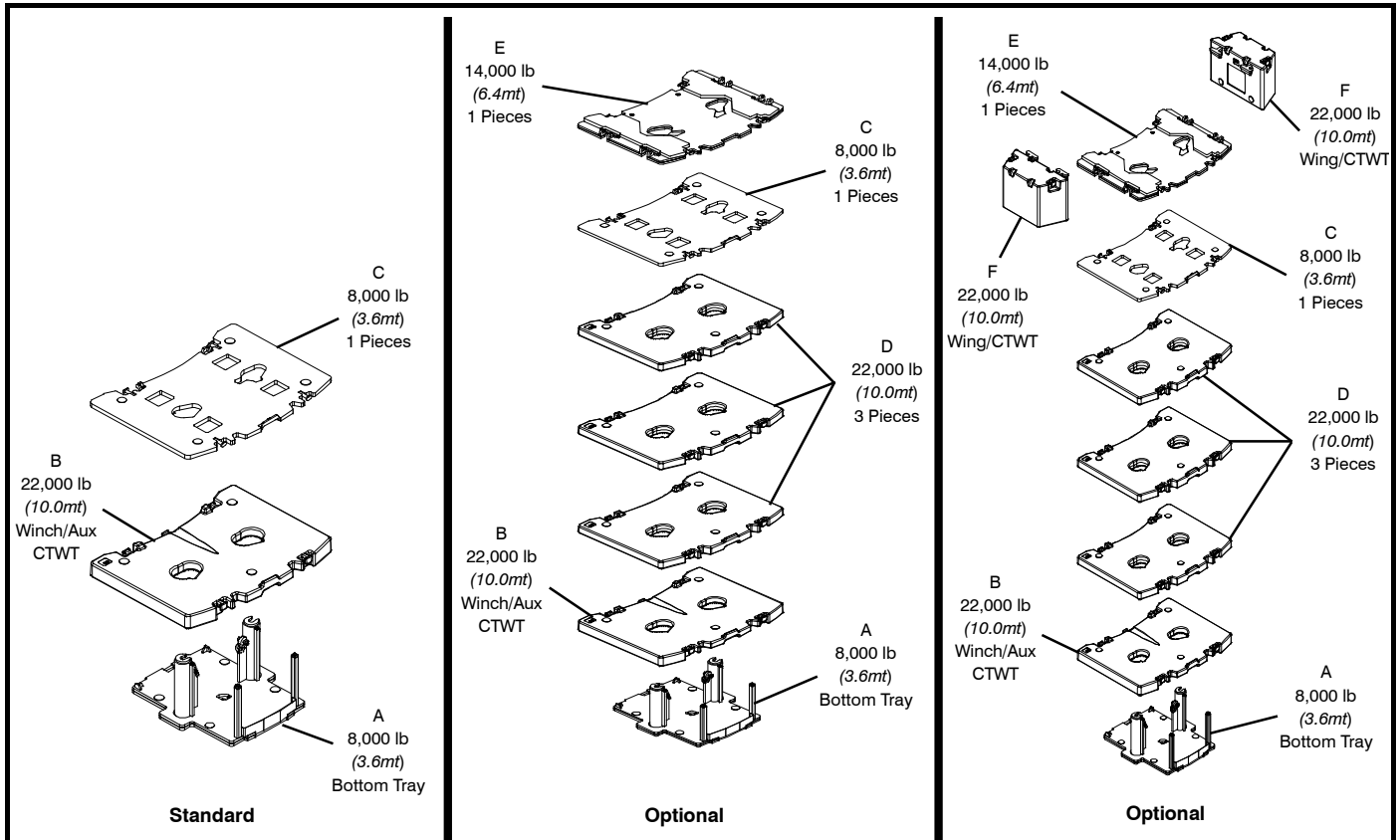
- 52,000 lb (23.6t) counterweight
- 74,000 lb (33.6t) counterweight
- 96,000 lb (43.6t) counterweight
- 118,000 lb (53.6t) counterweight

Optional - 44,000 lb (20.0t) in addition to standard counterweight for a total of 162,000 lb (73.5t) counterweight for additional capacities for:

- 162,000 lb (73.5t) counterweight

■ Additional Options

- Heavy lift package - (required for base rating) includes additional boom head sheave pack, boom hoist cylinder.
- Boom launching - includes hydraulically removable boom foot pins and hydraulic quick disconnects for boom plumbing.
- Hydraulic quick disconnects for boom plumbing.
- Upper mounted storage box.
- Working light bar mounts on top of operator's cab.



Counterweight Packages		38,000 lb (17.2mt) - Standard							
		118,000 lb (53.5mt) - Optional				162,000 lb (73.5mt) - Optional			
Counterweight Modules		A	B	C	D	D	D	E*	F
		8,000 lb (3.6mt)	22,000 lb (10.0mt)	8,000 lb (3.6mt)	22,000 lb (10.0mt)	22,000 lb (10.0mt)	22,000 lb (10.0mt)	14,000 lb (6.4mt)	44,000 lb (20.0mt)
Counterweight Usage Configurations	0 lb								
	A	8,000 lb (3.6mt)	X						
	A,B	30,000 lb (13.6mt)	X	X					
	A,B,C	38,000 lb (17.2mt)	X	X	X				
	A,B,D	52,000 lb (23.6mt)	X	X		X			
	A,B,D,D	74,000 lb (33.6mt)	X	X		X	X		
	A,B,D,D,D	96,000 lb (43.6mt)	X	X		X	X	X	
	A,B,C,D,D,D,E	118,000 lb (53.6mt)	X	X	X	X	X	X	X
A,B,C,D,D,D,E,F	162,000 lb (73.5mt)	X	X	X	X	X	X	X	

Carrier

■ General

- 10 ft (3.04m) wide (525/80R25 tires)
- 27 ft 6.3 in (8.4m) wheel base (centerline of first axle to centerline of fifth axle)
- **Frame** - Box – type, torsion resistant, welded construction made of high tensile steel. Equipped with front and rear tie – down lugs and four carrier access ladders.

■ Outriggers

Boxes - Two, double box, front and rear welded to carrier frame

Beams and Jacks - Two, single stage front and two dual stage rear beams hydraulically controlled via

rigging remote control. Jacks with integral check valves, hydraulically controlled wireless rigging remote control.

V- CALC - Variable confined area lifting capabilities that are incorporated into Pulse 2.0 display allowing multiple outrigger configurations of fully extended, intermediate, and fully retracted in infinite combinations, with live on screen working radii, utilizing 360° charts and swing arrest.

Pontoons

- **Main** - Four, stow'n go, 20 in (50.8cm) square steel pontoons with a contact area of 385 in² (2 483.8cm²) can be stored for road travel under outrigger boxes

Outrigger Work Station Floodlights - LED Flood lights are mounted at each outrigger beam.

Jack Reaction

- **Main** - Rear: 260,000 lb (1156.5kN) force and 654 psi (4509.1kPa)
Front: 180,000 lb (800.7kN) and 453 (3123.3kPa) psi ground bearing pressure. Consult factory for base rating ground bearing pressure information.

■ Steering and Axles

- Full integral master gear/relay arm steering system provides hydraulic assisted steering with mechanical link between steering wheel and wheels.

On Highway (Primary) Steering Mode - Axles 3, 4, and 5 will automatically steer in combination with axles 1 and 2 based on travel speed:

On- Highway (Primary)			
Speed	Less than 18.6 mph (30km/h)	18.6-31 mph (30-50km/h)	Greater than 31 mph (50km/h)
Axle 1	Steered	Steered	Steered
Axle 2	Steered	Steered	Steered
Axle 3	Steered	Locked	Locked
Axle 4	Steered	Locked	Locked
Axle 5	Steered	Steered	Locked

Off Road (Auxiliary) Steering Modes - Four independent modes consisting of:

- **All Wheel:** Axles 1, 2, 3, 4, and 5
- **Diagonal (Crab):** Axles 1, 2, 3, 4, and 5
- **Independent Rear:** Axles 3, 4, and 5
- **Drive Away From Walls:** Temporary crab

Front, all wheel, and diagonal (crab) steering modes are controlled from steering wheel and are selected by controls in driver's cab. Switches in driver's cab control rear steering mode through steering module display.

- **Emergency Steering** - A pump is flange-mounted to transfer case and provides hydraulic pressure to steering circuit as long as crane is in motion
- **Drive** - 10 x 6 x 10 Standard
- **Axle 1** - Steered
- **Axle 2** - Steered, driven
- **Axle 3** - Steered
- **Axle 4** - Steered, driven
- **Axle 5** - Steered, driven
- **Drive** - 10 x 8 x 10 Optional
- **Axle 1** - Steered
- **Axle 2** - Steered, driven
- **Axle 3** - Steered, driven
- **Axle 4** - Steered, driven
- **Axle 5** - Steered, driven
- **Inter- Axle Differential Lock** - Traction aiding device that locks axles 2, 4, and 5. Operated by a switch in carrier cab.
- **Transverse (Cross- Axle) Differential Locks** - Traction aiding device that locks differentials within axles 2, 4, and 5. Operated by a momentary switch in carrier cab.

■ Suspension

Hydro – pneumatic, lockable with level adjustment and automatic ride height leveling. All axles have longitudinal and transverse trailing arms with leveling adjustment and lockable cylinders. Carrier can be raised, lowered, and tilted side to side by controls in carrier cab that adjust suspension cylinders to aid in machine setup.

- Cylinder stroke: - 4.5 in (- 11.43cm)/+3.5 in (8.89cm) at ride height

■ Tires and Wheels

Standard - Ten, (single) 525/80R25 tires on aluminum disc wheels

- Lug nut torque indicator
- Tire pressure and temperature monitoring

Optional - Ten, (single) 445/95R25 tires on aluminum disc wheels

- Tire inflation kit - optional
- Spare tires and wheels - optional

■ Brakes

Service - Air anti- lock (ABS) braking system. Disc brakes on all wheel ends. Dual circuit compressed air system with air dryer.

Parking/Emergency - Spring loaded type, acting on 2nd, 3rd, 4th, and 5th axles, automatically apply when air pressure drops below 40 psi (275kPa) in both circuits.

Intarder - Hydrodynamic driveline brake that is integral to transmission. Activated by a switch in carrier cab and controlled by paddle shifters on steering wheel.

Traction Control - ABS activated traction control to limit wheel slip of axles 1, 2, 4, and 5.

■ Central Lubrication System

Automated lubrication unit that injects grease into steering gear arms, steering knuckles, axle king pins, and suspension cylinders. Activated by a timer on ignition switch.

■ Electrical

Battery - Four batteries provide 24 volt starting and operation, easily accessible battery disconnects, and battery jumping charging posts

Lights

- Front lighting includes two main daytime running/headlights, two high beam lights, two LED parking/directional indicators, and five LED cab marker lights
- Side lighting includes four parking/directional indicators per side
- LED rear lighting includes two parking/directional indicators, two parking/brake lights, two reverse lights, three marker lights, and a license plate light
- Other equipment includes hazard/warning system, cab LED light, instrument panel light, signal horn, and two outrigger LED lights on each side
- Two amber strobe beacon behind cab

■ Transmission

Main Transmission - Automated - ZF TraXon (no clutch pedal) manual transmission with 12 forward gears and 2 reverse gears.

2- Speed Transfer Case - Air actuated manual transmission with high/low/neutral range.

■ Fuel Tank

- Two, 79 gal (299L) capacity aluminum fuel tanks for a total capacity of 158 gallons (598.1L)
- One, 15 gal (56.8L) capacity plastic diesel exhaust fluid (DEF) tank

■ Engine

Specification	Cummins X 15
Emission Compliance Level:	EPA/CARB ON-ROAD
Maximum Allowable Sulfur Content of Fuel (PPM):	15
Numbers of cylinders	6
Cycle	4
Bore and Stroke: inch (mm)	5.39 x 6.65 (136.9x169)
Piston Displacement: in ³ (cm ³)	912 (14 945)
Max. Brake Horsepower: hp (kW)	548 (409) @ 2,000 rpm 580 (432) @ 1,800 rpm
Peak Torque: ft lb (Nm)	1,950 (2 644) @ 1,400 rpm
Alternator: volts - amps	24 - 200
Crankcase Capacity: qt (L)	48 (45.4)
<ul style="list-style-type: none"> • Cruise control • Three stage engine compression brake • Thermostatically controlled, hydraulically driven radiator fan • 120 volt engine block heater • Emergency shut- off valve - optional • Spark arrestor - optional • Air shut- off valve - optional 	

■ Hydraulic System

Main Pumps

- Two section, fixed displacement gear pump for 1st and 2nd axle steering circuits, suspension, outriggers, and 3rd and 4th axle steering circuits
- One, fixed displacement gear pump for 5th axle steering circuit
- One, variable displacement piston pump for cooling fan circuit

Hydraulic Reservoir - 48 gal (181.7L) capacity.

Filtration - One, 5- micron filter inside hydraulic reservoir. Accessible for easy filter replacement.

■ Pump Drive

- Engine fan, outriggers, steering, and suspension pumps mounted to engine
- Rear steering pump mounted to back of air compressor
- Ground driven pump mounted to back of transfer case

Carrier Speeds and Gradeability

ZF TraXon Transmission		Governed Speed*			Peak Torque**		
Gear	Ratio	Vehicle Speed		Gradeability	Vehicle Speed		Gradeability
				% Grade			% Grade
		mph	km/h	Min.	mph	km/h	Min.
12th	0.77	55.00	88.00	0.5	50.00	81.00	1.5
11th	1.00	49.00	78.00	1.0	39.00	62.00	2.5
10th	1.30	37.00	60.00	2.5	30.00	48.00	4.0
9th	1.68	29.00	46.00	4.0	23.00	37.00	5.0
8th	2.19	22.00	36.00	5.0	18.00	28.00	7.5
7th	2.83	17.00	27.00	6.0	14.00	22.00	10.0
6th	3.53	14.00	22.00	9.0	11.00	18.00	12.5
5th	4.57	11.00	17.00	12.0	9.00	14.00	16.5
4th	5.94	8.00	13.00	15.0	7.00	10.00	22.5
3rd	7.69	6.00	10.00	22.5	5.00	8.00	30.0
2nd	9.98	5.00	8.00	30.0	4.00	6.00	40.0
1st	12.92	4.00	6.00	37.5	3.00	5.00	40.0
Reverse (1)	12.03	4.00	6.00	35.7	3.00	5.00	40.0
Reverse (2)	9.29	5.00	8.00	27.1	4.00	7.00	36.7

Based on a gross vehicle weight of 135,000 lb (61 235kg) using 525/80R25 tires

* Governed Speed represents maximum speed achieved by each gear on flat road and maximum % grade to maintain that speed.

** Peak Torque represents maximum grade achieved at each gear and corresponding speed at each grade and gear (Engine rpm @ 1,600 rpm for all gears).

ZF TraXon Transmission		Transfer Case High			Transfer Case Low		
Gear	Ratio	Vehicle Speed		Gradeability	Vehicle Speed		Gradeability
				% Grade			% Grade
		mph	km/h	Min.	mph	km/h	Min.
6th	3.53	4.80	8.00	6.0	1.20	2.00	57.0
5th	4.57	3.70	6.00	8.0	0.90	1.00	57.0
4th	5.94	2.90	5.00	11.0	0.70	1.00	57.0
3rd	7.69	2.20	4.00	15.0	0.50	1.00	57.0
2nd	9.98	1.70	3.00	20.0	0.40	1.00	57.0
1st	12.92	1.30	2.00	26.0	0.30	1.00	57.0
Reverse (1)	12.03	1.40	2.00	24.2	0.30	1.00	57.0
Reverse (2)	9.29	1.80	3.00	18.3	0.40	1.00	57.0

Cross- Axle Lock are limited to 1st gear; Inter- Axle Lock is limited to 1st through 6th gears.

ZF TraXon Transmission		Governed Speed*			Peak Torque**		
Gear	Ratio	Vehicle Speed		Gradeability	Vehicle Speed		Gradeability
				% Grade			% Grade
		mph	km/h	Min.	mph	km/h	Min.
12th	0.77	55.00	88.00	0.5	50.00	81.00	1.0
11th	1.00	49.00	78.00	1.0	39.00	62.00	2.0
10th	1.30	37.00	60.00	2.0	30.00	48.00	3.0
9th	1.68	29.00	46.00	3.0	23.00	37.00	4.5
8th	2.19	22.00	36.00	4.0	18.00	28.00	6.0
7th	2.83	17.00	27.00	6.0	14.00	22.00	8.0
6th	3.53	14.00	22.00	7.0	11.00	18.00	10.0
5th	4.57	11.00	17.00	10.0	9.00	14.00	14.0
4th	5.94	8.00	13.00	13.0	7.00	10.00	18.0
3rd	7.69	6.00	10.00	15.0	5.00	8.00	25.0
2nd	9.98	5.00	8.00	25.0	4.00	6.00	33.0
1st	12.92	4.00	6.00	30.0	3.00	5.00	33.0
Reverse (1)	12.03	4.00	6.00	28.2	3.00	5.00	33.0
Reverse (2)	9.29	5.00	8.00	21.4	4.00	7.00	30.3

Based on a gross vehicle weight of 162,000 lb (72 575kg) using 525/80R25 tires

* Governed Speed represents maximum speed achieved by each gear on flat road and maximum % grade to maintain that speed.

** Peak Torque represents maximum grade achieved at each gear and corresponding speed at each grade and gear (Engine rpm @ 1,600 rpm for all gears).

ZF TraXon Transmission		Transfer Case High			Transfer Case Low		
Gear	Ratio	Vehicle Speed		Gradeability	Vehicle Speed		Gradeability
				% Grade			% Grade
		mph	km/h	Min.	mph	km/h	Min.
6th	3.53	4.80	8.00	5.0	1.20	2.00	44.0
5th	4.57	3.70	6.00	7.0	0.90	1.00	44.0
4th	5.94	2.90	5.00	10.0	0.70	1.00	44.0
3rd	7.69	2.20	4.00	12.5	0.50	1.00	44.0
2nd	9.98	1.70	3.00	17.5	0.40	1.00	44.0
1st	12.92	1.30	2.00	21.0	0.30	1.00	46.0
Reverse (1)	12.03	1.40	2.00	20.1	0.30	1.00	46.0
Reverse (2)	9.29	1.80	3.00	15.4	0.40	1.00	44.0

Cross- Axle Lock are limited to 1st gear; Inter- Axle Lock is limited to 1st through 6th gears.

■ Lower Cab and Controls

Environmental Cab - Fully enclosed, dual occupancy cab of aluminum constructed with acoustical insulation.

Equipped with:

- Tinted and tempered glass windows
- Power left and right door windows for ventilation
- Intermittent windshield wiper and washer
- Six- way adjustable and air suspended driver's seat with seat belt
- Passenger seat with integrated storage
- Two heated and electrically adjustable side view mirrors with passenger infrared camera
- Engine dependent warm- water heater with air ducts for chest/face, foot, and windshield defroster
- Adjustable sun visor
- LED dome lights
- Fire extinguisher

Air Conditioning - Integral with cab heating system utilizing same ventilation outlets

- Automatic temperature control

Overhead Console - Located above sun visor

- AM/FM Bluetooth radio
- Dome light switch
- 12V accessory power outlet

Camera Display - Integrated with right side LCD display

- Displays right side of machine
- Displays rear view
- Displays dolly rear view - option

Cab Instrumentation - Ergonomically positioned instrumentation for driving including:

- Digital speedometer with odometer, hour meter, trip meter, clock and outside temperature.
- Tachometer
- Fuel and diesel exhaust fluid (DEF) level with warning indicator

Indicator Lights

- Regeneration inhibit
- Check engine
- Stop engine
- Exhaust regeneration
- High exhaust temperature
- Engine air filter high restriction light
- Cruise
- Park brake
- Tire pressure warning
- ABS
- Trailer ABS
- Steer computer
- Steer pump
- Steer hydraulic oil level
- Intarder level
- Engine brake level
- Transaxle (cross- axle) differential lock
- Inter- axle differential lock
- Transfer case
- Travel mode
- Ride height
- Diesel Exhaust Fluid (DEF)
- Seat belt
- Traction control
- Hill hold start

Dash Mounted Controls For:

- Carrier lights
- Console dimmer switch
- Remote mirror control switches
- Mirror heating switch
- Cab heater/air conditioning switch
- Fresh/Recirculation air switch
- Park brake air valve
- Trailer brake air valve
- Carrier engine ignition switch

Dash Mounted Indicators For:

- Turn signal indication
- High beam headlights

Right Side LCD Display - Ergonomically positioned on right of driver's dash panel, digital instrumentation and indicators for crane operations including:

- Transmission digital readout

Gauges

- Engine water temperature
- Engine oil pressure

Diagnostic Screens

- Engine
- After treatment
- Suspension/Outriggers
- Intarder
- Tire Pressure Monitoring Screen (TPMS)

Right Side Console - Controls and indicators for:

- Transmission gear shifting
- Steering electronic control panel
- Auxiliary transmission range selector switch
- Intarder on/off switch
- Diesel particulate filter switch
- Regeneration inhibit switch
- Fan override switch
- ABS Traction control switch
- Transaxle (cross- axle) differential lock switch with indicator light
- Inter- axle differential lock switch with indicator light
- Travel mode switch
- Front axles (axles 1 & 2) suspension height switch
- Rear axles (axles 3- 5) suspension height switch
- Ride height switch
- Hill hold start switch

Steering Column/Wheel Controls For:

- Turn signal switch
- High beam switch
- Tilt/telescope adjustments
- Cruise Control
- Engine brake control
- Warning horn
- Hazard light switch
- Intarder brake control
- Intermittent windshield wiper and washer

Foot Controls For:

- Carrier service brakes
- Engine throttle

Carrier Fuse & Relay Center - Located inside cab passenger dash contains:

- Fuses and relays for carrier functions

Diagnostic Ports - Located under dash to left of steer column:

- OBD
- Transmission
- CANBUS
- CB radio hook ups

■ Additional Equipment

Standard:

- Aluminum full deck fenders
- Two storage boxes located between axle 4 and 5, one on each side
- Air hose connection ports
- Clearance flags
- Front and rear anchor shackles
- Pneumatic and electrical quick disconnect connections mounted to rear for trailer or boom dolly brakes and lights

Optional:

- Rear mounted pintle hook
- Oversize load sign mounted below front bumper
- Third axle lift
- Hydraulic quick disconnects for outrigger beam removal

Transport Scenarios - Axle Loads

Machine Configuration:

Base crane equipped with 525/80R25 tires, main winch with 1,100 ft (335m) KC wire rope, hoist drum follower, 40 ton (37mt) 1- sheave hook block at front bumper, auxiliary lifting sheave, full tank of fuel, 250 lb driver, and 500 lb in storage boxes.



8' 8.1" (2.6m)	5' 5" (1.7m)	8' 13" (2.4m)	5' 5" (1.7m)		
Axle 1 27,386 lb 12.4mt	Axle 2 27,938 lb 12.7mt	Axle 3 26,659 lb 12.7mt	Axle 4 27,241 lb 12.4mt	Axle 5 27,075 lb 12.3mt	GVW 136,207 lb 61.8mt

Axle Load Transfer Option Substitution (Boom Over Front)		Axle 1	Axle 2	Axle 3	Axle 4	Axle 5
Add: 42'- 71' Hyd Offsetable Fly	lb	2,893	2,893	- 203	- 203	- 203
	mt	1.3	1.3	- 0.10	- 0.10	- 0.10
Add: Auxiliary winch w/ 775 ft wire rope	lb	- 1,995	- 1,995	2,678	2,678	2,678
	mt	- 0.90	- 0.90	1.2	1.2	1.2
Add: Counterweight Tray	lb	2,799	2,799	800	800	800
	mt	1.3	1.3	0.40	0.40	0.40
Add: 12 ton Hook Ball	lb	763	763	- 225	- 225	- 225
	mt	0.30	0.30	- 0.10	- 0.10	- 0.10
Substitute: 445/95R25 tires	lb	- 183	- 183	- 183	- 183	- 183
	mt	- 0.10	- 0.10	- 0.10	- 0.10	- 0.10
Remove: 40 ton Hook Block	lb	- 1,340	- 1,340	395	395	395
	mt	- 0.60	- 0.60	0.20	0.20	0.20

Transport Scenarios - 3- Axle Boom Dolly

Machine Configuration:

Base crane equipped with 525/80R25 tires, main winch with 1,100 ft (335m) KC wire rope, hoist drum follower, 42'- 71' hydraulically offsettable fly stored, 40 ton (37mt) 1- sheave hook block at boom head, auxiliary lifting sheave, boom extended, full tank of fuel, 250 lb driver, and 500 lb in storage boxes. Boom Dolly: Nelson Manufacturing 3- axle close couple dolly. Est weight: 9,000 lb (4082kg)



	8' 8.1" (2.64m)	5' 5" (1.65m)	8' 0.1" (2.44m)	5' 5" (1.65m)	18' 1.4" (5.52m)	4' 11.8" (1.52m)	4' 11.8" (1.52m)	
Axle 1	Axle 2	Axle 3	Axle 4	Axle 5		Dolly	GVW	
15,798 lb	16,314 lb	19,841 lb	20,503 lb	20,283 lb		57,720 lb	150,385 lb	
7.2mt	7.4mt	9.0mt	9.3mt	9.2mt		26.2mt	68.2t	

**0 lb
(0 mt)**

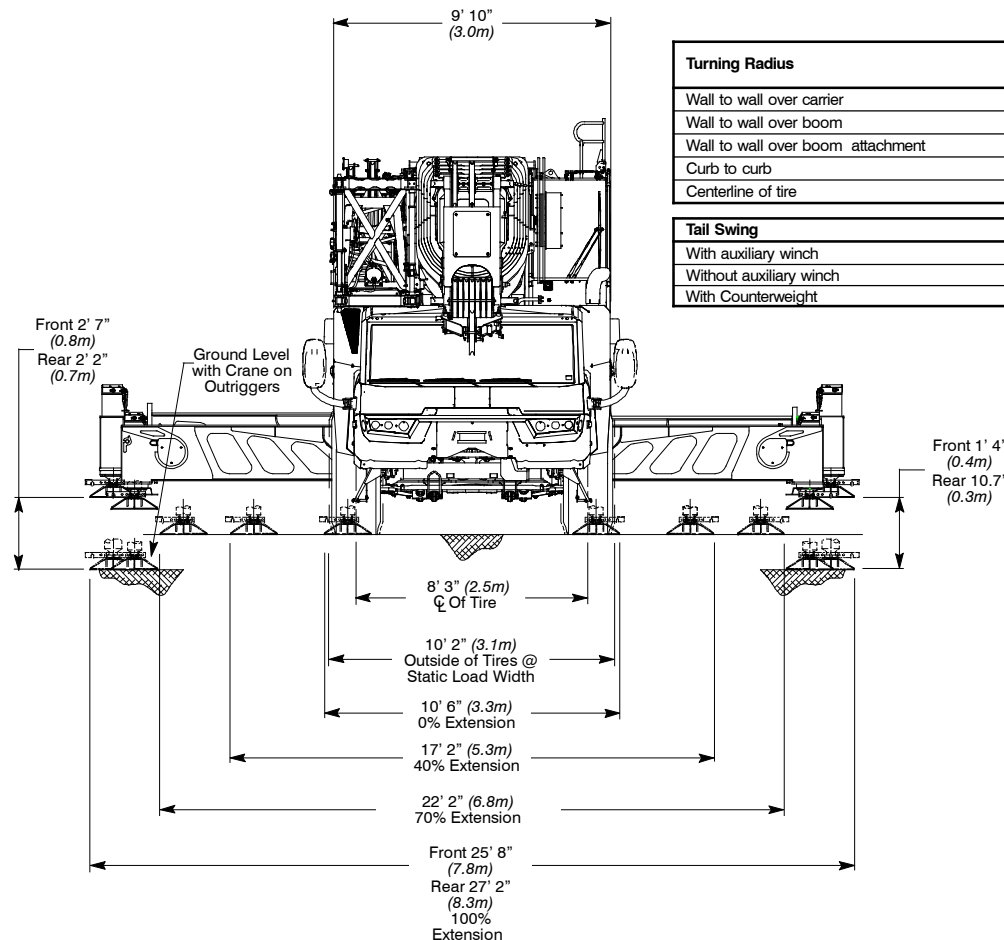
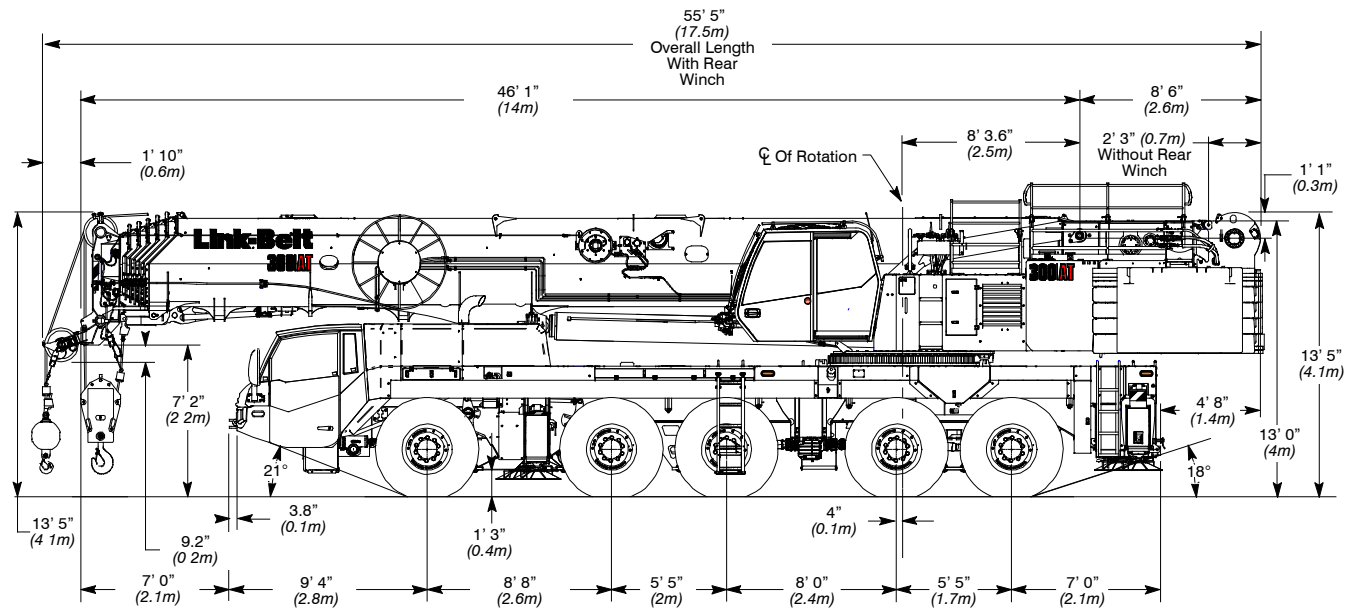
With Counterweight Tray Installed:



	8' 8.1" (2.64m)	5' 5" (1.65m)	8' 0.1" (2.44m)	5' 5" (1.65m)	18' 1.4" (5.52m)	4' 11.8" (1.52m)	4' 11.8" (1.52m)	
Axle 1	Axle 2	Axle 3	Axle 4	Axle 5		Dolly	GVW	
19,988 lb	20,540 lb	21,852 lb	22,524 lb	22,358 lb		51,122 lb	158,385 lb	
9.1mt	9.3mt	9.9mt	10.2mt	10.1mt		23.2mt	71.8t	

**8,000 lb
(3.6 mt)**

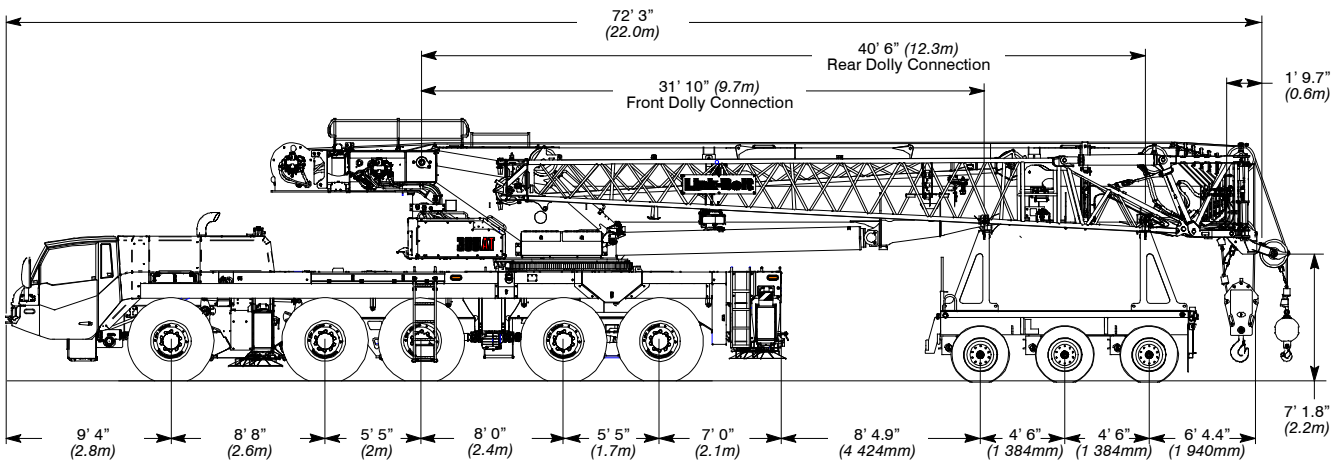
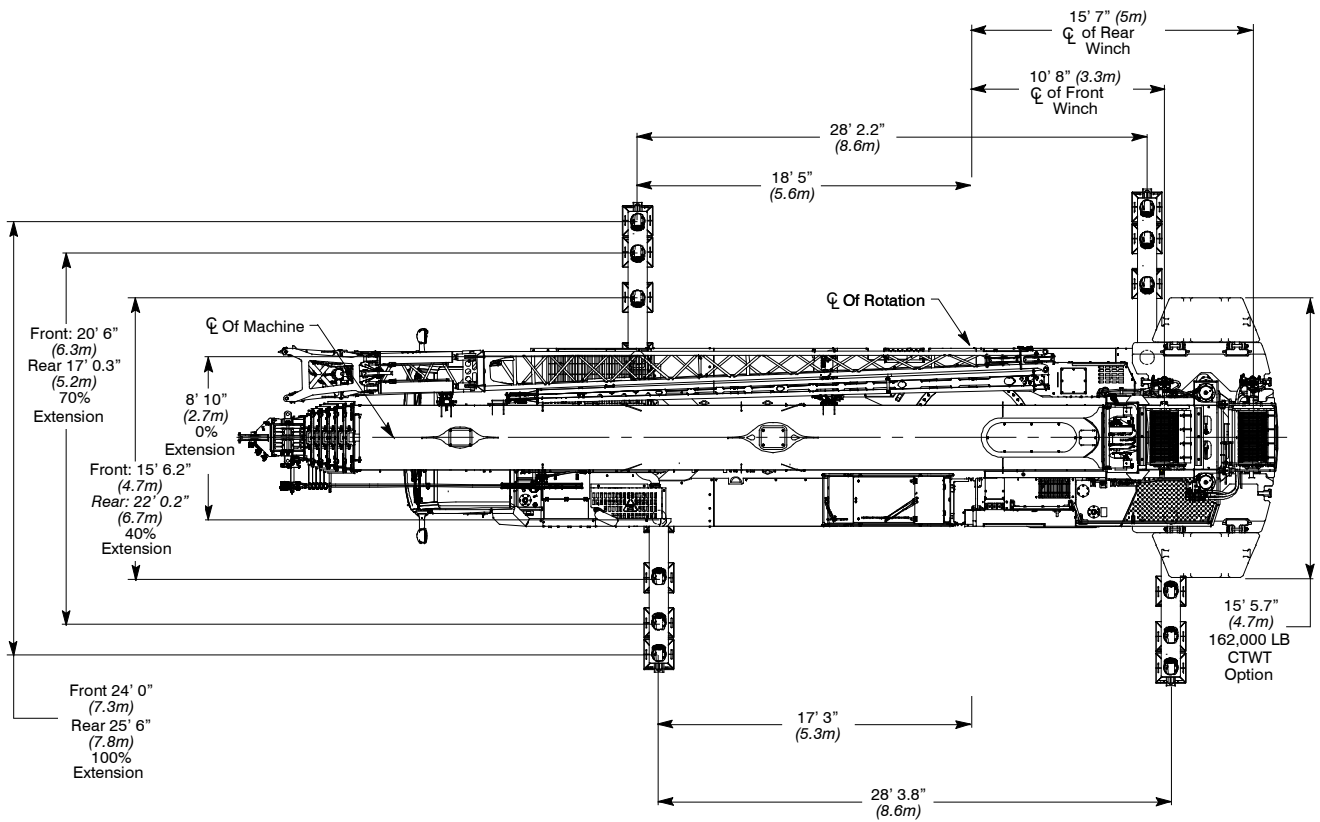
General Dimensions



Turning Radius	525/80R25	
	English	Metric
Wall to wall over carrier	46'- 11.3"	14.3m
Wall to wall over boom	42'- 5.6"	12.9m
Wall to wall over boom attachment	44'- 4"	13.5m
Curb to curb	34'- 10.9"	10.6m
Centerline of tire	41'- 11.2"	12.8m

Tail Swing	English	Metric
	With auxiliary winch	16'- 10.3"
Without auxiliary winch	36'- 3.9"	11.1m
With Counterweight	17'- 0"	5.2m

Not To Scale

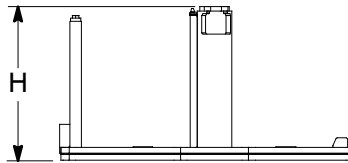
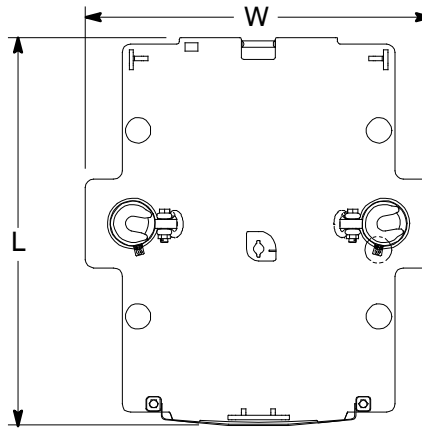


Not To Scale

Counterweights

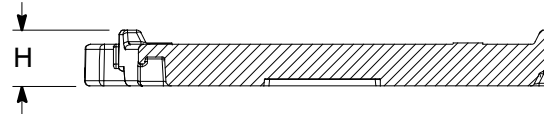
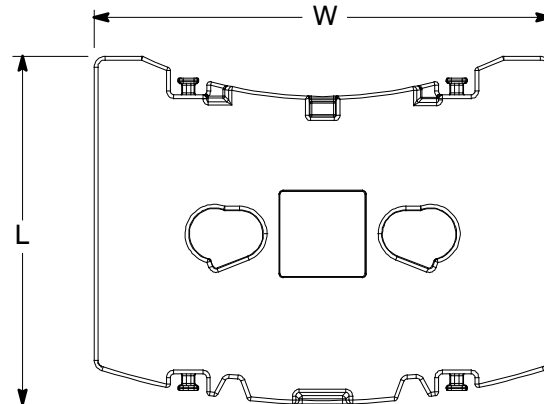
Counterweight Tray (A) ①

Length	89.6 in	(2 277mm)
Width	106.0 in	(2 692mm)
Height	39.6 in	(1 006mm)
Weight	8,000 lb	(3.6mt)



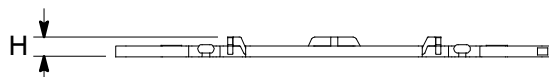
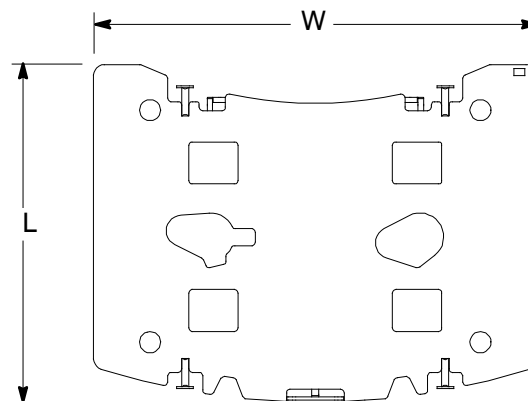
Counterweight Cast (B) ①

Length	95.8 in	(2 434mm)
Width	110.0 in	(2 794mm)
Height	13.9 in	(352 mm)
Weight	22,000 lb	(10mt)



Counterweight (C) ①

Length	92.0 in	(2 337mm)
Width	126 in	(3 200mm)
Height	5.5 in	(140mm)
Weight	8,000 lb	(3.6mt)

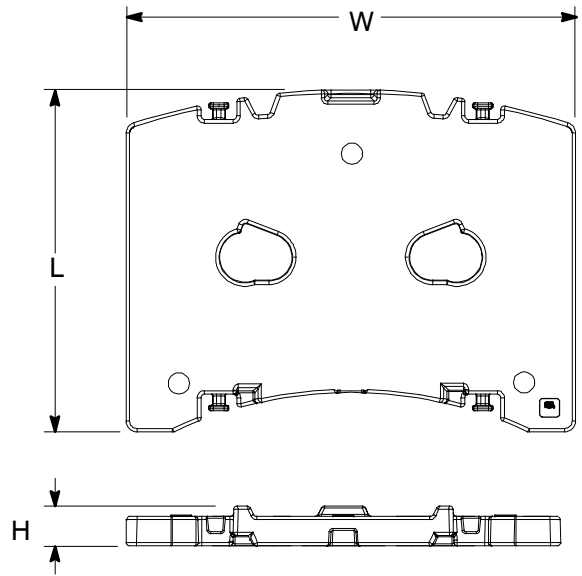


Number inside black circle “①” = # of components

* - Optional equipment

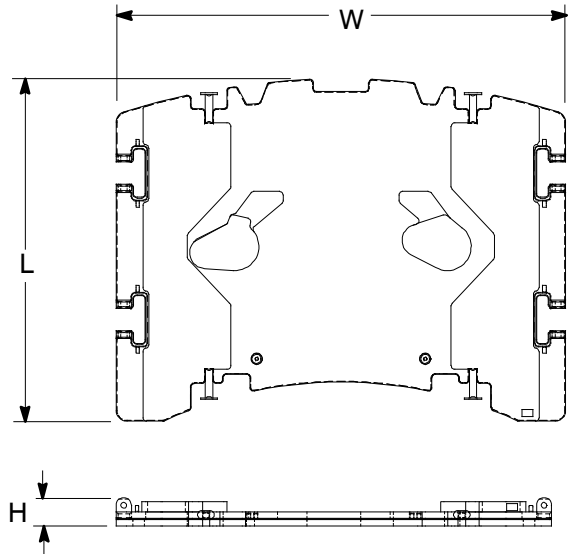
Counterweight (D) ③

Length	94.0 in	(2 387mm)
Width	126.00 in	(3 199mm)
Height	11.6 in	(294mm)
Weight	22,000 lb	(6.4mt)



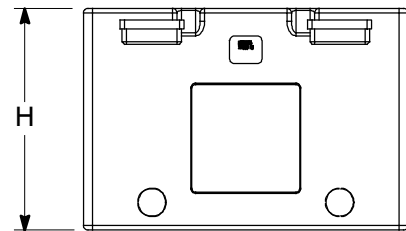
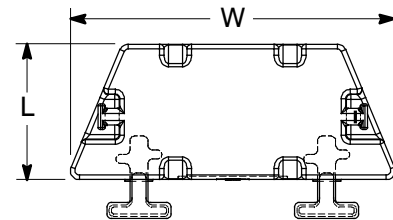
Top Counterweight (E) ①

Length	94.0 in	(2 387mm)
Width	126.00 in	(3 199mm)
Height	11.6 in	(294mm)
Weight	14,000 lb	(10.0mt)



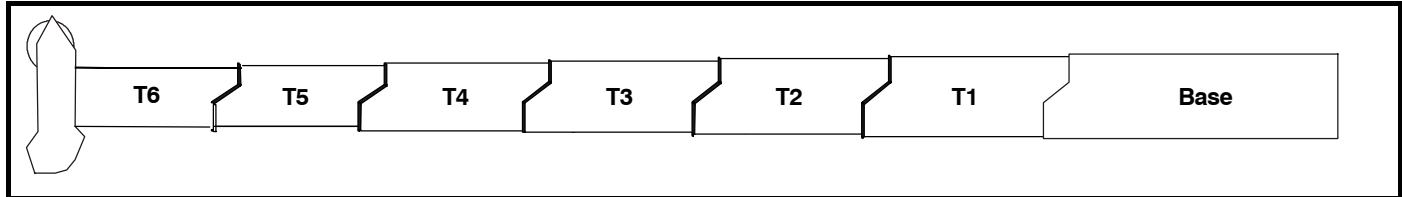
Auxiliary Counterweight (F) ②

Length	29.6 in	(752mm)
Width	71.0 in	(1 803mm)
Height	48.3 in	(1 227mm)
Weight	22,000 lb	(10.0mt)



Number inside black circle “①” = # of components
 * - Optional equipment

Boom Extend Modes



EM 1	Boom Length		Telescope Length					
	ft	m	T6	T5	T4	T3	T2	T1
	46.1	14.05						
75.6	23.05	100%						
106.1	32.35	100%	100%					
137.6	41.94	100%	100%	100%				
170.0	51.83	100%	100%	100%	100%			
203.4	62.00	100%	100%	100%	100%	100%		
220.7	67.28	100%	100%	100%	100%	100%	50%	
238.7	72.55	100%	100%	100%	100%	100%	100%	

EM 2	Boom Length		Telescope Length				
	ft	m	T5	T4	T3	T2	T1
	42.7	13.03					
57.3	17.47	50%					
87.4	26.63	50%	100%				
118.3	36.05	50%	100%	100%			
150.1	45.74	50%	100%	100%	100%		
165.0	50.29	50%	100%	100%	100%	46%	
182.7	55.69	50%	100%	100%	100%	100%	

EM 3	Boom Length		Telescope Length					
	ft	m	T6	T5	T4	T3	T2	T1
	46.1	14.05						
75.6	23.05	100%						
106.1	32.35	100%	100%					
121.9	37.15	100%	100%	50%				
138.1	42.09	100%	100%	50%	50%			
154.8	47.18	100%	100%	50%	50%	50%		
172.1	52.45	100%	100%	50%	50%	50%	50%	
189.4	57.73	100%	100%	50%	50%	50%	100%	

EM 4	Boom Length		Telescope Length				
	ft	m	T5	T4	T3	T2	T1
	42.7	13.03					
71.9	21.91	100%					
86.9	26.49	100%	50%				
102.4	31.20	100%	50%	50%			
118.3	36.04	100%	50%	50%	50%		
135.0	41.15	100%	50%	50%	50%	51%	
150.9	45.99	100%	50%	50%	50%	100%	

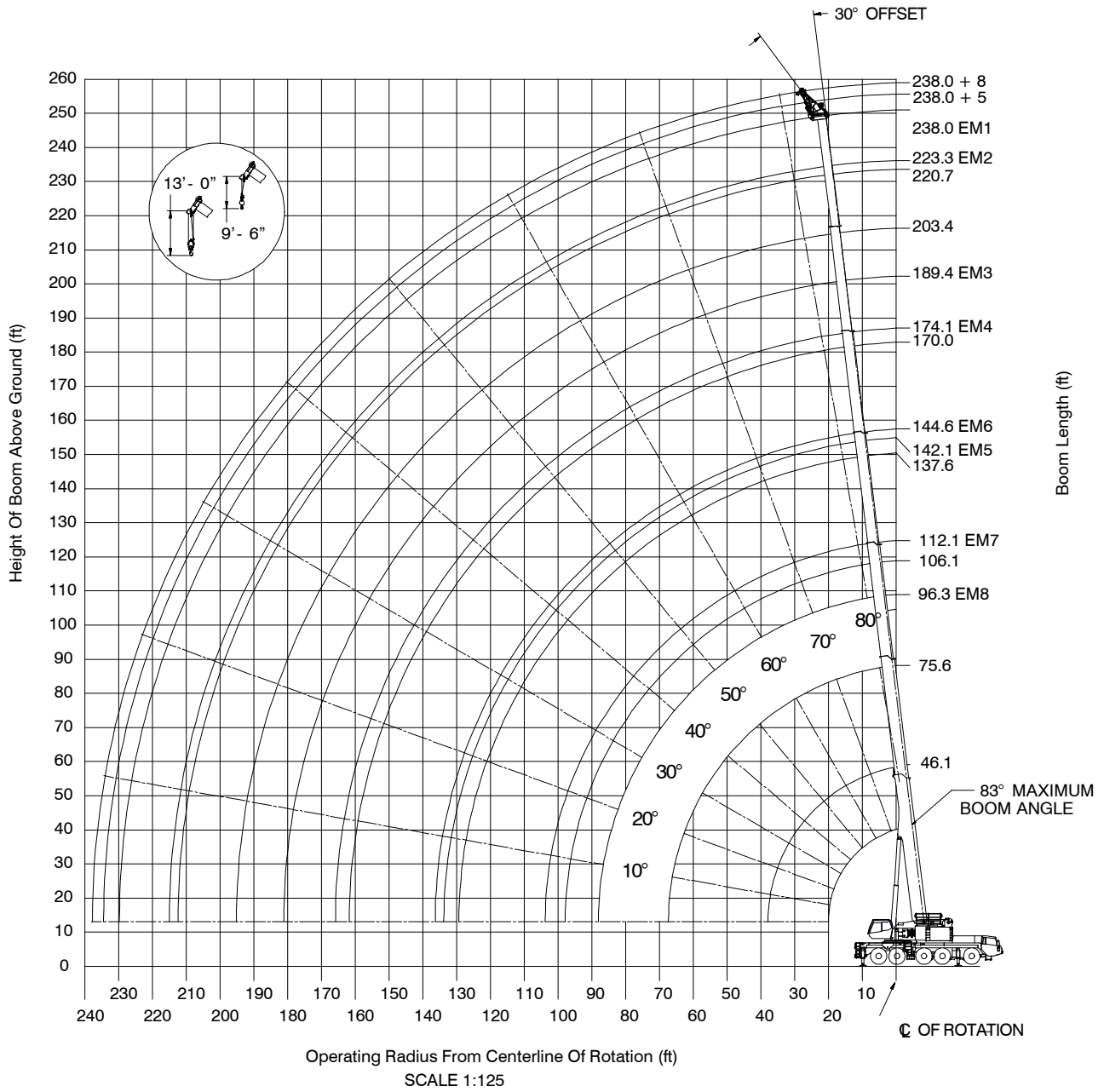
EM 5	Boom Length		Telescope Length					
	ft	m	T6	T5	T4	T3	T2	T1
	46.1	14.05						
60.9	18.55	50%						
76.1	23.20	50%	50%					
91.9	28.00	50%	50%	50%				
108.1	32.94	50%	50%	50%	50%			
124.8	38.03	50%	50%	50%	50%	50%		
142.1	43.30	50%	50%	50%	50%	50%	50%	

EM 6	Boom Length		Telescope Length				
	ft	m	T5	T4	T3	T2	T1
	42.7	13.03					
57.8	17.61		50%				
73.2	22.32		50%	50%	0%		
89.1	27.16		50%	50%	50%		
105.0	32.00		50%	50%	50%	49%	
121.8	37.11		50%	50%	50%	100%	

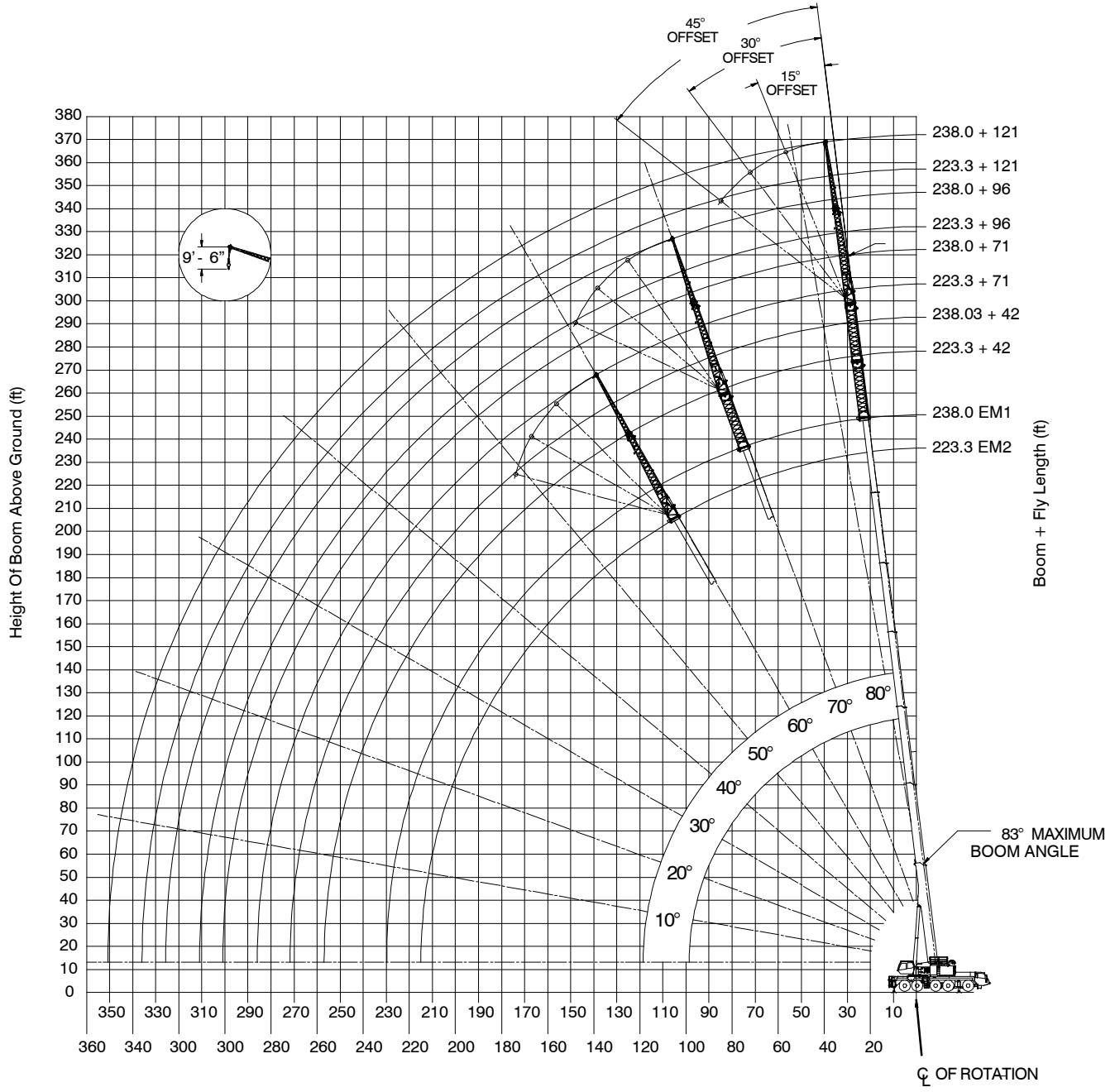
EM 7	Boom Length		Telescope Length					
	ft	m	T6	T5	T4	T3	T2	T1
	46.1	14.05						
61.8	18.85			50%				
78.1	23.79			50%	50%			
94.7	28.88			50%	50%	50%		
112.1	34.15			50%	50%	50%	50%	

EM 8	Boom Length		Telescope Length					
	ft	m	T6	T5	T4	T3	T2	T1
	46.1	14.05						
62.3	19.00				50%			
79.0	24.08				50%	50%		
96.3	29.36				50%	50%	50%	

Working Range Diagram - Main Boom



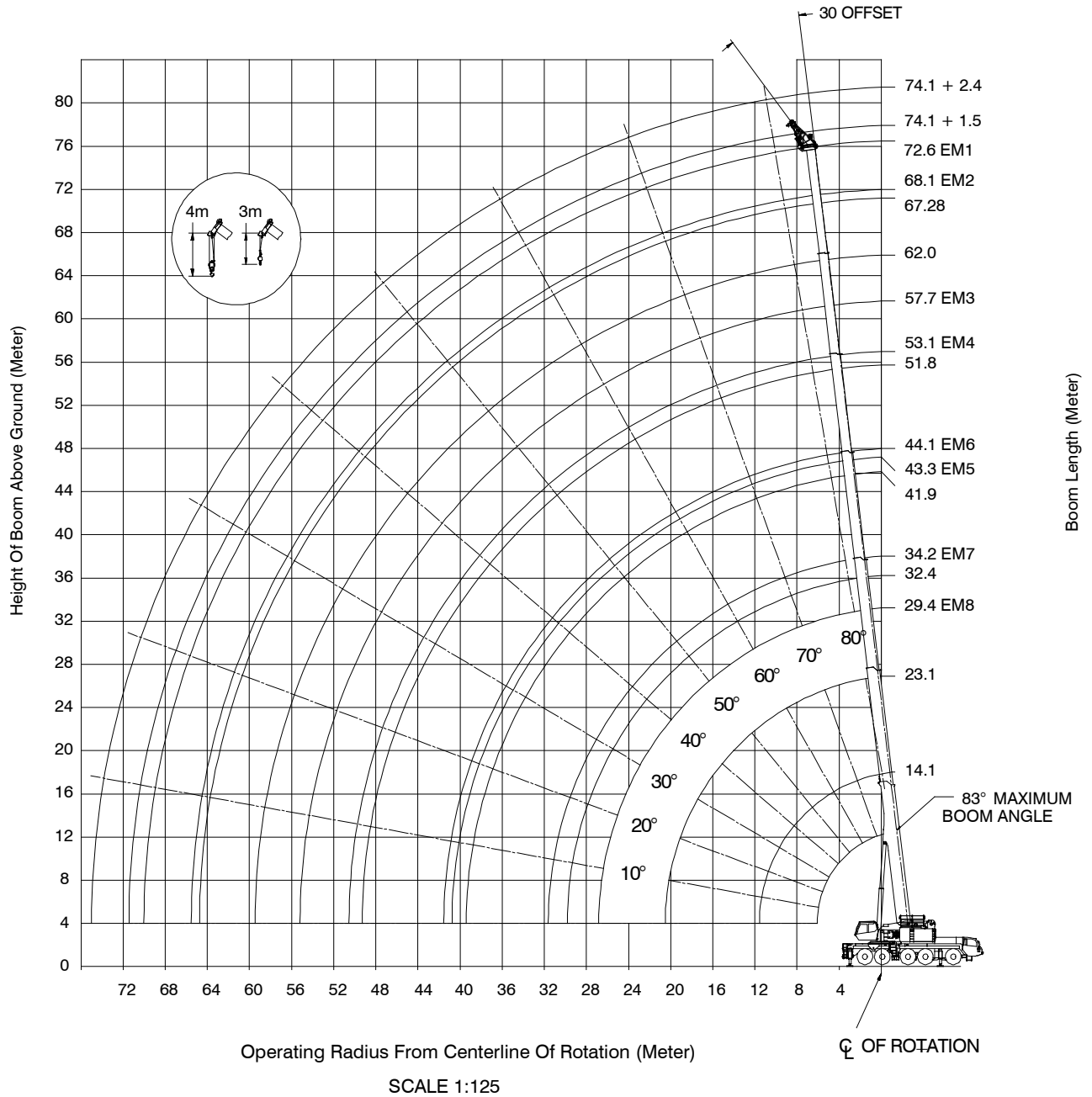
Working Range Diagram - Main Boom + Fly



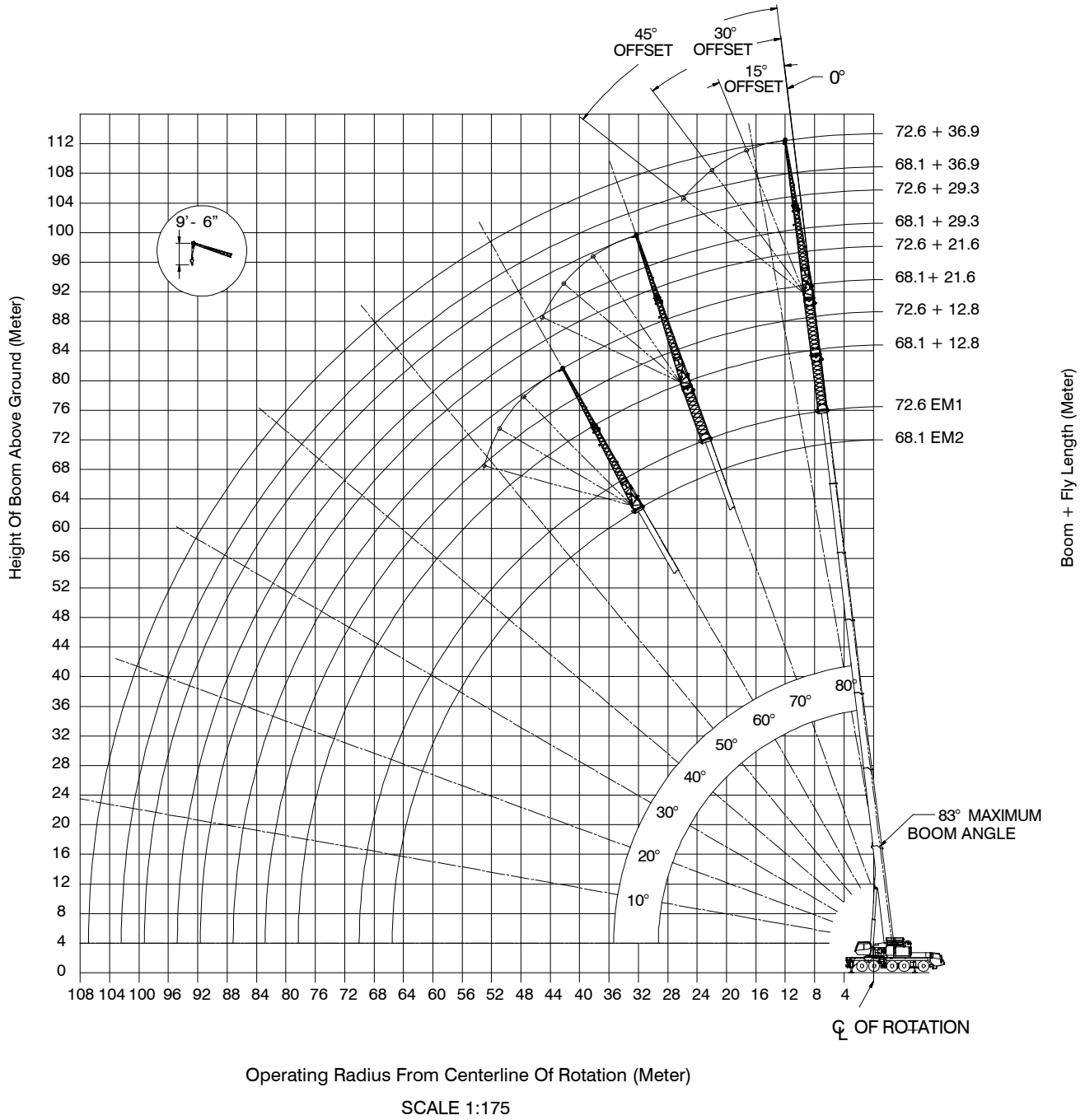
Operating Radius From Centerline Of Rotation (ft)

SCALE 1:175

Working Range Diagram - Main Boom (Metric)



Working Range Diagram - Main Boom + Fly (Metric)



Main Boom Lift Capacity Charts - Standard

30,000 lb Counterweight - Fully Extended Outriggers - 360° Rotation (All Capacities Are Listed In Pounds)														
Radius (ft)	Boom Length (ft)													Radius (ft)
	46.11	60.86-62.32	75.62-79.01	90.88-96.32	106.14-112	121.87-127	137.60-144	154.78-156	170.03-174	188.69-189	203.41-205	220.72-223	238.03	
10	334,700	329,100												10
12	304,700	301,600	293,800											12
15	255,900	254,900	244,700	233,900										15
20	178,000	182,000	178,900	174,400	168,400									20
25	125,700	133,000	135,700	135,900	134,500	130,500	107,800							25
30	87,400	95,900	99,300	100,400	100,000	98,500	96,100	75,500	62,500					30
35	64,600	72,800	76,100	77,100	76,800	75,700	77,300	75,000	62,500	48,900	38,300			35
40		57,300	60,700	61,700	63,800	63,300	61,900	59,900	58,100	48,900	38,300	33,300		40
45		45,700	50,100	51,800	52,200	51,700	51,600	51,200	49,200	47,500	38,300	33,300	27,500	45
50		37,100	41,400	43,100	43,500	44,200	43,800	42,600	41,300	40,800	38,300	33,300	27,500	50
55			34,700	36,600	37,700	37,900	37,400	36,200	37,100	34,200	34,600	31,600	27,500	55
60			29,400	31,300	32,500	32,600	32,800	30,900	31,800	29,000	30,000	28,700	27,500	60
65			25,100	26,900	28,200	28,300	28,500	26,700	27,500	24,800	25,800	24,500	23,300	65
70			14,600	23,400	24,600	24,800	24,900	23,200	24,000	21,300	22,300	21,000	20,300	70
75				20,400	21,600	21,900	22,000	20,400	21,300	18,700	19,700	18,400	17,400	75
80				17,900	19,100	19,500	19,600	17,900	18,800	16,200	17,200	15,900	14,900	80
85				9,300	16,900	17,200	17,400	15,800	16,600	14,100	15,000	13,800	12,800	85
90					15,000	15,300	15,500	13,900	14,700	12,200	13,100	11,900	10,900	90
95					13,300	13,600	13,800	12,200	13,100	10,600	11,500	10,300	9,300	95
100					6,500	12,100	12,300	10,800	11,600	9,100	10,000	8,900	7,800	100
105						10,700	10,900	9,400	10,300	7,800	8,700	7,600	6,600	105
110						9,500	9,700	8,200	9,100	6,700	7,600	6,400	5,400	110
115						4,900	8,600	7,100	8,000	5,600	6,500	5,400	4,400	115
120							7,700	6,200	7,000	4,700	5,600	4,400	3,400	120
125							6,800	5,300	6,100	3,800	4,700	3,500	2,600	125
130							3,700	4,500	5,300	3,000	3,900	2,800		130
135								3,700	4,500	2,300	3,200			135
140								3,000	3,900		2,500			140
145								2,400	3,200					145
150									2,600					150
155									2,100					155

Note: Capacities depict multiple boom modes.

This information is not for crane operation. Operator must refer to in-cab information for crane operation. Rated lifting capacities shown on fully extended outriggers do not exceed 85% of tipping loads.

118,000 lb Counterweight - Fully Extended Outriggers - 360° Rotation (All Capacities Are Listed In Pounds)														
Radius (ft)	Boom Length (ft)												Radius (ft)	
	46.11	60.86 - 62.32	75.62 - 79.01	90.88 - 96.32	106.14 - 112	121.87 - 127	137.60 - 144	154.78 - 156	170.03 - 174	188.69 - 189	203.41 - 205	220.72 - 223		238.03
10	341,000	331,400												10
12	312,900	307,000	294,600											12
15	276,000	273,600	266,400	242,900										15
20	228,100	228,400	224,100	208,400	188,400									20
25	191,300	193,600	190,000	181,900	165,600	139,600	107,800							25
30	153,600	158,400	154,300	152,100	147,400	136,600	102,800	75,500	62,500					30
35	126,000	131,200	130,400	128,900	126,200	123,400	101,800	75,500	62,500	48,900	38,300			35
40		111,000	110,600	109,500	110,600	108,200	101,800	75,500	62,500	48,900	38,300	33,300		40
45		95,400	95,900	96,100	96,100	94,200	95,100	71,800	62,500	48,900	38,300	33,300	27,500	45
50		81,100	83,500	84,000	83,000	85,000	83,100	68,000	62,500	48,900	38,300	33,300	27,500	50
55			73,700	72,700	74,500	73,700	71,800	64,100	62,300	48,900	38,300	33,300	27,500	55
60			64,800	65,500	65,800	64,700	63,100	60,900	58,300	48,900	38,300	33,300	27,500	60
65			57,400	58,500	58,500	57,500	55,700	57,200	54,600	47,200	38,300	33,300	27,500	65
70			45,300	52,300	52,300	51,400	52,300	51,000	49,600	44,900	37,300	33,300	27,500	70
75				47,100	47,000	46,200	47,600	45,900	44,500	42,500	35,200	33,300	27,500	75
80				42,700	42,700	44,000	43,200	41,700	40,300	40,700	33,300	33,300	27,500	80
85				43,000	38,800	40,400	39,500	37,800	37,100	37,300	31,500	33,200	27,500	85
90					36,300	37,000	36,000	34,500	35,300	33,900	29,900	31,500	27,500	90
95					34,300	34,000	33,000	31,500	32,300	31,000	28,400	30,000	27,500	95
100					27,100	31,300	30,400	30,100	29,700	28,400	27,000	27,400	27,500	100
105						28,900	28,000	28,800	27,300	26,000	25,600	25,200	25,900	105
110						26,800	25,800	26,600	25,100	23,900	23,900	24,000	23,700	110
115						22,500	24,000	24,700	23,200	22,000	22,000	22,800	21,800	115
120							23,100	22,900	21,400	20,500	20,600	21,100	20,400	120
125							22,300	21,300	20,000	19,200	19,000	19,800	18,900	125
130							19,200	20,000	18,600	18,200	18,200	18,400	17,400	130
135							12,300	18,600	17,200	17,200	17,300	17,000	16,100	135
140								17,400	16,000	15,900	16,500	15,800	14,800	140
145								16,300	14,800	14,800	15,700	14,600	13,700	145
150									13,900	13,700	14,600	13,500	12,600	150
155									13300	12,700	13,600	12,500	11,600	155
160									12,800	11,800	12,700	11,600	10,700	160
165									9,000	10,900	11,800	10,700	9,800	165
170										10,100	11,000	9,900	9,000	170
175										9,400	10,200	9,100	8,200	175
180										8,000	9,500	8,400	7,500	180
185											8,800	7,800	6,900	185
190											8,200	7,100	6,200	190
195											5,600	6,500	5,600	195
200												6,000	5,000	200
205												5,400	4,500	205
210													4,000	210
215													3,500	215
220													3,100	220

Note: Capacities depict multiple boom modes.

This information is not for crane operation. Operator must refer to in- cab information for crane operation. Rated lifting capacities shown on fully extended outriggers do not exceed 85% of tipping loads.

162,000 lb Counterweight - Fully Extended Outriggers - 360° Rotation (All Capacities Are Listed In Pounds)														
Radius (ft)	Boom Length (ft)													Radius (ft)
	46.11	60.86-62.32	75.62-79.01	90.88-96.32	106.14-112	121.87-127	137.60-144	154.78-156	170.03-174	188.69-189	203.41-205	220.72-223	238.03	
8	600,000**													8
10	340,800	327,700												10
12	315,300	307,100	294,200											12
15	279,800	276,000	267,400	242,900										15
20	232,000	231,700	226,900	208,400	188,400									20
25	196,200	197,400	194,200	181,900	165,600	139,600	107,800							25
30	168,800	170,900	168,600	160,900	147,400	136,600	102,800	75,500	62,500					30
35	145,900	149,200	147,000	144,100	132,400	123,400	101,800	75,500	62,500	48,900	38,300			35
40		129,100	125,900	125,600	120,000	112,300	101,800	75,500	62,500	48,900	38,300	33,300		40
45		111,400	111,100	110,100	107,800	102,900	99,900	71,800	62,500	48,900	38,300	33,300	27,500	45
50		97,500	97,300	96,500	94,500	94,700	92,600	68,000	62,500	48,900	38,300	33,300	27,500	50
55			86,000	85,500	87,100	85,200	85,900	64,100	62,300	48,900	38,300	33,300	27,500	55
60			77,300	77,100	78,100	76,100	77,700	60,900	58,300	48,900	38,300	33,300	27,500	60
65			70,900	71,200	70,300	71,400	70,100	58,000	54,600	47,200	38,300	33,300	27,500	65
70			50,000	64,500	63,800	65,400	63,700	55,300	51,300	44,900	37,300	33,300	27,500	70
75				58,400	57,900	59,700	58,000	52,900	48,300	42,500	35,200	33,300	27,500	75
80				53,000	54,700	54,300	52,700	50,700	45,600	40,700	33,300	33,300	27,500	80
85				42,600	50,400	49,500	48,000	48,600	43,100	38,900	31,500	33,200	27,500	85
90					46,300	45,400	43,900	45,300	40,600	37,300	29,900	31,500	27,500	90
95						42,800	41,900	41,900	41,800	38,400	35,800	28,400	27,500	95
100						34,700	38,700	40,100	38,600	36,300	34,400	27,000	28,700	100
105							35,800	37,200	35,700	34,400	33,200	25,600	27,300	105
110							34,600	34,600	33,100	31,900	31,600	24,400	26,100	110
115							28,100	32,300	30,700	29,500	30,100	23,300	24,900	115
120								30,100	28,600	27,900	28,200	22,200	23,800	120
125								28,200	26,700	26,900	26,300	21,000	22,700	125
130								23,600	24,900	25,700	24,500	20,000	21,400	130
135								15,900	23,300	24,100	22,900	19,200	20,400	135
140									22,300	22,500	21,300	18,300	19,500	140
145									20,500	21,300	20,200	17,600	18,600	145
150										20,000	18,900	16,800	17,800	150
155										18,800	17,600	16,100	16,800	155
160										17,700	16,500	15,500	15,700	160
165										10,200	15,500	14,800	14,700	165
170											14,500	14,200	14,100	170
175											13,600	13,600	13,500	175
180											8,000	12,800	13,000	180
185												11,900	12,500	185
190												11,200	12,000	190
195												5,600	11,300	195
200													10,600	200
205													9,900	205
210														210
215														215
220														220

** Special equipment required. Base rating pick on intermediate outriggers.

This information is not for crane operation. Operator must refer to in- cab information for crane operation. Rated lifting capacities shown on fully extended outriggers do not exceed 85% of tipping loads.

Main Boom Offset Fly Attachment Lift Capacity Charts - Optional

30,000 lb Counterweight - Fully Extended Outriggers - 360° Rotation
 (All Capacities Are Listed In Pounds)

Main Boom + 8 ft Heavy Lift Fly

Radius (ft)	Boom Length (ft)												Radius (ft)	
	46.11	60.86-62.32	75.62-79.01	90.88-96.32	106.14-112	121.87-127	137.60-144	154.78-156	170.03-174	188.69-189	203.41-205	220.72-223		238.03
12	86,000													12
15	86,000	85,900												15
20	86,000	85,900	85,900											20
25	86,000	85,900	85,900	85,800	85,700									25
30	86,000	85,900	85,900	85,800	85,700	85,600	85,400							30
35	70,700	75,100	76,400	78,800	78,200	76,900	74,700	65,800	57,100					35
40	54,900	60,400	62,500	63,100	62,600	61,300	60,100	60,700	57,100	45,100				40
45		48,600	50,800	51,400	50,900	52,400	51,000	50,300	49,800	45,100	36,800			45
50		39,700	42,100	43,900	44,100	43,500	44,200	42,900	41,300	41,000	36,800	32,300	26,600	50
55		31,900	36,100	37,300	37,500	38,200	37,600	36,400	36,700	34,400	33,100	31,900	26,600	55
60			30,600	32,000	32,800	32,800	32,200	31,000	31,800	29,100	30,000	28,700	26,600	60
65			26,100	27,600	28,400	28,400	28,400	26,700	27,400	24,800	25,700	24,400	23,300	65
70			16,300	23,900	24,800	24,800	24,800	23,100	23,800	21,300	22,100	20,900	20,200	70
75				20,900	21,800	21,800	21,800	20,400	21,100	18,600	19,500	18,200	17,200	75
80				18,300	19,300	19,400	19,400	17,800	18,500	16,100	16,900	15,700	14,700	80
85				73,00	17,000	17,200	17,200	15,600	16,300	13,900	14,700	13,500	12,500	85
90					15,000	15,200	15,300	13,700	14,400	12,000	12,800	11,600	10,600	90
95					13,200	13,400	13,600	12,000	12,700	10,300	11,100	9,900	8,900	95
100						11,900	12,000	10,500	11,200	8,800	9,600	8,500	7,500	100
105						10,500	10,600	9,100	9,800	7,500	8,300	7,100	6,100	105
110						5,900	9,400	7,900	8,600	6,300	7,100	6,000	5,000	110
115							8,300	6,800	7,600	5,200	6,000	4,900	3,900	115
120							7,300	5,800	6,600	4,300	5,000	3,900	2,900	120
125								4,900	5,600	3,400	4,200	3,000	2,100	125
130								4,000	4,800	2,600	3,300	2,200		130
135								3,300	4,000		2,600			135
140									3,300					140
145									2,700					145

This information is not for crane operation. Operator must refer to in- cab information for crane operation. Rated lifting capacities shown on fully extended outriggers do not exceed 85% of tipping loads.

118,000 lb Counterweight - Fully Extended Outriggers - 360° Rotation
(All Capacities Are Listed In Pounds)

Main Boom + 8 ft Heavy Lift Fly														
Radius (ft)	Boom Length (ft)													Radius (ft)
	46.11	60.86-62.32	75.62-79.01	90.88-96.32	106.14-112	121.87-127	137.60-144	154.78-156	170.03-174	188.69-189	203.41-205	220.72-223	238.03	
12	86,000													12
15	86,000	85,900												15
20	86,000	85,900	85,900											20
25	86,000	85,900	85,900	85,800	85,700									25
30	86,000	85,900	85,900	85,800	85,700	85,600	85,400							30
35	86,000	85,900	85,900	85,800	85,700	85,600	85,400	65,800	57,100					35
40	86,000	85,900	85,900	85,800	85,600	85,600	85,400	62,000	57,100	45,100				40
45		85,900	85,900	85,800	85,600	85,500	84,100	58,600	57,100	45,100	36,800			45
50		83,600	83,400	83,300	84,100	82,200	80,100	55,500	56,500	45,100	36,800	32,300	26,600	50
55		72,100	73,700	73,700	72,700	73,200	72,400	52,800	53,900	45,100	36,800	32,300	26,600	55
60			64,400	64,600	65,500	65,100	63,500	50,300	51,500	45,100	36,800	32,300	26,600	60
65			57,000	57,200	59,000	57,900	56,100	48,100	49,400	42,700	36,800	32,300	26,600	65
70			46,800	52,900	52,700	51,700	49,900	46,000	47,400	40,700	35,800	32,300	26,600	70
75				47,600	47,400	46,400	44,700	44,100	44,500	38,800	33,700	32,300	26,600	75
80				43,000	42,800	42,100	40,400	41,600	40,300	37,000	31,800	32,300	26,600	80
85				31,900	39,000	38,100	38,600	37,700	36,400	35,400	30,100	31,500	26,600	85
90					35,600	34,700	36,000	34,400	33,000	33,700	28,500	30,000	26,600	90
95					32,500	33,400	32,900	31,400	30,800	30,700	27,000	28,500	26,600	95
100					24,300	31,100	30,200	28,700	29,400	28,100	25,600	27,000	26,600	100
105						28,700	27,800	26,300	27,000	25,700	24,300	24,700	25,300	105
110						26,500	25,600	25,000	24,800	23,600	23,100	22,600	23,300	110
115							23,600	24,000	22,900	21,600	21,600	21,600	21,300	115
120							21,800	22,500	21,100	20,100	20,100	20,500	20,000	120
125							20,400	21,000	19,700	18,500	18,500	19,300	18,300	125
130								19,500	18,200	17,200	17,100	17,800	16,900	130
135								18,200	16,800	16,300	16,200	16,500	15,500	135
140								16,900	15,500	15,500	15,400	15,200	14,300	140
145									14,300	14,300	14,700	14,000	13,100	145
150									13,200	13,200	14,000	13,000	12,100	150
155									12,200	12,200	13,000	11,900	11,000	155
160										11,200	12,000	11,000	10,100	160
165										10,400	11,100	10,100	9,200	165
170										9,500	10,300	9,300	8,400	170
175											9,500	8,500	7,600	175
180											8,800	7,800	6,900	180
185											8,100	7,100	6,200	185
190												6,400	5,500	190
195												5,800	4,900	195
200												5,200	4,400	200
205													3,800	205
210													3,300	210
215													2,800	215

This information is not for crane operation. Operator must refer to in- cab information for crane operation. Rated lifting capacities shown on fully extended outriggers do not exceed 85% of tipping loads.

162,000 lb Counterweight - Fully Extended Outriggers - 360° Rotation
(All Capacities Are Listed In Pounds)

Main Boom + 8 ft Heavy Lift Fly

Radius (ft)	Boom Length (ft)												Radius (ft)	
	46.11	60.86-62.32	75.62-79.01	90.88-69.32	106.14-112	121.87-127	137.60-144	154.78-156	170.03-174	188.69-189	203.41-205	220.72-223		238.03
12	86,000													12
15	86,000	85,900												15
20	86,000	85,900	85,900											20
25	86,000	85,900	85,900	85,800	85,700									25
30	86,000	85,900	85,900	85,800	85,700	85,600	85,400							30
35	86,000	85,900	85,900	85,800	85,700	85,600	85,400	65,800	57,100					35
40	86,000	85,900	85,900	85,800	85,600	85,600	85,400	62,000	57,100	45,100				40
45		85,900	85,900	85,800	85,600	85,500	84,100	58,600	57,100	45,100	36,800			45
50		85,900	85,800	85,700	85,600	85,500	80,100	55,500	56,500	45,100	36,800	32,300	26,600	50
55		85,900	85,800	85,700	84,500	85,500	76,500	52,800	53,900	45,100	36,800	32,300	26,600	55
60			78,000	77,100	78,000	76,600	73,300	50,300	51,500	45,100	36,800	32,300	26,600	60
65			70,000	69,200	70,700	68,800	70,200	48,100	49,400	42,700	36,800	32,300	26,600	65
70			63,300	63,700	64,200	63,700	63,800	46,000	47,400	40,700	35,800	32,300	26,600	70
75				59,100	58,300	59,900	58,100	44,100	45,600	38,800	33,700	32,300	26,600	75
80				53,600	52,900	54,500	52,800	42,300	43,800	37,000	31,800	32,300	26,600	80
85				43,600	48,900	49,700	48,100	40,800	41,500	35,400	30,100	31,500	26,600	85
90					46,400	45,500	44,000	39,300	39,300	33,900	28,500	30,000	26,600	90
95					42,900	42,000	40,500	38,000	37,200	32,500	27,000	28,500	26,600	95
100					34,100	38,700	37,200	36,700	35,300	31,200	25,600	27,100	26,600	100
105						35,800	34,300	35,500	33,400	30,000	24,300	25,800	25,300	105
110						33,100	32,500	32,900	31,600	28,800	23,100	24,600	24,200	110
115							31,400	30,500	29,300	27,800	21,900	23,500	23,000	115
120							29,800	28,300	27,100	26,800	20,800	22,400	22,000	120
125							27,900	26,400	25,200	25,800	19,800	21,200	20,900	125
130							20,900	24,600	23,400	24,100	18,900	20,300	20,000	130
135								22,900	22,500	22,400	18,000	19,400	19,200	135
140								21,400	21,800	21,100	17,200	18,500	18,300	140
145									20,800	19,700	16,400	17,600	17,600	145
150									19,500	18,400	15,700	16,800	16,800	150
155									18,300	17,200	15,000	16,000	16,100	155
160										16,000	14,300	15,200	15,500	160
165										14,900	13,600	14,100	14,700	165
170										13,900	13,000	13,100	13,900	170
175											12,500	12,400	12,900	175
180											11,900	11,800	12,000	180
185											11,300	11,300	11,200	185
190												10,800	10,400	190
195												10,300	9,700	195
200												9,900	9,000	200
205												7,500	8,300	205
210													7,700	210
215													7,100	215
220													6,500	220

This information is not for crane operation. Operator must refer to in- cab information for crane operation. Rated lifting capacities shown on fully extended outriggers do not exceed 85% of tipping loads.

Hydraulic Offset Fly Attachment Lift Capacity Charts - Optional

30,000 lb Counterweight - Fully Extended Outriggers - 360° Rotation
(All Capacities Are Listed In Pounds)

238.0 ft Main Boom Length									
Radius (ft)	42 ft Hydraulic Offset Fly				71 ft Hdraulic Offset Fly				Radius (ft)
	0°	15°	30°	45°	0°	15°	30°	45°	
55	15,400								55
60	15,400	15,900			10,600				60
65	15,400	15,900			10,600				65
70	15,400	15,900			10,600				70
75	15,400	15,900	17,300		10,600	11,000			75
80	14,400	15,900	17,300	16,900	10,600	11,000			80
85	12,200	14,200	16,000	16,800	10,600	11,000			85
90	10,400	12,200	13,900	15,200	10,600	11,000	10,500		90
95	8,700	10,500	12,000	13,200	9,500	11,000	10,400		95
100	7,300	8,900	10,300	11,500	8,100	10,700	10,300	8,500	100
105	6,000	7,500	8,800	9,900	6,700	9,300	10,200	8,400	105
110	4,800	6,200	7,500	8,500	5,600	7,900	10,100	8,300	110
115	3,800	5,100	6,300	7,200	4,500	6,700	8,700	8,200	115
120	2,800	4,100	5,200	6,000	3,500	5,600	7,500	8,200	120
125		3,100	4,200	4,900	2,700	4,700	6,400	7,900	125
130		2,300	3,200	4,000		3,800	5,400	6,800	130
135			2,400	3,100		2,900	4,500	5,800	135
140				2,200		2,200	3,700	4,900	140
145							2,900	4,000	145
150							2,100	3,200	150
155								2,400	155

This information is not for crane operation. Operator must refer to in-cab information for crane operation. Rated lifting capacities shown on fully extended outriggers do not exceed 85% of tipping loads.

118,000 lb Counterweight - Fully Extended Outriggers - 360° Rotation (All Capacities Are Listed In Pounds)									
238.0 ft Main Boom Length									
Radius (ft)	42 ft Hydraulic Offset Fly				71 ft Hydraulic Offset Fly				Radius (ft)
	0°	15°	30°	45°	0°	15°	30°	45°	
55	15,400								55
60	15,400	15,900			10,600				60
65	15,400	15,900			10,600				65
70	15,400	15,900			10,600				70
75	15,400	15,900	17,300		10,600	11,000			75
80	15,400	15,900	17,300	16,900	10,600	11,000			80
85	15,400	15,900	17,300	16,800	10,600	11,000			85
90	15,400	15,900	17,300	16,700	10,600	11,000	10,500		90
95	15,400	15,900	17,300	16,600	10,600	11,000	10,400		95
100	15,400	15,900	17,300	16,500	10,600	11,000	10,300	8,500	100
105	15,400	15,900	17,300	16,400	10,600	11,000	10,200	8,400	105
110	15,400	15,900	17,300	16,300	10,600	11,000	10,100	8,300	110
115	15,400	15,900	17,300	16,200	10,600	11,000	10,000	8,200	115
120	15,400	15,900	17,300	16,100	10,600	11,000	9,900	8,200	120
125	15,400	15,900	17,300	16,000	10,600	11,000	9,800	8,100	125
130	15,400	15,900	17,300	16,000	10,600	11,000	9,700	8,100	130
135	15,400	15,900	17,000	15,900	10,600	11,000	9,600	8,000	135
140	14,200	15,200	16,000	15,800	10,600	11,000	9,500	7,900	140
145	13,000	14,000	14,800	15,300	10,600	11,000	9,400	7,900	145
150	12,000	12,900	13,600	14,100	10,600	11,000	9,300	7,800	150
155	11,000	11,800	12,500	13,000	10,600	10,900	9,300	7,800	155
160	10,100	10,900	11,500	12,000	10,600	10,800	9,200	7,700	160
165	9,200	10,000	10,600	11,000	9,800	10,700	9,100	7,700	165
170	8,400	9,100	9,700	10,100	9,000	10,300	9,000	7,700	170
175	7,700	8,300	8,900	9,200	8,200	9,400	9,000	7,600	175
180	6,900	7,600	8,100	8,400	7,500	8,700	8,900	7,600	180
185	6,300	6,900	7,400	7,600	6,900	7,900	8,800	7,600	185
190	5,600	6,200	6,700	6,900	6,200	7,300	8,100	7,600	190
195	5,100	5,600	6,000	6,200	5,600	6,600	7,400	7,500	195
200	4,500	5,000	5,400	5,600	5,100	6,000	6,800	7,300	200
205	4,000	4,400	4,800	5,000	4,500	5,400	6,100	6,600	205
210	3,500	3,900	4,200	4,400	4,000	4,900	5,500	6,000	210
215	3,000	3,400	3,700	3,800	3,500	4,300	5,000	5,300	215
220	2,500	2,900	3,200	3,300	3,100	3,800	4,400	4,800	220
225	2,100	2,500	2,700		2,600	3,400	3,900	4,200	225
230			2,200		2,200	2,900	3,400	3,700	230
235						2,500	2,900	3,100	235
240							2,500	2,600	240
245								2,200	245

This information is not for crane operation. Operator must refer to in- cab information for crane operation. Rated lifting capacities shown on fully extended outriggers do not exceed 85% of tipping loads.

118,000 lb Counterweight - Fully Extended Outriggers - 360° Rotation (All Capacities Are Listed In Pounds)									
238.0 ft Main Boom Length									
Radius (ft)	96 ft Hydraulic Offset Fly				121 ft Hydraulic Offset Fly				Radius (ft)
	0°	15°	30°	45°	0°	15°	30°	45°	
55	8,000								55
60	8,000								60
65	8,000				6,000				65
70	8,000				6,000				70
75	8,000				6,000				75
80	8,000	8,300			6,000				80
85	8,000	8,300			6,000	6,200			85
90	8,000	8,300			6,000	6,200			90
95	8,000	8,300			6,000	6,200			95
100	8,000	8,300	9,100		6,000	6,200			100
105	8,000	8,300	8,900	8,300	6,000	6,200			105
110	8,000	8,300	8,800	8,100	6,000	6,200	7,200		110
115	8,000	8,300	8,600	8,000	6,000	6,200	7,000	6,700	115
120	8,000	8,300	8,500	7,900	6,000	6,200	6,900	6,500	120
125	8,000	8,300	8,300	7,700	6,000	6,200	6,700	6,400	125
130	8,000	8,300	8,200	7,600	6,000	6,200	6,600	6,300	130
135	8,000	8,300	8,100	7,500	6,000	6,200	6,400	6,100	135
140	8,000	8,300	7,900	7,400	6,000	6,200	6,300	6,000	140
145	8,000	8,300	7,800	7,300	6,000	6,200	6,200	5,900	145
150	8,000	8,300	7,700	7,200	6,000	6,200	6,000	5,700	150
155	8,000	8,300	7,600	7,100	6,000	6,200	5,900	5,600	155
160	8,000	8,200	7,400	7,000	6,000	6,200	5,800	5,500	160
165	8,000	8,100	7,300	6,900	6,000	6,100	5,700	5,400	165
170	8,000	7,900	7,200	6,800	6,000	6,000	5,500	5,300	170
175	8,000	7,800	7,100	6,700	6,000	5,800	5,400	5,200	175
180	7,400	7,700	7,000	6,600	6,000	5,700	5,300	5,100	180
185	6,700	7,500	6,900	6,600	6,000	5,600	5,200	5,000	185
190	6,100	7,200	6,800	6,500	5,900	5,500	5,100	4,900	190
195	5,500	6,500	6,700	6,400	5,300	5,300	5,000	4,800	195
200	4,900	5,900	6,600	6,300	4,700	5,200	4,900	4,700	200
205	4,400	5,300	6,100	6,300	4,100	5,100	4,800	4,600	205
210	3,800	4,800	5,500	6,000	3,600	4,600	4,700	4,500	210
215	3,400	4,300	5,000	5,400	3,100	4,100	4,600	4,500	215
220	2,900	3,800	4,400	4,900	2,700	3,600	4,300	4,400	220
225	2,500	3,300	3,900	4,300	2,200	3,100	3,800	4,300	225
230		2,800	3,400	3,800		2,600	3,300	3,800	230
235		2,400	2,900	3,300		2,200	2,800	3,300	235
240			2,500	2,800			2,400	2,800	240
245			2,100	2,300				2,300	245

This information is not for crane operation. Operator must refer to in- cab information for crane operation. Rated lifting capacities shown on fully extended outriggers do not exceed 85% of tipping loads.

162,000 lb Counterweight - Fully Extended Outriggers - 360° Rotation (All Capacities Are Listed In Pounds)									
238.0 ft Main Boom Length									
Radius (ft)	42 ft Hydraulic Offset Fly				71 ft Hydraulic Offset Fly				Radius (ft)
	0°	15°	30°	45°	0°	15°	30°	45°	
55	15,400				10,600				55
60	15,400	15,900			10,600				60
65	15,400	15,900			10,600				65
70	15,400	15,900			10,600				70
75	15,400	15,900	17,300		10,600	11,000			75
80	15,400	15,900	17,300	16,900	10,600	11,000			80
85	15,400	15,900	17,300	16,800	10,600	11,000			85
90	15,400	15,900	17,300	16,700	10,600	11,000	10,500		90
95	15,400	15,900	17,300	16,600	10,600	11,000	10,400		95
100	15,400	15,900	17,300	16,500	10,600	11,000	10,300	8,500	100
105	15,400	15,900	17,300	16,400	10,600	11,000	10,200	8,400	105
110	15,400	15,900	17,300	16,300	10,600	11,000	10,100	8,300	110
115	15,400	15,900	17,300	16,200	10,600	11,000	10,000	8,200	115
120	15,400	15,900	17,300	16,100	10,600	11,000	9,900	8,200	120
125	15,400	15,900	17,300	16,000	10,600	11,000	9,800	8,100	125
130	15,400	15,900	17,300	16,000	10,600	11,000	9,700	8,100	130
135	15,400	15,900	17,000	15,900	10,600	11,000	9,600	8,000	135
140	15,400	15,900	16,300	15,800	10,600	11,000	9,500	7,900	140
145	15,400	15,800	15,700	15,600	10,600	11,000	9,400	7,900	145
150	15,000	15,100	15,100	15,000	10,600	11,000	9,300	7,800	150
155	14,300	14,400	14,500	14,500	10,600	10,900	9,300	7,800	155
160	13,700	13,800	13,900	13,900	10,600	10,800	9,200	7,700	160
165	13,100	13,200	13,300	13,300	10,600	10,700	9,100	7,700	165
170	12,500	12,600	12,700	12,800	10,600	10,500	9,000	7,700	170
175	11,900	12,100	12,200	12,200	10,600	10,300	9,000	7,600	175
180	11,400	11,500	11,600	11,700	10,600	10,200	8,900	7,600	180
185	10,900	11,000	11,100	11,200	10,300	10,000	8,800	7,600	185
190	10,400	10,600	10,700	10,700	9,800	9,900	8,800	7,600	190
195	9,800	10,100	10,200	10,300	9,400	9,600	8,700	7,500	195
200	9,100	9,600	9,800	9,800	8,900	9,200	8,600	7,500	200
205	8,500	8,900	9,300	9,400	8,500	8,800	8,600	7,500	205
210	7,800	8,300	8,600	8,800	8,100	8,400	8,500	7,500	210
215	7,300	7,700	8,000	8,100	7,800	8,000	8,200	7,500	215
220	6,700	7,100	7,400	7,400	7,200	7,600	7,800	7,500	220
225	6,200	6,500	6,800	6,800	6,700	7,300	7,500	7,500	225
230	5,700	6,000	6,200		6,200	6,900	7,100	7,200	230
235	5,200	5,500	5,700		5,700	6,400	6,800	6,900	235
240	4,700	5,000	5,200		5,200	5,900	6,300	6,500	240
245	4,200	4,500	4,600		4,800	5,400	5,800	5,900	245
250	3,800	4,000	4,100		4,300	4,900	5,300	5,400	250
255	3,300	3,500	3,600		3,900	4,400	4,800	4,800	255
260	2,900	3,100			3,400	4,000	4,300		260
265	2,500	2,700			3,000	3,500	3,800		265
270					2,700	3,100	3,300		270
275					2,300	2,700	2,800		275
280						2,300	2,400		280

This information is not for crane operation. Operator must refer to in- cab information for crane operation. Rated lifting capacities shown on fully extended outriggers do not exceed 85% of tipping loads.

162,000 lb Counterweight - Fully Extended Outriggers - 360° Rotation (All Capacities Are Listed In Pounds)									
238.0 ft Main Boom Length									
Radius (ft)	96 ft Hydraulic Offset Fly				121 ft Hydraulic Offset Fly				Radius (ft)
	0°	15°	30°	45°	0°	15°	30°	45°	
60	8,000								60
65	8,000				6,000				65
70	8,000				6,000				70
75	8,000				6,000				75
80	8,000	8,300			6,000				80
85	8,000	8,300			6,000	6,200			85
90	8,000	8,300			6,000	6,200			90
95	8,000	8,300			6,000	6,200			95
100	8,000	8,300	9,100		6,000	6,200			100
105	8,000	8,300	8,900	8,300	6,000	6,200			105
110	8,000	8,300	8,800	8,100	6,000	6,200	7,200		110
115	8,000	8,300	8,600	8,000	6,000	6,200	7,000	6,700	115
120	8,000	8,300	8,500	7,900	6,000	6,200	6,900	6,500	120
125	8,000	8,300	8,300	7,700	6,000	6,200	6,700	6,400	125
130	8,000	8,300	8,200	7,600	6,000	6,200	6,600	6,300	130
135	8,000	8,300	8,100	7,500	6,000	6,200	6,400	6,100	135
140	8,000	8,300	7,900	7,400	6,000	6,200	6,300	6,000	140
145	8,000	8,300	7,800	7,300	6,000	6,200	6,200	5,900	145
150	8,000	8,300	7,700	7,200	6,000	6,200	6,000	5,700	150
155	8,000	8,300	7,600	7,100	6,000	6,200	5,900	5,600	155
160	8,000	8,200	7,400	7,000	6,000	6,200	5,800	5,500	160
165	8,000	8,100	7,300	6,900	6,000	6,100	5,700	5,400	165
170	8,000	7,900	7,200	6,800	6,000	6,000	5,500	5,300	170
175	8,000	7,800	7,100	6,700	6,000	5,800	5,400	5,200	175
180	8,000	7,700	7,000	6,600	6,000	5,700	5,300	5,100	180
185	8,000	7,500	6,900	6,600	6,000	5,600	5,200	5,000	185
190	8,000	7,400	6,800	6,500	6,000	5,500	5,100	4,900	190
195	8,000	7,300	6,700	6,400	5,900	5,300	5,000	4,800	195
200	7,900	7,200	6,600	6,300	5,800	5,200	4,900	4,700	200
205	7,500	7,100	6,500	6,300	5,600	5,100	4,800	4,600	205
210	7,100	7,000	6,500	6,200	5,500	5,000	4,700	4,500	210
215	6,800	6,900	6,400	6,200	5,400	4,900	4,600	4,500	215
220	6,400	6,700	6,300	6,100	5,300	4,800	4,500	4,400	220
225	6,100	6,400	6,200	6,000	5,100	4,700	4,400	4,300	225
230	5,700	6,000	6,200	6,000	4,800	4,600	4,300	4,200	230
235	5,400	5,700	5,900	5,900	4,500	4,500	4,200	4,100	235
240	5,000	5,400	5,600	5,700	4,200	4,400	4,200	4,100	240
245	4,500	5,100	5,300	5,400	3,900	4,200	4,100	4,000	245
250	4,000	4,800	5,000	5,100	3,600	4,000	4,000	3,900	250
255	3,600	4,300	4,700	4,800	3,300	3,700	3,900	3,900	255
260	3,200	3,800	4,300	4,400	2,800	3,400	3,600	3,800	260
265	2,800	3,400	3,800	3,900	2,400	3,100	3,400	3,500	265
270	2,400	2,900	3,300	3,400		2,700	3,100	3,200	270
275		2,500	2,900	2,900		2,300	2,700	2,900	275
280		2,100	2,400				2,300	2,400	280

This information is not for crane operation. Operator must refer to in- cab information for crane operation. Rated lifting capacities shown on fully extended outriggers do not exceed 85% of tipping loads.

This Page Intentionally Blank

This Page Intentionally Blank

Link-Belt Cranes Lexington, Kentucky www.linkbelt.com

®Link-Belt is a registered trademark. Copyright 2024 We are constantly improving our products and therefore reserve the right to change designs and specifications.