

# Technical Data

## Specifications & Capacities

# 65|RT

Telescopic Boom Rough Terrain Crane  
65 US ton  
60 metric ton



**CAUTION:** This material is supplied for reference use only. Operator must refer to in-cab Crane Rating Manual and Operator's Manual to determine allowable crane lifting capacities and assembly and operating procedures.

**Note:** Domestic model imagery shown.



# Table Of Contents

<b>Boom, Attachments, and Upper Structure</b> .....	<b>1</b>
Boom .....	1
Boom .....	1
Boom Head .....	1
Boom Elevation .....	1
Auxiliary Lifting Sheave – Optional .....	1
Hook Blocks and Balls – Optional .....	1
Fly – Optional .....	1
Fly Extensions – Optional .....	1
Operator’s Cab and Controls .....	1
Swing .....	3
Electrical .....	3
Load Hoist System .....	3
Load Hoist Performance .....	3
2M Main and Optional Auxiliary Winches .....	3
Hydraulic System .....	3
Counterweight .....	3
<b>Carrier</b> .....	<b>4</b>
General .....	4
Outriggers .....	4
Steering and Axles .....	4
Suspension .....	4
Tires and Wheels .....	4
Brakes .....	4
Electrical .....	4
Engine .....	4
Transmission .....	4
Fuel Tank .....	5
Hydraulic System .....	5
Maximum Speed .....	5
Gradeability .....	5
Pump Drive .....	5
Paint .....	5
<b>Axle Loads</b> .....	<b>5</b>
<b>General Dimensions</b> .....	<b>6</b>
<b>Working Range Diagram</b> .....	<b>7</b>
<b>Boom Extend Modes</b> .....	<b>8</b>
<b>Main Boom Lift Capacity Charts – Imperial</b> .....	<b>9</b>
Fully Extended Outriggers – 360° Rotation .....	9
On Tires – Stationary – Boom Centered Over Front Between Tire Tracks .....	10
On Tires – Pick & Carry (Creep) – Boom Centered Over Front .....	11
On Tires – Stationary – 360° Rotation .....	11

<b>Fly Attachment Lift Capacity Charts – Optional</b> .....	<b>12</b>
Fully Extended Outriggers – 360° Rotation .....	12
115 ft Main Boom Length – 2° Fly Offset .....	12
115 ft Main Boom Length – 15° Fly Offset .....	12
Fully Extended Outriggers – 360° Rotation .....	13
115 ft Main Boom Length – 30° Fly Offset .....	13
115 ft Main Boom Length – 45° Fly Offset .....	13
<b>Main Boom Lift Capacity Charts – 75% – Metric</b> .....	<b>14</b>
Fully Extended Outriggers – 360° Rotation .....	14
On Tires – Stationary – Boom Centered Over Front Between Tire Tracks .....	15
On Tires – Pick & Carry (Creep) – Boom Centered Over Front .....	16
On Tires – Stationary – 360° Rotation .....	16
<b>Fly Attachment Lift Capacity Charts – Optional</b> .....	<b>17</b>
Fully Extended Outriggers – 360° Rotation .....	17
35.05 m Main Boom Length – 2° Fly Offset .....	17
35.05 m Main Boom Length – 15° Fly Offset .....	17
Fully Extended Outriggers – 360° Rotation .....	18
35.05 m Main Boom Length – 30° Fly Offset .....	18
35.05 m Main Boom Length – 45° Fly Offset .....	18
<b>Main Boom Lift Capacity Charts – 85% – Metric</b> .....	<b>19</b>
5.4t Counterweight – Fully Extended Outriggers – 360° Rotation .....	19
On Tires – Stationary – Boom Centered Over Front Between Tire Tracks .....	20
On Tires – Pick & Carry (Creep) – Boom Centered Over Front Between Tire Tracks .....	21
On Tires – Stationary – 360° Rotation .....	21
<b>Fly Attachment Lift Capacity Charts – 85% – Optional</b> .....	<b>22</b>
Fully Extended Outriggers – 360° Rotation .....	22
35.05m Main Boom Length – 2° Fly Offset .....	22
35.05m Main Boom Length – 15° Fly Offset .....	22
Fully Extended Outriggers – 360° Rotation .....	23
115 ft Main Boom Length – 30° Fly Offset .....	23
115 ft Main Boom Length – 45° Fly Offset .....	23

# Boom, Attachments, and Upper Structure

## ■ Boom

**Design** – Four section, formed construction of extra high tensile steel consisting of one base section and three telescoping sections. The first telescoping section extends independently by means of one double-acting, single stage hydraulic cylinder with integrated holding valves. The second and third telescoping sections extend proportionally by means of one double-acting, single stage cylinder with integrated holding valves and cables. A mechanical hose reel maintains tension on the hydraulic hose during boom telescope operation.

## Boom

- 38 ft–115 ft (11.6–35.0m) four section full power boom
- Two mode boom extension: *A-max* mode provides superior capacities by extending the first telescoping section to 63 ft 8 in (19.4m). Standard mode synchronizes all the telescoping sections proportionally to 115 ft (35.0m). Controlled from the operator's cab.
- Mechanical boom angle indicator
- Maximum tip height for *A-max* mode is 73 ft 6 in (22.4m) and standard mode is 123 ft 9 in (37.7m).

## Boom Head

- Four 16.5 in (41.9cm) root diameter sealed nylon sheaves to handle up to eight parts of line
- Easily removable wire rope guards
- Rope dead end lugs on each side of the boom head
- Boom head is designed for quick-reeve of the hook block

## Boom Elevation

- One double acting hydraulic cylinder with integral holding valve
- Boom elevation:  $-3^{\circ}$  to  $78^{\circ}$

## Auxiliary Lifting Sheave – Optional

- Single 16.5 in (41.9m) root diameter nylon sheave
- Easily removable wire rope guards
- Does not affect erection of the fly or use of the main head sheaves

## Hook Blocks and Balls – Optional

- 8 ton (7.3t) swivel hook ball with safety latch
- 27 ton (25t) 1 sheave quick-reeve hook block with safety latch
- 60 ton (55t) 3 sheave quick-reeve hook block with safety latch
- 90 ton (82t) 5 sheave quick-reeve hook block with safety latch

## Fly – Optional

- 35 ft (10.7m) one piece lattice fly, stowable, offsettable to  $2^{\circ}$ ,  $15^{\circ}$ ,  $30^{\circ}$ , and  $45^{\circ}$ . Maximum tip height is 158 ft (48.2m).
- 35 ft–58 ft (10.7–17.7m) two piece bi-fold lattice fly, stowable, offsettable to  $2^{\circ}$ ,  $15^{\circ}$ ,  $30^{\circ}$ , and  $45^{\circ}$ . Maximum tip height is 180 ft 5 in (55.0m).

## Fly Extensions – Optional

- One 16 ft (4.9m) lattice extensions, equipped with two 16.5 in (41.9cm) root diameter nylon sheaves, to be mounted between the boom head and fly options. Maximum tip height is 196 ft (59.7m).
- Two 16 ft (4.9m) lattice extensions, one equipped with two 16.5 in (41.9cm) root diameter nylon sheaves, to be mounted between the boom head and fly options. Maximum tip height is 211 ft 7 in (64.5m).

## ■ Operator's Cab and Controls

**Environmental Cab** – Fully enclosed, one person cab of galvaneal steel structure with acoustical insulation  
Equipped with:

- Air Conditioning – Integral with cab heating system utilizing the same ventilation outlets
- Tinted and tempered glass windows
- Extra-large fixed front window with windshield wiper and washer
- Swing up roof window with windshield wiper and washer
- Sliding left side door with large fixed window
- Sliding rear and right side windows for ventilation
- Six way adjustable, cushioned seat with seat belt and storage compartment
- Diesel fired warm-water heater with air ducts for front windshield defroster and cab floor
- Defroster fan for the front window
- Bubble level
- Circulating fan
- Adjustable sun visor
- Dome light
- Cup holder
- Fire extinguisher
- Left side viewing mirror
- Two position travel swing lock

**Engine Dependent Heater – Optional** – Flameless, warm-water system that does not have a separate fuel tank

**Steering Column** – Pedestal type with tilt and telescope functions for operator comfort. Column includes the following controls and indicators:

Left and right levers include:

- Horn button
- Turn signal switch
- Driving light switch
- Transmission direction switch

Panel mounted switches for:

- Travel park brake
- Steer mode selector
- 2/4 wheel drive/range selector
- Transmission gear selector
- Hazard flasher

Panel mounted indicator/warning lights for:

- Transmission temperature
- Turn signals
- Rear wheel offset
- Emergency steer – optional

**Armrest Controls** – Two dual axis hydraulic joystick controllers or optional single axis hydraulic controllers for:

- Swing
- Boom hoist
- Main rear winch
- Auxiliary front winch – optional
- Drum rotation indication
- Drum rotation indicator activation switch
- Winch high/low speed and disable switch(es)
- Telescopic override switch
- Warning horn button
- Swing park brake
- Engine throttle Lock
- Heating controls
- Air conditioning

**Outrigger Controls** – Wired hand held control box gives the operator the freedom to view operation while setting the outriggers.

#### Foot Controls

- Boom telescope
- Engine Throttle
- Swing brake
- Service brake

**Right Front Console** – Controls and indicators for:

- |                                     |   |
|-------------------------------------|---|
| • Engine ignition                   | • Two (2) 12 volt power connections               |
| • Function disable                  | • E–stop switch                                   |
| • Front windshield wiper and washer | • Ignition switch on indicator light              |
| • Cab floodlights                   | • Boom floodlight                                 |
| • Warning horn                      | • Boom floodlight Controller – optional           |
| • Console dimmer switch             | • Amber Strobe Light                              |
| • Bubble level                      | • Third wrap set and activate switches – optional |
| • Emergency engine Shutdown         |   |

**Cab Instrumentation** – Ergonomically positioned LCD display, CANBUS instrumentation for crane operation including:

- |   |                          |
|---|--------------------------|
| • Tachometer                                    | • Swing park brake light |
| • Engine water temperature                      | • Engine speed           |
| • Fuel level                                    | • Engine oil pressure    |
| • Hydraulic oil temperature                     | • Battery voltage        |
| • Stop engine                                   | • Fuel rate (gal/hr)     |
| • Check engine                                  | • Engine load            |
| • Wait to start                                 | • Engine Diagnostics     |
| • Diesel exhaust fluid (DEF) level              |                          |
| • Engine air filter high restriction light      |                          |
| • Regeneration light <sup>(1)</sup>             |                          |
| • Regeneration inhibit switch <sup>(1)</sup>    |                          |
| • Regeneration initiate switch <sup>(1)</sup>   |                          |
| • High exhaust temperature light <sup>(1)</sup> |                          |
| • Regeneration disabled light <sup>(1)</sup>    |                          |

<sup>(1)</sup> (Tier 4f / Stage IV engine only)

**Camera Display** – Located on dash console

- Displays right side of upper
- Displays main and auxiliary winches
- Displays rear view

**Diagnostic Center** – Located behind the operator's seat.

- Engine diagnostic
- RCL CANBUS diagnostic
- Crane Controller USB diagnostic
- RCL controller USB diagnostic

**Link-Belt Pulse** – The Link-Belt in-house designed, total crane operating system that utilizes the display as a readout and operator interface for the following systems:

- **Rated Capacity Limiter (RCL)** – LCD graphic audio – visual warning system integrated into the dash with anti – two block and function limiter. Operating data includes:
  - Crane configuration
  - Boom length
  - Boom head height
  - Allowed load and % of allowed load
  - RCL light bar
  - Outrigger position sensing
  - Drum rotation direction indication
  - Boom angle
  - Radius of load
  - Actual load
  - Wind speed
  - Highlighted unit of measurement on working screen
  - Telescope operation displayed in real time
  - Third wrap indicator
  - Diagnostics
  - Slew Angle
  - Operator settable alarms (include):
    - Maximum and minimum boom angles
    - Maximum tip height
    - Maximum boom length
    - Swing left/right positions
    - Operator defined area (imaginary plane)
- **Internal RCL Light Bar** Visually informs the operator when crane is approaching maximum load capacity with a series of green, yellow, and red lights.

- **Telematics** – Cellular based data logging and monitoring system that provides:
  - Location and operational settings
  - Routine maintenance
  - Crane and engine monitoring
  - Diagnostic and fault codes

**Integrated Third Wrap Indicator – Optional** – Link-Belt's Pulse color display visually and audibly warns the operator when the wire rope is on the first/bottom layer and when the wire rope is down to the last three wraps.

**Integrated Third Wrap Function Kickout – Optional** – Link-Belt's Pulse color display visually and audibly warns the operator when the wire rope is on the first/bottom layer and provides a function kickout when the wire rope is down to the last three wraps.

**External RCL Light Bar – Optional** – Visually informs the ground crew when crane is approaching maximum load capacity with a series of green, yellow, and red lights.

## ■ Swing

**Motor/Planetary** – Bi-directional hydraulic swing motor mounted to a planetary reducer for 360° continuous smooth swing at 2.0 rpm

**Swing Park Brake** – 360°, electric over hydraulic, (spring applied/hydraulic released) multi-disc brake mounted on the speed reducer. Operated by a switch from the operator's cab.

**Swing Brake** – 360°, foot operated, hydraulic applied disc brake mounted to the speed reducer

**Swing Lock** – Two-position swing lock (boom over front or rear) operated from the operator's cab

**360° Positive Swing Lock – Optional** – Meets New York City requirement

## ■ Electrical

**Swing Alarm** – Audio warning device signals when the upper is swinging.

### Lights

- Two LED working lights on front of the cab
- One amber strobe beacon on top of the cab
- LED Boom floodlight – Single – optional
- LED Boom floodlight – Dual – optional
- Boom floodlight – High intensity remote controlled – optional

## ■ Load Hoist System

### Load Hoist Performance

Main (Rear) and Auxiliary (Front) Winches – 3/4 in (19mm) Rope										
Layer	Maximum Line Pull		Normal Line Speed		High Line Speed		Layer		Total	
	lb	kN	ft/min	m/min	ft/min	m/min	ft	m	ft	m
1	16,883	75.10	183	55.7	322	98.1	86	26.2	86	26.2
2	15,253	67.85	203	61.8	356	108.5	96	29.3	182	55.5
3	13,910	61.87	222	67.6	390	118.9	105	32.0	287	87.5
4	12,785	56.87	242	73.7	425	129.5	114	34.7	401	122.2
5	11,828	52.61	261	79.5	459	139.9	123	37.5	524	159.7
6	---	---	---	---	---	---	133	40.5	657	200.3

Wire Rope Application		Diameter		Type	Maximum Permissible Load	
		in	mm		lb	kg
Main (Rear) Winch	Standard	3/4	19	37x7 Category 1 E.E.I.P.S. – Right Lang Lay Galvanized (Type KC)	16,000	7 257.5
	Optional	3/4	19	34x7 Category 1 E.E.I.P.S. – Right Lang Lay (Type YB)	16,000	7 257.5
Auxiliary (Front) Winch	Standard	3/4	19	37x7 Category 1 E.E.I.P.S. – Right Lang Lay Galvanized (Type KC)	16,000	7 257.5
	Optional	3/4	19	34x7 Category 1 E.E.I.P.S. – Right Lang Lay (Type YB)	16,000	7 257.5

### 2M Main and Optional Auxiliary Winches

- Axial piston, full and half displacement (2-speed) motors driven through planetary reduction unit for positive control under all load conditions
- Grooved lagging
- Power up/down mode of operation
- Drum rotation indicator(s)
- Drum diameter: 13 in (33.0cm)
- Rope length:
  - Front: 500 ft (152.4m)
  - Rear: 600 ft (182.9m)
- Maximum rope storage: 657 ft (200.3m)
- Terminator style socket and wedge
- Hoist drum cable followers – optional

## ■ Hydraulic System

**Counterbalance Valves** – All hoist motors, boom extend cylinders, and boom hoist cylinders are equipped with counterbalance valves to provide load lowering and prevents accidental load drop when hydraulic power is suddenly reduced.

## ■ Counterweight

Total of 12,000 lb (5.4t) of counterweight pinned to the upper structure frame with capacities for the 12,000 lb (5.4t) configuration

# Carrier

## General

- 10 ft 7 in (3.22m) wide
- 14 ft 7 in (4.45m) wheelbase (centerline of first axle to centerline of second axle)

**Frame** – Box–type, torsion resistant, welded construction made of high tensile steel. Equipped with front and rear towing and tie–down lugs, tow connections, and access ladders.

## Outriggers

**Boxes** – Two double box, front and rear welded to carrier frame

**Beams and Jacks** – Four single stage beams with Confined Area Lifting Capacities (CALC™) provide selectable outrigger extensions of full, intermediate, and retracted. Hydraulically controlled from the operator’s cab with integral check valves.

**Pontoons** – Four quick release, 24 in (61 cm), steel pontoons with contact area of 452 in<sup>2</sup> (2 916cm<sup>2</sup>) can be stored for road travel in storage racks on the carrier.

**Main Jack Reaction** – 90,500 lb (41 050kg) force and 203 psi (1 400kPa) ground bearing pressure

## Steering and Axles

**Steering** – Four independent modes consisting of two wheel front, two wheel rear, four wheel, and crab. Each mode is controlled from the steering wheel and is selected by a switch in the operator’s cab.

**Drive** – Two modes: 4 x 2 and 4 x 4 for off highway travel

**Axle 1** – Steered, non–driven for 4 x 2 and steered, driven for 4 x 4

**Axle 2** – Steered, driven

## Suspension

**Front** – Rigid mount to the carrier frame

**Rear** – The rear axle is suspended on the oscillation cylinders with motion of the axle controlled by a four bar linkage system. The oscillation cylinders lockout when the upper structure rotates 2.5° past centerline.

- Hydro–gas rear suspension – optional

## Tires and Wheels

**Front and Rear** – Four (single) 26.5 x 25–26 ply rating, earthmover type tires on steel disc wheels

- Spare tires and wheels – optional

## Brakes

**Service** – Full hydraulic, dual circuit, and disc type brakes on all wheel ends

**Parking/Emergency** – Spring applied type, acting on front axle

## Electrical

Two batteries provide 12 volt starting and operation

### Lights (LED)

- All lights are LED.
- Front lighting includes two main headlights and two parking/directional indicators.
- Side lighting includes two parking/directional indicators per side.
- Rear lighting includes two parking/directional indicators, two parking/brake lights, and two reversing lights.
- Other equipment includes hazard/warning system, cab light, instrument panel light, and signal horn.

## Engine

Specification	Cummins QSB	
Numbers of Cylinders	6	6
Cycle	4	4
Emissions Compliance Level:	Tier 4f/Stage IV <sup>(1)</sup>	Tier 3/Stage IIIA <sup>(2)</sup>
Bore and Stroke: inch (mm)	4.21 x 4.88 (107 x 124)	4.21 x 4.88 (107 x 124)
Piston Displacement: in <sup>3</sup> (L)	408 (6.7)	408 (6.7)
Max. Brake Horse power: hp (kW)	270 (201) @ 2,000 rpm	270 (201) @ 2,000 rpm
	260 (194) @ 2,200 rpm	260 (194) @ 2,200 rpm
Peak Torque: ft lb (Nm)	730 (990) @ 1,500 rpm	730 (990) @ 1,500 rpm
Electric/starting systems: volts	12/12	12/12
Alternator: amps	160	160
Crankcase Capacity: qt (L)	15 (14.2)	15 (14.2)
<ul style="list-style-type: none"> <li>• Water/fuel separator w/ heater and water in fuel (WIF) sensor</li> <li>• 120–volt block heater – Tier 4f / Stage IV</li> <li>• 220–volt block heater – Tier 3 / Stage IIIA</li> <li>• Grid heater – 200 amp</li> <li>• Mechanically driven, variable speed, engine controlled, viscous fan clutch</li> <li>• <sup>(1)</sup> Can only be sold and/or operated where Tier 4f and Stage IV off–highway emission standards are accepted.</li> <li>• <sup>(2)</sup> Can only be sold and/or operated where Tier 3 and Stage IIIA off–highway emission standards are accepted.</li> </ul>		

## Transmission

**Powershift** – Three speed with high/low range for 6 forward and 6 reverse gears. Front axle disconnect for two or four wheel drive. Front axle disconnects in high range.



## ■ Fuel Tank

One 75 gallon (283.9L) capacity tank  
 Diesel Exhaust Fluid (DEF) tank

- One 5 gal (18.9L) capacity tank

## ■ Hydraulic System

All functions are hydraulically powered allowing positive precise control with independent or simultaneous operation of all functions.

### Main Pumps

- One two section fixed displacement gear pump for the front/rear winches and boom hoist circuits.
- One two section fixed displacement gear pump for the swing/telescope, power steering/outrigger/telescope, service brake, and oscillation circuits.
- One single section gear pump for the hydraulic oil cooler fan drive.
- Combined pump capacity of 147 gpm (556.5Lpm)

**Hydraulic Reservoir** – 153 gal (579.2L) capacity equipped with sight level gauge. Diffusers built in for deaeration.

**Filtration** – One 10 micron, full flow line filter in the control circuit. All oil is filtered prior to return to reservoir.

Accessible for easy filter replacement.

## ■ Maximum Speed

25 mph (40.2 km/h)

## ■ Gradeability

Counterweight	Ascending		Descending		Side	
	Degrees	% Grade	Degrees	% Grade	Degrees	% Grade
0	20.0	36%	11.0	19%	5.0	9%
12,000 lbs (5.4t)	17.0	31%	17.0	31%		

## Axle Loads

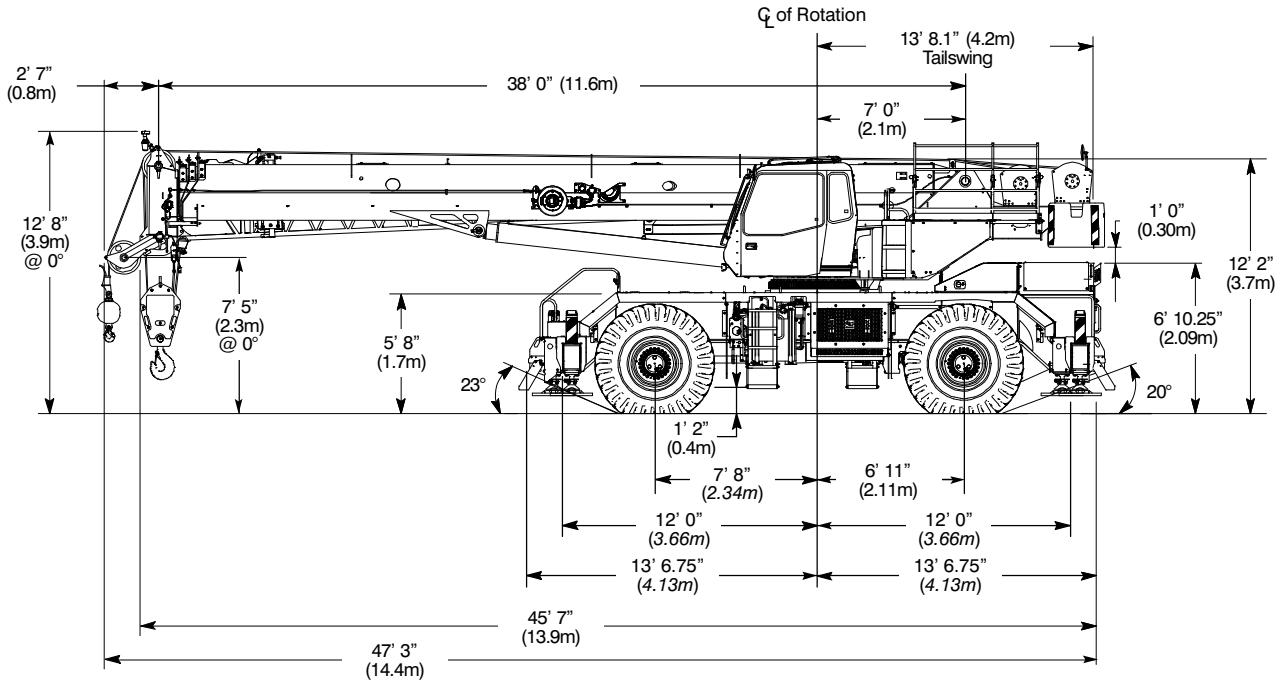
Base Crane: Includes: 12,000 lbs counterweight, two winches with rope and followers, 35–58 ft offset fly, floodlights, auxiliary lifting sheave, 60T hook block, and 8T hook ball		Gross Vehicle Weight		Front Axles		Rear Axles	
		lb	kg	lb	kg	lb	kg
	Tier 4f / Stage IV	91,759	41 621	48,426	21 966	43,333	19 656
	Tier 3 / Stage IIIA	91,702	41 595	48,711	22 095	42,991	19 500
Remove	35–58 ft (10.67–17.68m) offsettable fly – stowed	–2,332	–1 058	–3,184	–1 444	–852	–387
	Auxiliary Lifting Sheave	–110	–50	–297	–135	187	85
	60T Hook Block	–1,109	–503	–2,883	–1 308	1,774	805
	8T Hook Ball	–320	–145	–832	–377	512	232

Tire	Maximum Allowable Axle Load @ 25 mph (40.2km/h)
26.5 x 25 (26–PR)	51,040 lb (23 151kg)

(1) Adjust gross vehicle weight and axle loading according to component weight.

Note: All weights are ±3%.

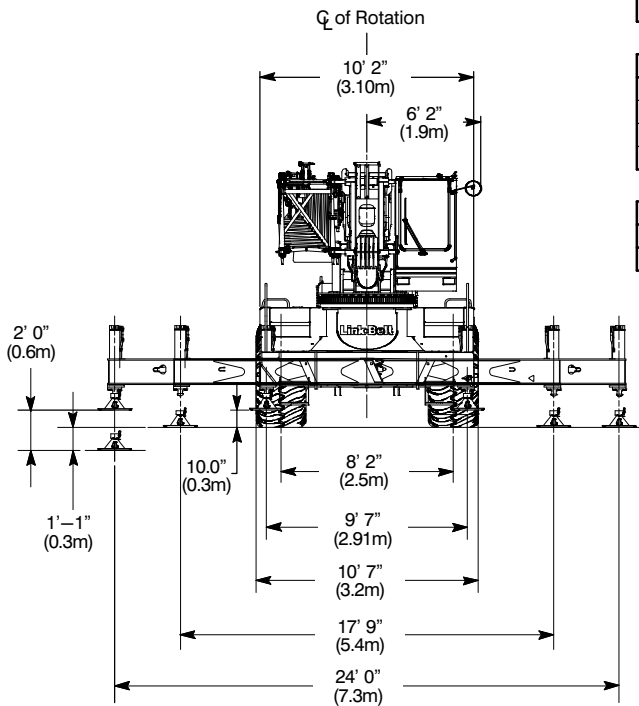
# General Dimensions



Turning Radius – Front Wheel (4x2) Steering	English	Metric
Wall to wall over carrier	43' 2"	13.2m
Wall to wall over boom attachment	53' 3"	16.2m
Curb to curb	41' 6"	12.6m
Centerline of tire	40' 0"	12.2m

Turning Radius – All Wheel (4x4) Steering	English	Metric
Wall to wall over carrier	26' 6"	8.1m
Wall to wall over boom attachment	38' 0"	11.6m
Curb to curb	24' 10"	7.6m
Centerline of tire	23' 6"	7.2m

Tail Swing	English	Metric
With counterweight	13' 8.14"	4.2m
Without counterweight	N/A	N/A

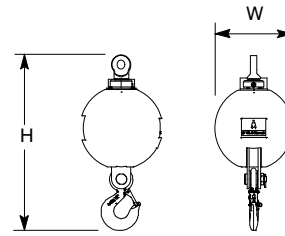


Not To Scale

# Hook Balls

## 8 Ton (7.3mt) Swivel Hook Ball\* ①

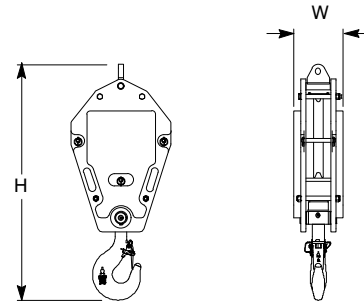
Width	13.56 in	(0.34m)
Height	28.94 in	(0.74m)
Weight	145 lb	(320kg)



# Hook Blocks

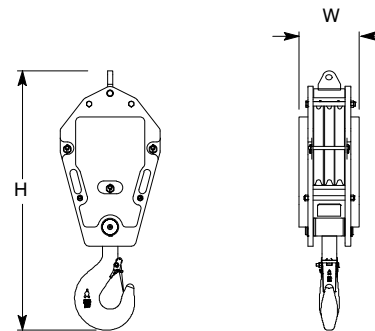
## 27.5 Ton (25mt) 1–Sheave Hook Block\* ①

Width	13.46 in	(0.34m)
Height	52.87 in	(1.34m)
Weight	800 lb	(362.9kg)



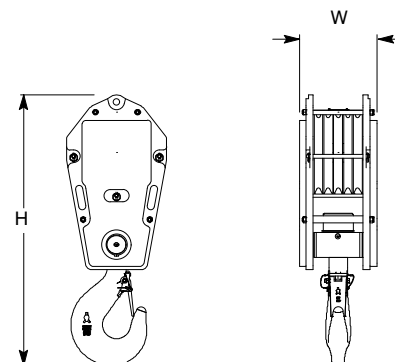
## 60 Ton (55mt) 3–Sheave Hook Block\* ①

Width	13.46 in	(0.34m)
Height	58.16 in	(1.48m)
Weight	1,150 lb	(521.6kg)



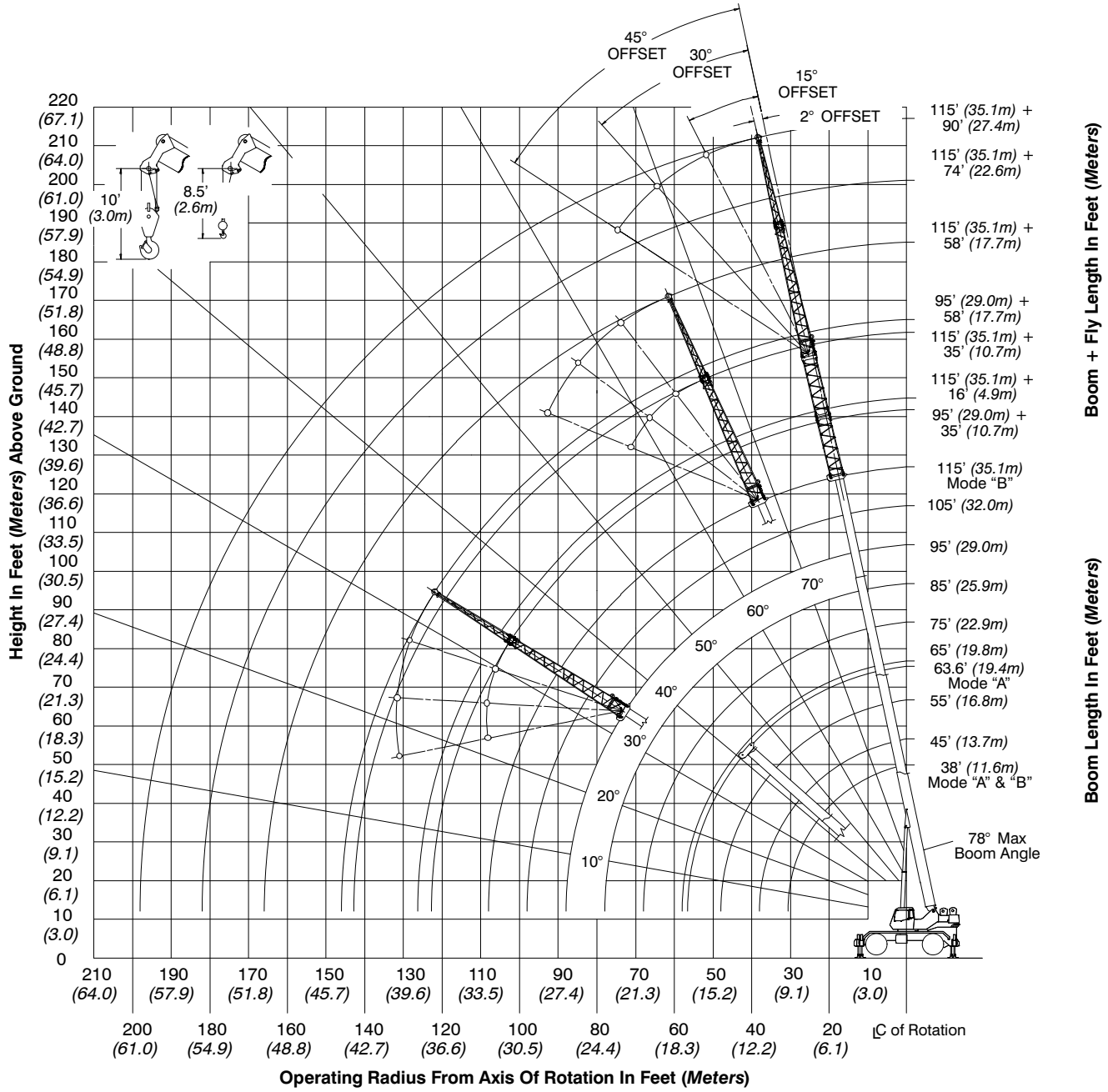
## 90 Ton (82mt) 5–Sheave Hook Block\* ①

Width	17.40 in	(0.44m)
Height	60.62 in	(1.54m)
Weight	1,750 lb	(793.8kg)



Number inside black circle “①” = # of components  
\* – Optional equipment

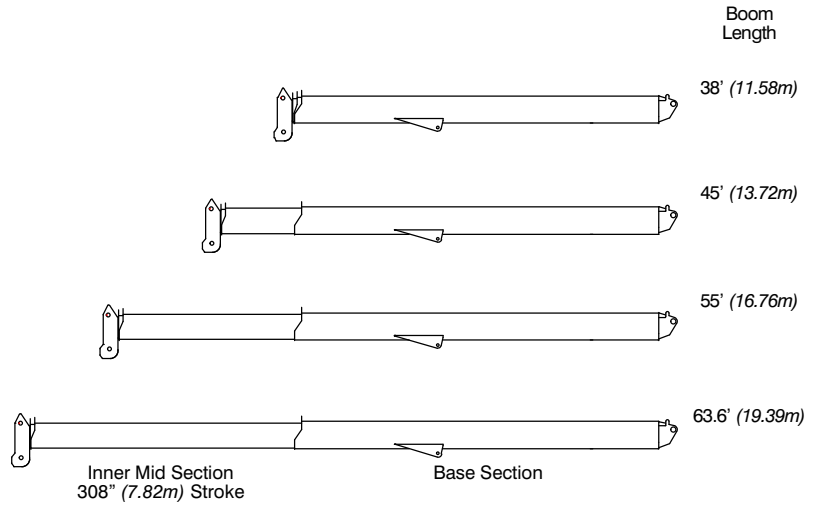
# Working Range Diagram



# Boom Extend Modes

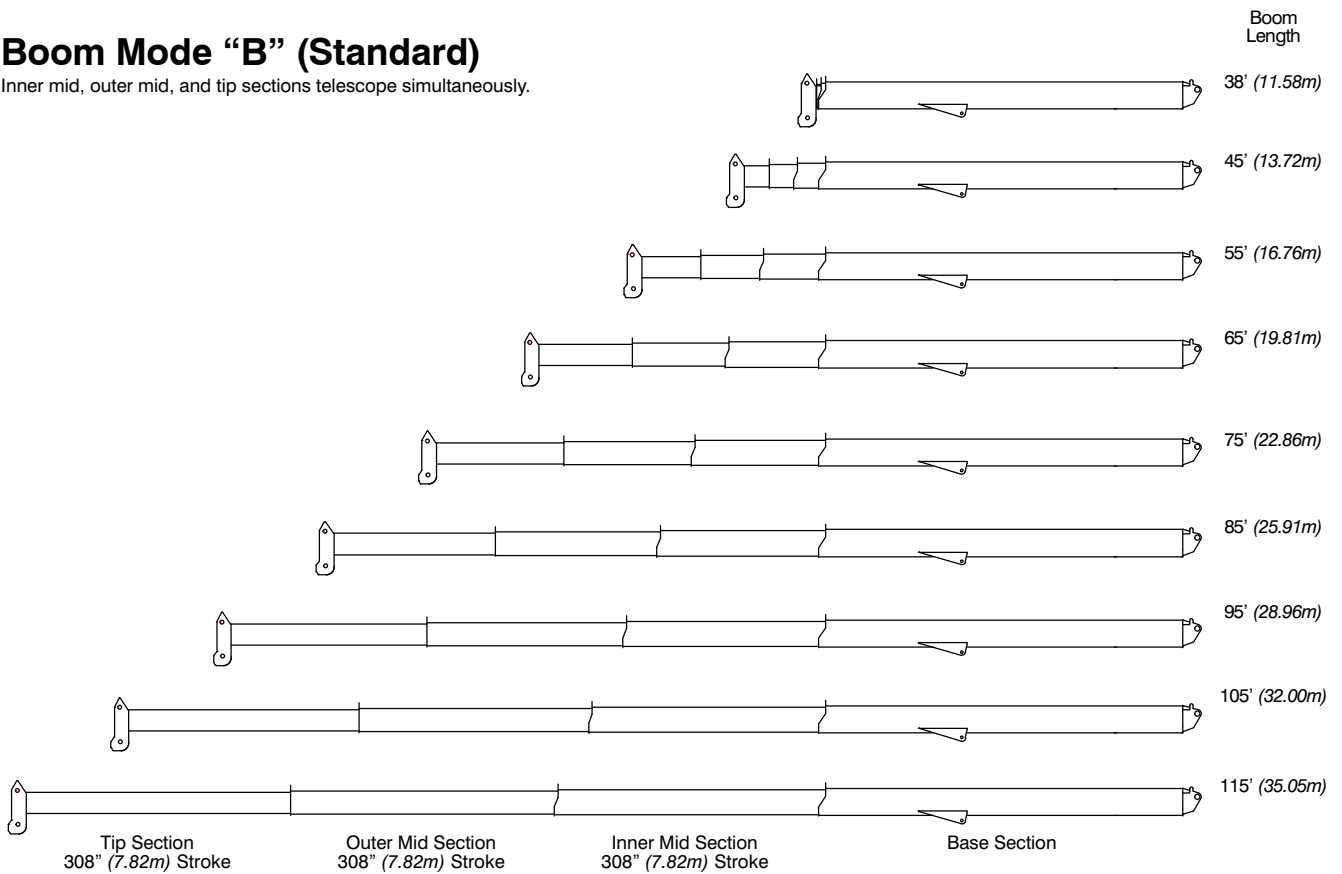
## Boom Mode “A” (A-max)

Only inner mid section telescopes.



## Boom Mode “B” (Standard)

Inner mid, outer mid, and tip sections telescope simultaneously.



# Main Boom Lift Capacity Charts – Imperial

Fully Extended Outriggers – 360° Rotation (All Capacities Are Listed In Pounds)										
Radius (ft)	Boom Length (ft)									Radius (ft)
	38	45	55	63.6/65	75	85	95	105	115	
9	130,000									9
10	120,000	108,200	106,100							10
12	108,900	104,600	98,100	71,900**						12
15	91,600	91,200	86,200	71,900**	54,000					15
20	67,100	66,800	66,400	66,100**	54,000	55,900	46,400			20
25	52,000	52,600	53,000	53,000	53,700	49,900	41,800	36,200	28,100	25
30	41,800	42,500	43,000	43,400	43,600	43,800	37,800	34,200	28,100	30
35		33,300	33,900	34,200	34,400	34,600	34,000	30,700	28,100	35
40			26,400	26,700	26,900	27,100	27,200	27,300	25,700	40
45			21,200	21,600	21,800	22,000	22,100	22,100	22,200	45
50				17,700	18,000	18,100	18,200	18,300	18,300	50
55				14,800	15,000	15,100	15,200	15,300	15,400	55
60					12,700	12,800	12,900	13,000	13,000	60
65					10,800	11,000	11,100	11,200	11,200	65
70						9,400	9,500	9,600	9,700	70
75						8,100	8,200	8,300	8,300	75
80							7,100	7,100	7,200	80
85							6,100	6,200	6,200	85
90								5,300	5,400	90
95								4,600	4,600	95
100									4,000	100
105									3,400	105

\*\* 63.6 A—max Mode

This information is not for crane operation. Operator must refer to the in-cab information for crane operation. Rated lifting capacities shown on fully extended outriggers do not exceed 85% of the tipping loads and on tires do not exceed 75% of the tipping loads.

<b>On Tires – Stationary – Boom Centered Over Front Between Tire Tracks</b> (All Capacities Are Listed In Pounds)							
<b>Radius (ft)</b>	<b>Boom Length (ft)</b>						<b>Radius (ft)</b>
	<b>38</b>	<b>45</b>	<b>55</b>	<b>65</b>	<b>75</b>	<b>85</b>	
10	64,000						10
12	56,800	56,400					12
15	48,500	48,900	39,500				15
20	38,400	39,100	39,500	30,400			20
25	29,000	29,700	30,100	30,400	22,400		25
30	20,600	21,400	21,900	22,200	22,400	17,200	30
35		16,000	16,600	16,900	17,100	17,200	35
40			12,900	13,300	13,400	13,600	40
45			10,200	10,600	10,800	11,000	45
50				8,500	8,800	8,900	50
55				6,800	7,100	7,300	55
60					5,700	5,900	60
65					4,600	4,800	65
70						3,900	70
75						3,100	75

This information is not for crane operation. Operator must refer to the in-cab information for crane operation. Rated lifting capacities shown on fully extended outriggers do not exceed 85% of the tipping loads and on tires do not exceed 75% of the tipping loads.

<b>On Tires – Pick &amp; Carry (Creep) – Boom Centered Over Front</b> (All Capacities Are Listed In Pounds)							
Radius (ft)	Boom Length (ft)						Radius (ft)
	38	45	55	65	75	85	
10	63,000						10
12	55,200	54,900					12
15	46,300	46,700	39,500				15
20	35,700	36,100	36,600	30,400			20
25	28,300	28,800	29,300	29,600	22,400		25
30	20,600	21,400	21,900	22,200	22,400	17,200	30
35		16,000	16,600	16,900	17,100	17,200	35
40			12,900	13,300	13,400	13,600	40
45			10,200	10,600	10,800	11,000	45
50				8,500	8,800	8,900	50
55				6,800	7,100	7,300	55
60					5,700	5,900	60
65					4,600	4,800	65
70						3,900	70
75						3,100	75

<b>On Tires – Stationary – 360° Rotation</b> (All Capacities Are Listed In Pounds)							
Radius (ft)	Boom Length (ft)						Radius (ft)
	38	45	55	65	75	85	
10	47,700						10
12	39,000	39,500					12
15	26,800	27,400	27,800				15
20	16,200	16,800	17,300	17,600			20
25	10,500	11,100	11,700	12,000	12,200		25
30	6,800	7,500	8,100	8,400	8,600	8,800	30
35		5,000	5,600	5,900	6,200	6,300	35
40			3,800	4,100	4,400	4,600	40
45			2,400	2,800	3,000	3,200	45
50				1,700	1,900	2,100	50
55					1,100	1,200	55

This information is not for crane operation. Operator must refer to the in-cab information for crane operation. Rated lifting capacities shown on fully extended outriggers do not exceed 85% of the tipping loads and on tires do not exceed 75% of the tipping loads.



## Fly Attachment Lift Capacity Charts – Optional

Fully Extended Outriggers – 360° Rotation (All Capacities Are Listed In Pounds)									
115 ft Main Boom Length 2° Fly Offset					115 ft Main Boom Length 15° Fly Offset				
Radius (ft)	Fly Length (ft)				Radius (ft)	Fly Length (ft)			
	35	58	74	90		35	58	74	90
35	13,100				35				
40	13,100				40				
45	13,100	8,800			45	11,800			
50	12,900	8,700	7,200		50	11,500			
55	12,600	8,400	7,200	5,500	55	11,200			
60	12,300	8,200	7,200	5,500	60	11,000	7,100		
65	12,000	8,000	7,000	5,400	65	10,700	6,900	5,900	
70	10,600	7,700	6,500	5,000	70	10,400	6,700	5,600	4,500
75	9,200	7,500	6,100	4,700	75	9,800	6,500	5,300	4,200
80	8,000	7,200	5,800	4,300	80	8,600	6,300	5,000	3,900
85	7,000	7,000	5,400	4,100	85	7,500	6,100	4,700	3,600
90	6,200	6,700	5,100	3,800	90	6,600	5,900	4,500	3,400
95	5,400	5,900	4,900	3,600	95	5,800	5,700	4,300	3,200
100	4,700	5,200	4,600	3,300	100	5,100	5,600	4,100	3,000
105	4,100	4,600	4,400	3,100	105	4,400	5,200	3,900	2,800
110	3,600	4,100	4,000	2,900	110	3,900	4,600	3,700	2,700
115	3,100	3,600	3,500	2,800	115	3,300	4,000	3,500	2,500
120	2,600	3,100	3,000	2,600	120	2,900	3,500	3,400	2,400
125	2,200	2,700	2,600	2,500	125	2,400	3,100	3,000	2,200
130	1,900	2,300	2,200	2,200	130	2,000	2,700	2,600	2,100
135	1,500	2,000	1,900	1,900	135	1,600	2,300	2,200	2,000
140	1,200	1,600	1,500	1,500	140	1,300	1,900	1,800	1,900
145		1,400	1,200	1,200	145		1,600	1,500	1,500
150		1,100	1,000		150		1,300	1,200	1,200
155		800			155		1,000	900	900

This information is not for crane operation. Operator must refer to the in-cab information for crane operation. Rated lifting capacities shown on fully extended outriggers do not exceed 85% of the tipping loads and on tires do not exceed 75% of the tipping loads.

Fully Extended Outriggers – 360° Rotation (All Capacities Are Listed In Pounds)									
115 ft Main Boom Length 30° Fly Offset					115 ft Main Boom Length 45° Fly Offset				
Radius (ft)	Fly Length (ft)				Radius (ft)	Fly Length (ft)			
	35	58	74	90		35	58	74	90
40					40				
45					45				
50					50				
55	9,900				55				
60	9,700				60	8,900			
65	9,500				65	8,800			
70	9,400				70	8,700			
75	9,200	5,600			75	8,600			
80	9,100	5,500	4,200		80	8,600			
85	8,000	5,300	4,000	3,200	85	8,400	4,900		
90	7,000	5,200	3,800	3,000	90	7,300	4,800	3,400	
95	6,200	5,100	3,700	2,900	95	6,400	4,700	3,300	2,600
100	5,400	5,000	3,500	2,700	100	5,600	4,700	3,200	2,500
105	4,700	4,900	3,400	2,500	105	4,900	4,700	3,100	2,300
110	4,100	4,900	3,200	2,400	110	4,200	4,600	3,000	2,200
115	3,500	4,500	3,100	2,300	115	3,600	4,600	2,900	2,100
120	3,000	3,900	3,000	2,100	120		4,200	2,800	2,000
125	2,500	3,400	2,900	2,000	125		3,700	2,700	1,900
130	2,100	3,000	2,800	1,900	130		3,200	2,700	1,800
135		2,500	2,500	1,800	135		2,700	2,600	1,700
140		2,200	2,200	1,700	140		2,200	2,300	1,600
145		1,800	1,800	1,600	145			1,900	1,600
150		1,400	1,400	1,500	150			1,600	1,500
155		1,100	1,100	1,200	155				1,400
160			800	900	160				1,000

This information is not for crane operation. Operator must refer to the in-cab information for crane operation. Rated lifting capacities shown on fully extended outriggers do not exceed 85% of the tipping loads and on tires do not exceed 75% of the tipping loads.

## Main Boom Lift Capacity Charts – 75% – Metric

Fully Extended Outriggers – 360° Rotation (All Capacities Are Listed In Kilograms)										
Radius (m)	Boom Length (m)									Radius (m)
	11.58	13.7	16.8	19.39/19.8	22.9	25.9	29.0	32.0	35.05	
2.5	60 000									2.5
3	54 800	49 000	48 100							3
3.5	50 650	48 650	45 550	32 600**						3.5
4	46 900	45 250	42 300	32 600**						4
4.5	42 250	42 050	39 500	32 600**	24 450					4.5
5	37 800	37 600	37 100	32 600**	24 450					5
6	31 000	30 850	30 650	30 500**	24 450	25 550	21 150			6
7	26 050	25 900	25 750	25 650**	24 450	23 700	19 750			7
8	22 300	22 600	22 850	23 000	23 100	22 050	18 500	16 400	12 800	8
9	18 200	18 500	18 700	18 850	18 950	19 050	17 300	15 650	12 800	9
10		15 050	15 300	15 450	15 550	15 600	15 650	14 550	12 800	10
12			10 900	11 050	11 100	11 200	11 250	11 250	11 300	12
14			8 150	8 300	8 400	8 450	8 500	8 500	8 550	14
16				6 450	6 550	6 600	6 650	6 650	6 700	16
18					5 250	5 300	5 350	5 400	5 400	18
20					4 250	4 300	4 350	4 400	4 400	20
22						3 500	3 550	3 600	3 600	22
24							2 900	2 950	3 000	24
26							2 400	2 450	2 450	26
28								2 000	2 050	28
30									1 650	30
32									1 350	32

\*\* 19.39 A—max Mode

This information is not for crane operation. Operator must refer to the in-cab information for crane operation. Rated lifting capacities shown on fully extended outriggers do not exceed 75% of the tipping loads and on tires do not exceed 65% of the tipping loads.

<b>On Tires – Stationary – Boom Centered Over Front Between Tire Tracks (All Capacities Are Listed In Kilograms)</b>							
<b>Radius (m)</b>	<b>Boom Length (m)</b>						<b>Radius (m)</b>
	<b>11.58</b>	<b>13.7</b>	<b>16.8</b>	<b>19.8</b>	<b>22.9</b>	<b>25.9</b>	
3	29 000						3
3.5	26 500						3.5
4	24 200	24 050					4
4.5	22 250	22 450	17 900				4.5
5	20 550	20 750	17 900				5
6	17 700	17 950	17 900	13 750			6
7	13 350	13 600	13 750	13 750			7
8	10 400	10 700	10 900	11 000	10 150		8
9	8 350	8 650	8 850	8 950	9 000	7 800	9
10		7 100	7 350	7 450	7 500	7 550	10
12			5 250	5 400	5 450	5 500	12
14			3 800	4 000	4 100	4 150	14
16				3 000	3 100	3 150	16
18					2 350	2 400	18
20					1 750	1 850	20
22						1 400	22

This information is not for crane operation. Operator must refer to the in-cab information for crane operation. Rated lifting capacities shown on fully extended outriggers do not exceed 75% of the tipping loads and on tires do not exceed 65% of the tipping loads.

<b>On Tires – Pick &amp; Carry (Creep) – Boom Centered Over Front</b> (All Capacities Are Listed In Kilograms)							
<b>Radius (m)</b>	<b>Boom Length (m)</b>						<b>Radius (m)</b>
	<b>11.58</b>	<b>13.7</b>	<b>16.8</b>	<b>19.8</b>	<b>22.9</b>	<b>25.9</b>	
3	28 550						3
3.5	25 900						3.5
4	23 400	23 550					4
4.5	21 250	21 450	17 900				4.5
5	19 400	19 600	17 900				5
6	16 400	16 650	16 850	13 750			6
7	13 350	13 600	13 750	13 750			7
8	10 400	10 700	10 900	11 000	10 150		8
9	8 350	8 650	8 850	8 950	9 000	7 800	9
10		7 100	7 350	7 450	7 500	7 550	10
12			5 250	5 400	5 450	5 500	12
14			3 800	4 000	4 100	4 150	14
16				3 000	3 100	3 150	16
18					2 350	2 400	18
20					1 750	1 850	20
22						1 400	22

<b>On Tires – Stationary – 360° Rotation</b> (All Capacities Are Listed In Kilograms)							
<b>Radius (m)</b>	<b>Boom Length (m)</b>						<b>Radius (m)</b>
	<b>11.58</b>	<b>13.7</b>	<b>16.8</b>	<b>19.8</b>	<b>22.9</b>	<b>25.9</b>	
3	21 550						3
3.5	16 500						3.5
4	13 200	13 400					4
4.5	10 850	11 050	11 200				4.5
5	9 050	9 300	9 450				5
6	6 550	6 800	7 000	7 100			6
7	4 900	5 150	5 350	5 450			7
8	3 700	3 950	4 150	4 300	4 350		8
9	2 800	3 050	3 250	3 400	3 500	3 550	9
10		2 350	2 550	2 700	2 800	2 850	10
12			1 550	1 700	1 800	1 850	12
14			850	1 000	1 100	1 150	14
16				450	550	650	16

This information is not for crane operation. Operator must refer to the in-cab information for crane operation. Rated lifting capacities shown on fully extended outriggers do not exceed 75% of the tipping loads and on tires do not exceed 65% of the tipping loads.

## Fly Attachment Lift Capacity Charts – Optional

Fully Extended Outriggers – 360° Rotation (All Capacities Are Listed In Kilograms)									
35.05 m Main Boom Length 2° Fly Offset					35.05 m Main Boom Length 15° Fly Offset				
Radius (m)	Fly Length (m)				Radius (m)	Fly Length (m)			
	10.67	17.68	22.56	27.43		10.67	17.68	22.56	27.43
12	5 900				12				
14	5 900	4 000			14	5 350			
16	5 750	3 850	3 250		16	5 150			
18	5 600	3 750	3 250	2 500	18	5 000			
20	4 750	3 600	3 150	2 400	20	4 850	3 100	2 650	
22	3 950	3 450	2 900	2 200	22	4 200	3 000	2 450	1 950
24	3 300	3 300	2 650	2 000	24	3 550	2 850	2 300	1 800
26	2 800	3 000	2 450	1 850	26	2 950	2 750	2 150	1 650
28	2 350	2 550	2 300	1 700	28	2 500	2 650	2 000	1 500
30	1 950	2 150	2 100	1 550	30	2 100	2 400	1 850	1 400
32	1 650	1 850	1 800	1 400	32	1 750	2 050	1 750	1 300
34	1 350	1 550	1 500	1 300	34	1 450	1 750	1 650	1 200
36	1 100	1 300	1 250	1 200	36	1 200	1 450	1 450	1 100
38	900	1 050	1 050	1 050	38	950	1 250	1 200	1 000
40	700	900	850	850	40	750	1 000	950	950
42	550	700	650	650	42	550	800	800	800
44		550	500	500	44		650	600	600
46		400			46		500	450	450
48					48		350		

This information is not for crane operation. Operator must refer to the in-cab information for crane operation. Rated lifting capacities shown on fully extended outriggers do not exceed 75% of the tipping loads and on tires do not exceed 65% of the tipping loads.

Fully Extended Outriggers – 360° Rotation (All Capacities Are Listed In Kilograms)									
35.05 m Main Boom Length 30° Fly Offset					35.05 m Main Boom Length 45° Fly Offset				
Radius (m)	Fly Length (m)				Radius (m)	Fly Length (m)			
	10.67	17.68	22.56	27.43		10.67	17.68	22.56	27.43
18	4 450				18				
20	4 300				20	4 000			
22	4 200				22	3 950			
24	3 750	2 500			24	3 900			
26	3 150	2 400	1 800	1 450	26	3 300	2 200		
28	2 650	2 350	1 700	1 350	28	2 800	2 150	1 550	
30	2 250	2 300	1 600	1 250	30	2 350	2 150	1 450	1 150
32	1 900	2 250	1 550	1 150	32	1 950	2 100	1 400	1 050
34	1 550	1 950	1 450	1 050	34	1 600	2 100	1 350	1 000
36	1 250	1 650	1 400	1 000	36		1 750	1 300	900
38	1 000	1 350	1 300	900	38		1 450	1 250	850
40	800	1 150	1 150	850	40		1 200	1 200	800
42		900	900	800	42		950	1 000	750
44		700	700	750	44			800	700
46		550	550	550	46			600	650
48			400	400	48				450

This information is not for crane operation. Operator must refer to the in-cab information for crane operation. Rated lifting capacities shown on fully extended outriggers do not exceed 75% of the tipping loads and on tires do not exceed 65% of the tipping loads.

# Main Boom Lift Capacity Charts – 85% – Metric

5.4t Counterweight – Fully Extended Outriggers – 360° Rotation (All Capacities Are Listed In Kilograms)											
Radius (m)	Boom Length (m)										Radius (m)
	11.58	13.7	16.8	19.39	19.8	22.9	25.9	29.0	32.0	35.05	
2.5	60 000										2.5
3	54 800	49 000	48 100								3
3.5	50 650	48 650	45 550	32 600							3.5
4	46 900	45 250	42 300	32 600	24 000						4
4.5	42 250	42 050	39 500	32 600	24 000	24 050					4.5
5	37 800	37 600	37 100	32 600	24 000	24 050					5
6	31 000	30 850	30 650	30 500	24 000	24 050	25 550	21 150			6
7	26 050	25 900	25 750	25 650	24 000	24 050	23 750	19 750			7
8	22 300	22 600	22 850	21 950	23 000	23 100	22 050	18 500	16 400	12 800	8
9	19 300	19 650	19 900	19 000	20 050	20 150	20 200	17 300	15 650	12 800	9
10		17 100	17 350	16 100	17 500	17 600	17 650	16 150	14 550	12 800	10
12			12 350	11 250	12 500	12 600	12 650	12 700	12 750	11 800	12
14			9 250	8 250	9 400	9 500	9 600	9 650	9 700	9 700	14
16				6 200	7 350	7 450	7 500	7 550	7 600	7 600	16
18						5 950	6 000	6 050	6 050	6 100	18
20						4 800	4 900	4 950	4 950	5 000	20
22							4 000	4 050	4 100	4 100	22
24								3 300	3 350	3 400	24
26								2 700	2 750	2 800	26
28									2 300	2 300	28
30										1 900	30
32										1 550	32

\*\* 19.39 A—max Mode

This information is not for crane operation. Operator must refer to the in-cab information for crane operation. Rated lifting capacities shown on fully extended outriggers do not exceed 85% of the tipping loads and on tires do not exceed 75% of the tipping loads.



<b>On Tires – Stationary – Boom Centered Over Front Between Tire Tracks (All Capacities Are Listed In Kilograms)</b>								
<b>Radius (m)</b>	<b>Boom Length (m)</b>							<b>Radius (m)</b>
	<b>11.58</b>	<b>13.7</b>	<b>16.8</b>	<b>19.39</b>	<b>19.8</b>	<b>22.9</b>	<b>25.9</b>	
3	29 000							3
3.5	26 500							3.5
4	24 200	24 050						4
4.5	22 250	22 450	17 900					4.5
5	20 550	20 750	17 900					5
6	17 700	17 950	17 900	12 600	13 750			6
7	14 950	15 250	15 550	12 600	13 750			7
8	12 000	12 350	12 550	11 550	12 650	10 150		8
9	9 650	10 000	10 250	9 250	10 350	10 150	7 800	9
10		8 200	8 500	7 550	8 600	8 700	7 800	10
12			6 050	5 250	6 200	6 300	6 350	12
14			4 400	3 650	4 600	4 700	4 800	14
16				2 550	3 450	3 550	3 650	16
18						2 700	2 800	18
20						2 050	2 150	20
22							1 600	22

This information is not for crane operation. Operator must refer to the in-cab information for crane operation. Rated lifting capacities shown on fully extended outriggers do not exceed 85% of the tipping loads and on tires do not exceed 75% of the tipping loads.

<b>On Tires – Pick &amp; Carry (Creep) – Boom Centered Over Front Between Tire Tracks</b> (All Capacities Are Listed In Kilograms)								
Radius (m)	Boom Length (m)							Radius (m)
	11.58	13.7	16.8	19.39	19.8	22.9	25.9	
3	28 550							3
3.5	25 900							3.5
4	23 400	23 550						4
4.5	21 250	21 450	17 900					4.5
5	19 400	19 600	17 900					5
6	16 450	16 650	16 850	12 600	13 750			6
7	14 050	14 300	14 500	12 600	13 750			7
8	12 000	12 350	12 550	11 550	12 650	10 150		8
9	9 650	10 000	10 250	9 250	10 350	10 150	7 800	9
10		8 200	8 500	7 550	8 600	8 700	7 800	10
12			6 050	5 250	6 200	6 300	6 350	12
14			4 400	3 650	4 600	4 700	4 800	14
16				2 550	3 450	3 550	3 650	16
18						2 700	2 800	18
20						2 050	2 150	20
22							1 600	22

<b>On Tires – Stationary – 360° Rotation</b> (All Capacities Are Listed In Kilograms)								
Radius (m)	Boom Length (m)							Radius (m)
	11.58	13.7	16.8	19.39	19.8	22.9	25.9	
3	21 950							3
3.5	18 950							3.5
4	15 250	15 450						4
4.5	12 500	12 750	12 950					4.5
5	10 450	10 750	10 900					5
6	7 550	7 850	8 050	7 150	8 200			6
7	5 650	5 900	6 200	5 350	6 300			7
8	4 300	4 550	4 800	4 050	5 000	5 050		8
9	3 250	3 550	3 800	3 050	3 950	4 050	4 100	9
10		2 700	3 000	2 250	3 150	3 250	3 300	10
12			1 800	1 100	1 950	2 100	2 150	12
14			1 000		1 150	1 250	1 350	14
16						650	750	16

This information is not for crane operation. Operator must refer to the in-cab information for crane operation. Rated lifting capacities shown on fully extended outriggers do not exceed 85% of the tipping loads and on tires do not exceed 75% of the tipping loads.

## Fly Attachment Lift Capacity Charts – 85% – Optional

Fully Extended Outriggers – 360° Rotation (All Capacities Are Listed In Kilograms)									
35.05m Main Boom Length 2° Fly Offset					35.05m Main Boom Length 15° Fly Offset				
Radius (m)	Fly Length (m)				Radius (m)	Fly Length (m)			
	10.67	17.68	22.56	27.43		10.67	17.68	22.56	27.43
12	5 900				12				
14	5 900	4 000			14	5 350			
16	5 750	3 850	3 250		16	5 150			
18	5 600	3 750	3 250	2 500	18	5 000			
20	5 400	3 600	3 150	2 400	20	4 850	3 100	2 650	
22	4 500	3 450	2 900	2 200	22	4 700	3 000	2 450	1 950
24	3 750	3 300	2 650	2 000	24	4 000	2 850	2 300	1 800
26	3 150	3 150	2 450	1 850	26	3 400	2 750	2 150	1 650
28	2 650	2 900	2 300	1 700	28	2 850	2 650	2 000	1 500
30	2 200	2 450	2 100	1 550	30	2 400	2 550	1 850	1 400
32	1 850	2 100	2 000	1 400	32	2 000	2 350	1 750	1 300
34	1 550	1 750	1 700	1 300	34	1 650	2 000	1 650	1 200
36	1 250	1 500	1 400	1 200	36	1 350	1 700	1 550	1 100
38	1 000	1 250	1 150	1 100	38	1 100	1 400	1 350	1 000
40	800	1 000	950	950	40	850	1 150	1 100	950
42		800	750	700	42		950	900	900
44		650	550	550	44		750	700	700
46					46		550	500	500
48					48				

This information is not for crane operation. Operator must refer to the in-cab information for crane operation. Rated lifting capacities shown on fully extended outriggers do not exceed 85% of the tipping loads and on tires do not exceed 75% of the tipping loads.

<b>Fully Extended Outriggers – 360° Rotation</b> <b>(All Capacities Are Listed In Kilograms)</b>									
<b>115 ft Main Boom Length</b> <b>30° Fly Offset</b>					<b>115 ft Main Boom Length</b> <b>45° Fly Offset</b>				
Radius (m)	Fly Length (m)				Radius (m)	Fly Length (m)			
	10.67	17.68	22.56	27.43		10.67	17.68	22.56	27.43
18	4 450				18				
20	4 300				20	4 000			
22	4 200				22	3 950			
24	4 100	2 500			24	3 900			
26	3 600	2 400	1 800	1 450	26	3 750	2 200		
28	3 050	2 350	1 700	1 350	28	3 150	2 150	1 550	
30	2 550	2 300	1 600	1 250	30	2 650	2 150	1 450	1 150
32	2 150	2 250	1 550	1 150	32	2 200	2 100	1 400	1 050
34	1 750	2 200	1 450	1 050	34	1 850	2 100	1 350	1 000
36	1 450	1 850	1 400	1 000	36		2 000	1 300	900
38	1 150	1 550	1 300	900	38		1 700	1 250	850
40	900	1 300	1 250	850	40		1 350	1 200	800
42		1 050	1 050	800	42		1 100	1 150	750
44		800	800	750	44			900	700
46		600	600	650	46			650	700
48				500	48				550

This information is not for crane operation. Operator must refer to the in-cab information for crane operation. Rated lifting capacities shown on fully extended outriggers do not exceed 85% of the tipping loads and on tires do not exceed 75% of the tipping loads.

**This Page Intentionally Blank**

**This Page Intentionally Blank**

**This Page Intentionally Blank**

**Link-Belt Cranes**    Lexington, Kentucky    [www.linkbelt.com](http://www.linkbelt.com)

®Link-Belt is a registered trademark. Copyright 2024. We are constantly improving our products and therefore reserve the right to change designs and specifications.